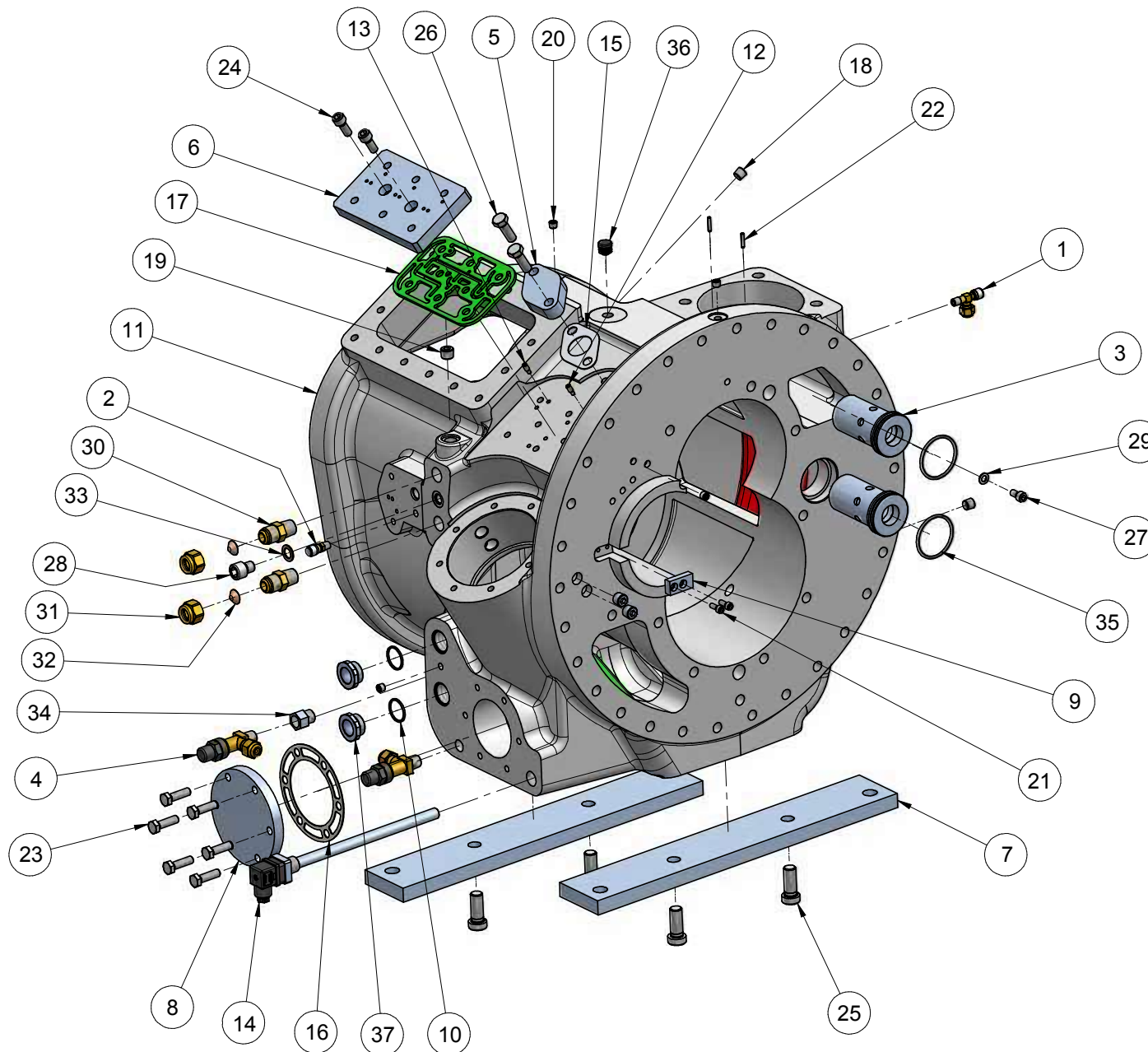


134-S-240_270_300

ATTENZIONE: il presente disegno è di esclusiva proprietà REFCOMP. E' fatto divieto di riproduzione e di divulgazione anche parziale secondo quanto regolato dalle norme vigenti.

ATTENTION: the present drawing is exclusively ownership of REFCOMP. Is forbidden to reproduce and to disclose, even if partially, the present document in conformity to law regulation in force.



134-S-240_270_300 Rotor housing

ATTENZIONE: il presente disegno è di esclusiva proprietà REFCOMP.
E' fatto divieto di riproduzione e di divulgazione anche parziale secondo
quanto regolato dalle norme vigenti.

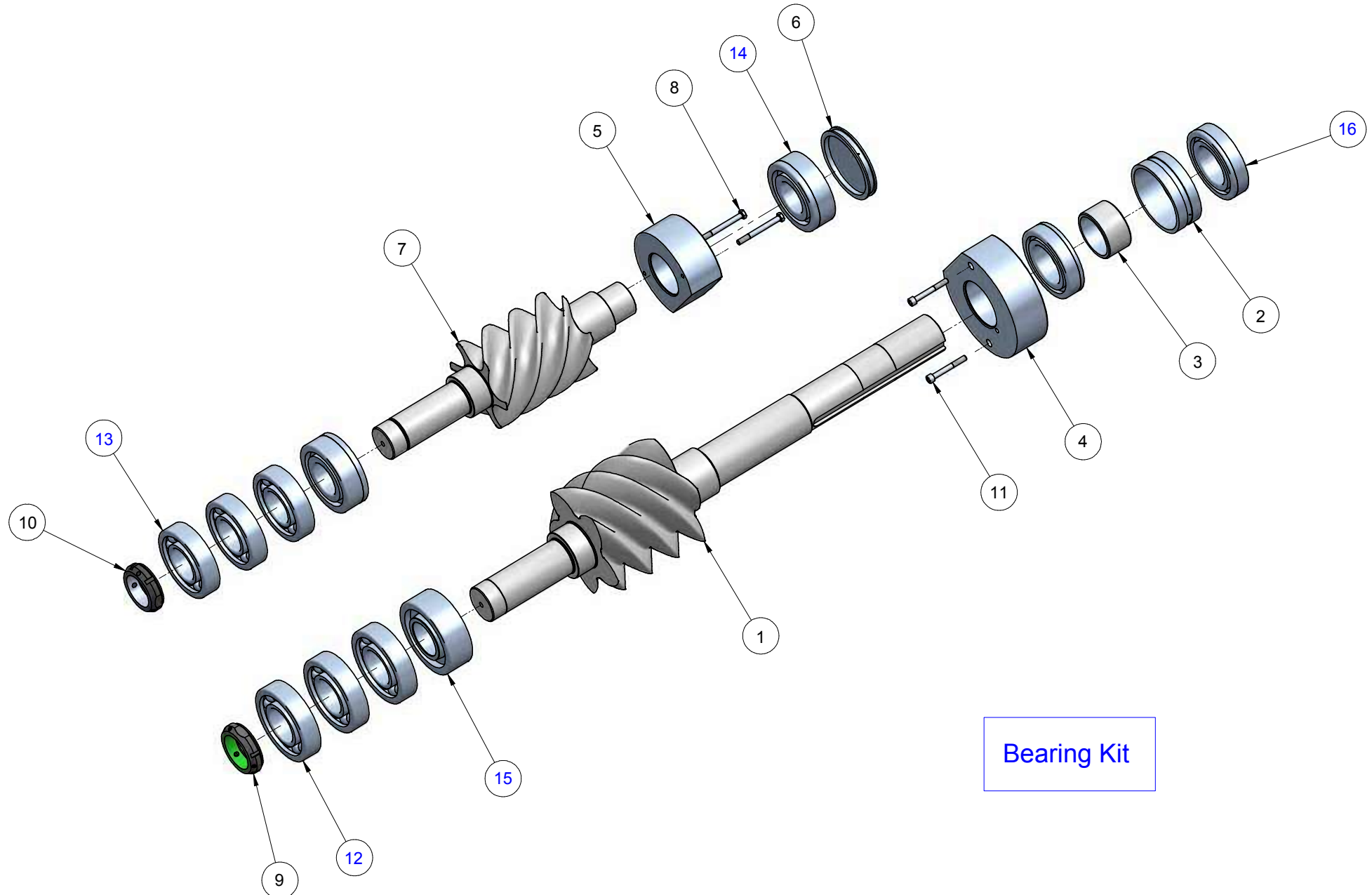
ATTENTION: the present drawing is exclusively ownership of REFCOMP.
Is forbidden to reproduce and to disclose, even if partially, the present
document in conformity to law regulation in force.

Pos	Code	Description	Serial number	Note	Q.ty
2	500263	Straight connection 1/8"NPT-1/4"SAE			1
3	502580	Safety valve 30bar Ø50			2
1	503076	Connection 1/8"NPT-1/4"-1/4"-1/4"SAE			1
4	503337	Discharge oil shut-off valve 3/8"NPT assembly			2
5	510007	Closing oval plate l=70			1
6	519614	Solenoid valve plate			1
7	519664	Compressor supporting plate			2
8	519698	Closing cap Ø133			1
9	519702	Slide valve tongue 20mm			1
10	520664	Aluminium ring Ø28.6xØ31.8x2			2
11	534211	Rotor housing			1
12	540715	M6 nozzle Ø0.5			1
13	540716	M6 nozzle Ø0.75			1
14	583110	Crankcase heater 230V 275W Ø14			1
15	591030	Oval flange gasket l=70			1
16	592800	Oil filter plug gasket			1
17	592833	Step load gasket 'L4'			1
18	610050	Plug 1/4"NPT			2
19	610250	Plug 3/8"NPT			4
20	610680	Plug 1/8"NPT			4
21	611120	Screw M6x16			2
26	611410	Screw M12x40			2
22	611810	Elastic pin Ø4x20			2
23	612150	Galvanized screw M10x35			6
24	612200	Galvanized screw M10x25			2
25	613420	Screw M16x40			4
27	614477	Screw M8x16			1
28	614552	Screw M14x16			1
29	614580	Washer Ø8.4x15x1.5			1
30	640631	Straight connection 1/2"NPT-5/8"SAE			2
31	640633	Nut 5/8"SAE-16			2
32	640639	Cooper cap 5/8"SAE			2
33	640650	Copper washer Ø14xØ22x1.5			1
34	640658	Exstension male/female 3/8"NPT			1
35	690900	O-ring OR4212			2
36	691137	Plastic plug MP85-18			1
37	700210	Sight glass cover 1"1/8-18UNEF			2

134-S-240_270_300 Rotor housing

www.refcomp.it
spareparts@refcomp.it

Model: 134-S-240_270_300



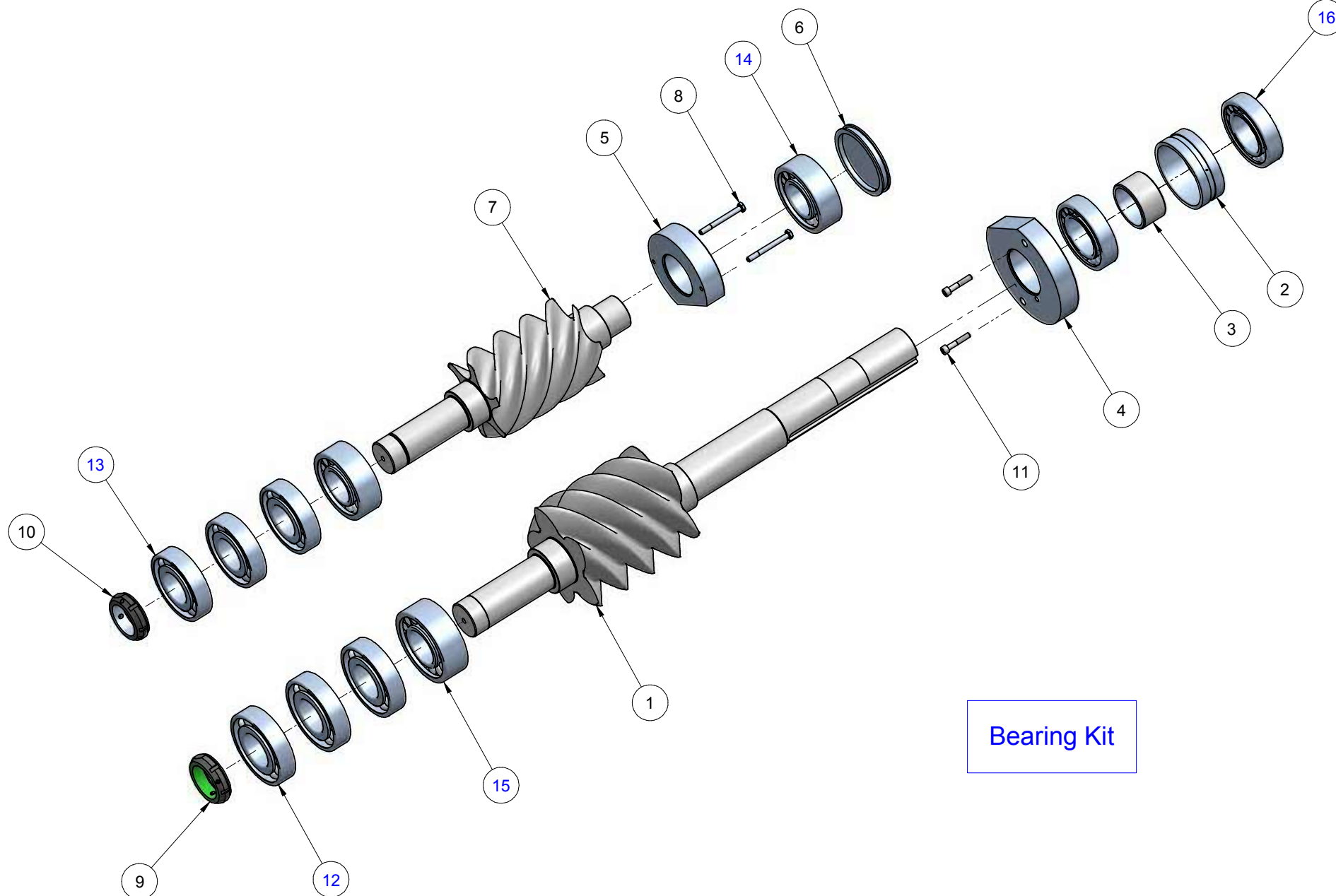
134-S-240 Rotor

ATTENZIONE: il presente disegno è di esclusiva proprietà REFCOMP. E' fatto divieto di riproduzione e di divulgazione anche parziale secondo quanto regolato dalle norme vigenti.

ATTENTION: the present drawing is exclusively ownership of REFCOMP. Is forbidden to reproduce and to disclose, even if partially, the present document in conformity to law regulation in force.

Pos	Code	Description	Serial number	Note	Q.ty
Kit	304114	Bearings kit			1
1	503422	Male rotor			1
2	519669	Bearing external spacer Ø150x54			1
3	519670	Bearing internal spacer Ø85x54			1
4	519673	Rotor male bush H=75			1
5	519676	Rotor female bush H=75			1
6	519721	Bearing cap Ø150x19			1
7	534205	Female rotor			1
8	611390	Screw M10x100			2
9	613690	Block nut M75x2			1
10	614220	Block nut M70x2			1
11	614466	Screw M10x80			2
12	614596	Ball bearing			3
13	614597	Ball bearing			3
14	614598	Cylindrical roller bearing			2
15	614599	Cylindrical roller bearing			1
16	614600	Cylindrical roller bearing			2

Model: 134-S-240_270_300

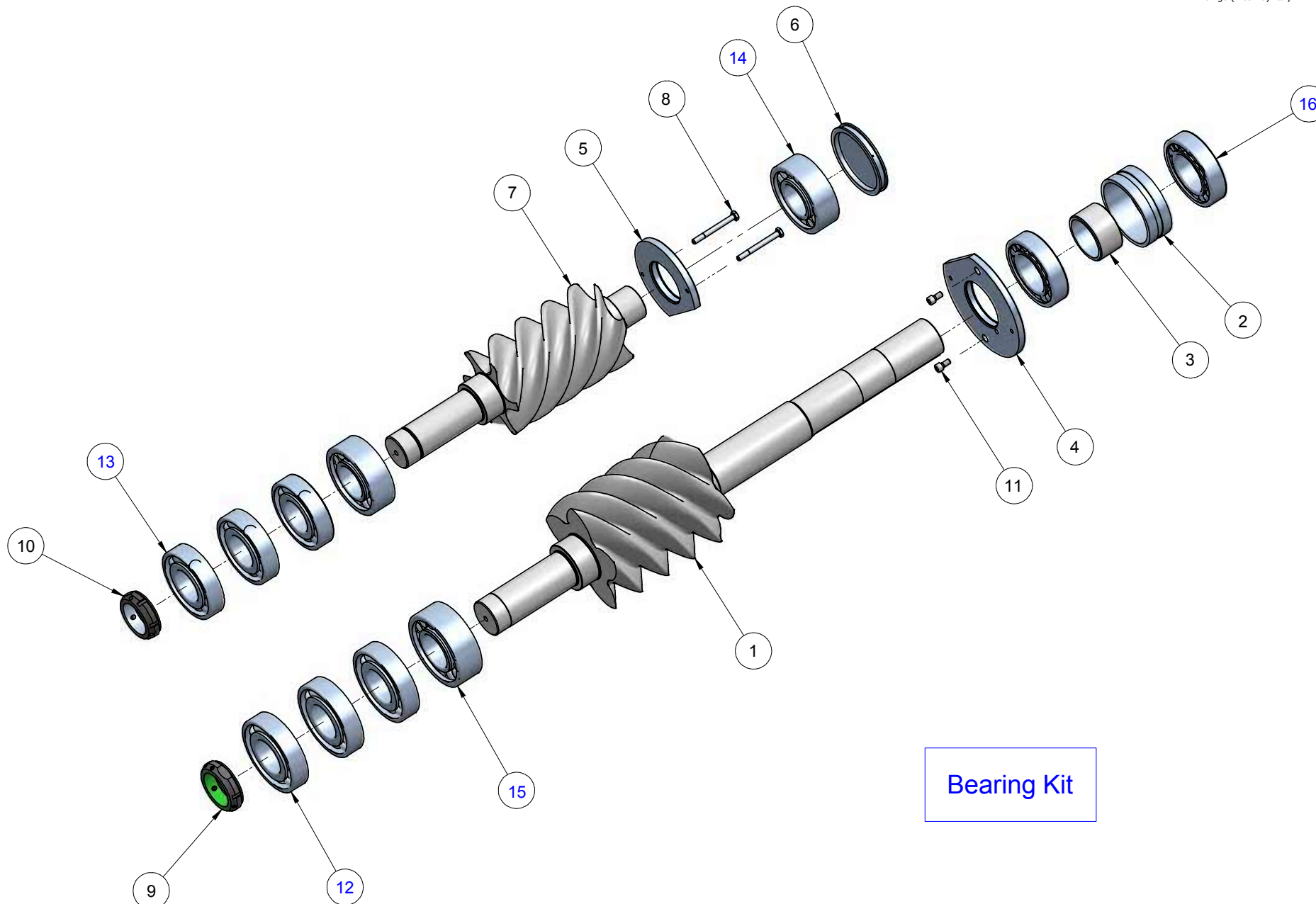


134-S-270 Rotor

ATTENZIONE: il presente disegno è di esclusiva proprietà REFCOMP. E' fatto divieto di riproduzione e di divulgazione anche parziale secondo quanto regolato dalle norme vigenti.

ATTENTION: the present drawing is exclusively ownership of REFCOMP. Is forbidden to reproduce and to disclose, even if partially, the present document in conformity to law regulation in force.

Pos	Code	Description	Serial number	Note	Q.ty
Kit	304114	Bearings kit			1
1	503423	Male rotor			1
2	519669	Bearing external spacer Ø150x54			1
3	519670	Bearing internal spacer Ø85x54			1
4	519674	Rotor male bush H=45			1
5	519677	Rotor female bush H=45			1
6	519721	Bearing cap Ø150x19			1
7	534206	Female rotor			1
8	611390	Screw M10x100			2
9	613690	Block nut M75x2			1
10	614220	Block nut M70x2			1
11	614546	Screw M10x55			2
12	614596	Ball bearing			3
13	614597	Ball bearing			3
14	614598	Cylindrical roller bearing			2
15	614599	Cylindrical roller bearing			1
16	614600	Cylindrical roller bearing			2



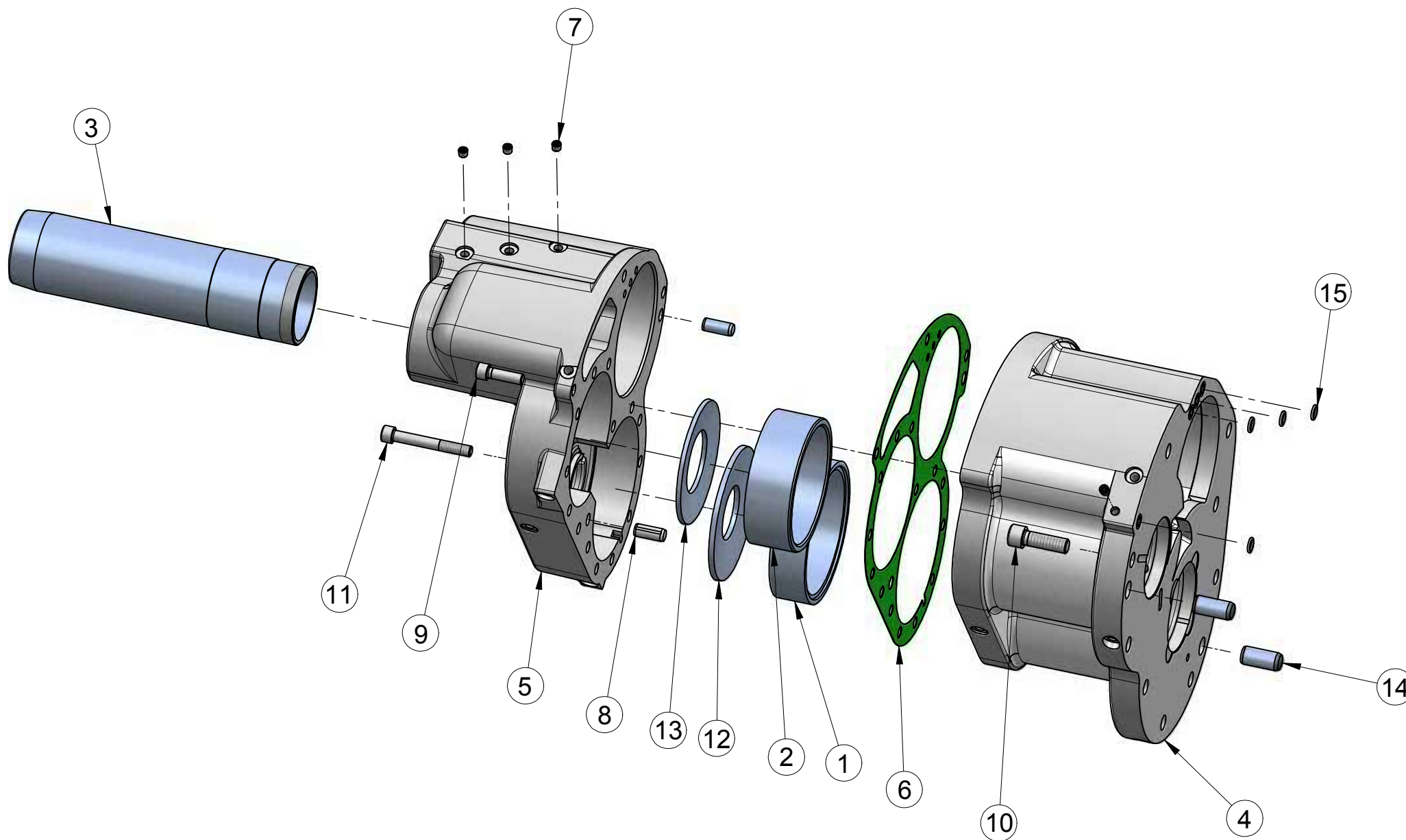
Bearing Kit

134-S-300 Rotor

ATTENZIONE: il presente disegno è di esclusiva proprietà REFCOMP. E' fatto divieto di riproduzione e di divulgazione anche parziale secondo quanto regolato dalle norme vigenti.

ATTENTION: the present drawing is exclusively ownership of REFCOMP. Is forbidden to reproduce and to disclose, even if partially, the present document in conformity to law regulation in force.

Pos	Code	Description	Serial number	Note	Q.ty
Kit	304114	Bearings kit			1
1	503424	Male rotor			1
2	519669	Bearing external spacer Ø150x54			1
3	519670	Bearing internal spacer Ø85x54			1
4	519675	Rotor male bush H=15			1
5	519678	Rotor female bush H=15			1
6	519721	Bearing cap Ø150x19			1
7	534207	Female rotor			1
8	611390	Screw M10x100			2
9	613690	Block nut M75x2			1
10	614220	Block nut M70x2			1
11	614564	Screw M10x20			2
12	614596	Ball bearing			3
13	614597	Ball bearing			3
14	614598	Cylindrical roller bearing			2
15	614599	Cylindrical roller bearing			1
16	614600	Cylindrical roller bearing			2



Bearing housing + bearing housing cover

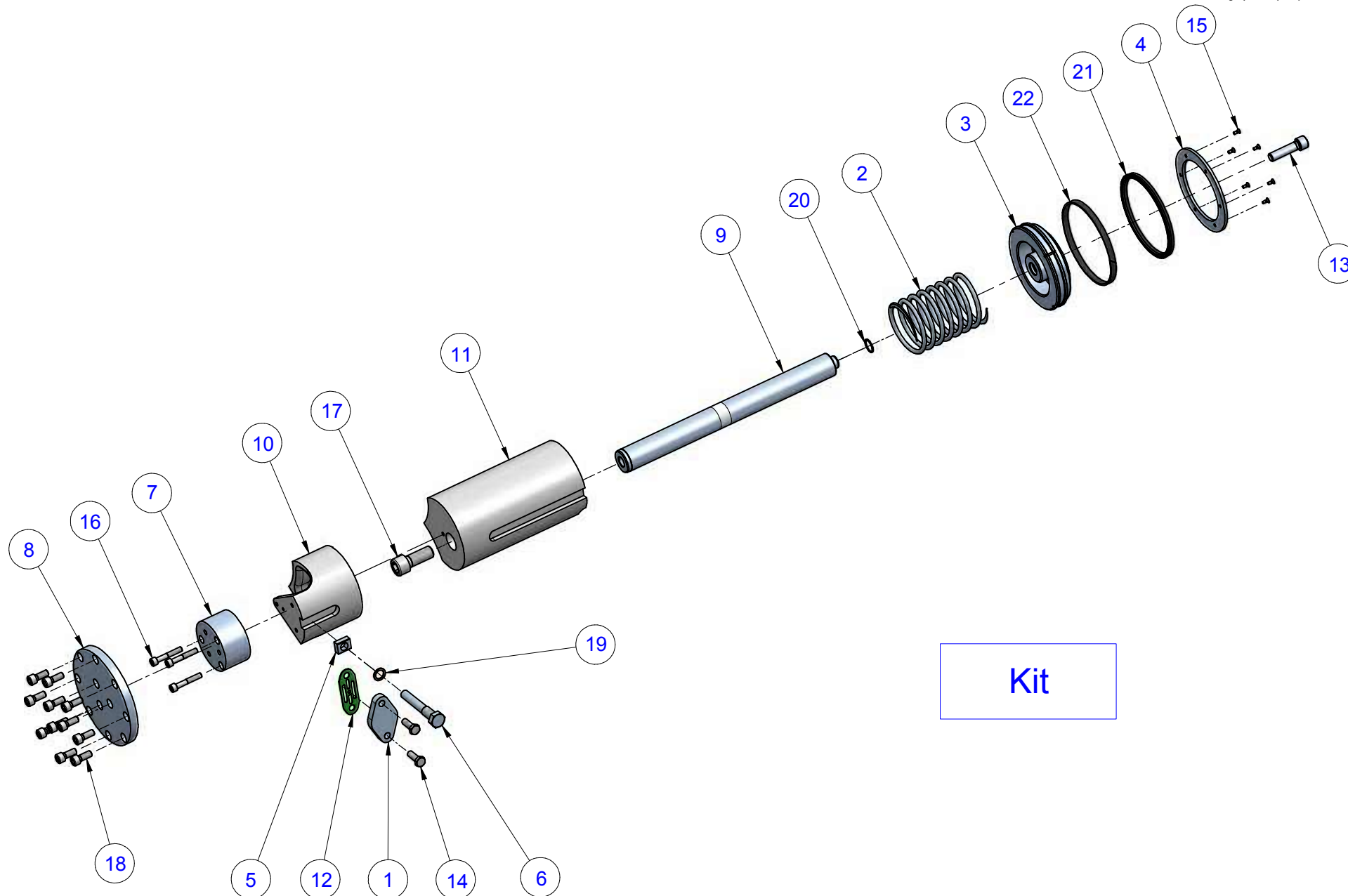
ATTENZIONE: il presente disegno è di esclusiva proprietà REFCOMP. E' fatto divieto di riproduzione e di divulgazione anche parziale secondo quanto regolato dalle norme vigenti.

ATTENTION: the present drawing is exclusively ownership of REFCOMP. Is forbidden to reproduce and to disclose, even if partially, the present document in conformity to law regulation in force.

Pos	Code	Description	Serial number	Note	Q.ty
1	519671	Bearing spacer Ø160x36.7			1
2	519672	Bearing spacer Ø150x48.1			1
3	519701	Discharge pipe Ø88.9x330			1
4	534215	Bearing housing			1
5	534361	Bearing housing cover l=165 Ø150			1
5	534503	Bearing housing cover			1
6	592853	Bearing cover gasket			1
7	610680	Plug 1/8"NPT			4
8	611940	Cylindrical pin Ø14x35			2
9	612460	Screw M12x40			3
10	614557	Screw M16x50			9
11	614569	Screw M12x90			14
12	614589	Conical spring Ø150xØ61x6			1
13	614590	Conical spring Ø140xØ72x5			1
14	614615	Cylindrical pin Ø20x45			2
15	691081	O-ring OR115			4

Bearing housing + bearing housing cover

Model: 134-S-240_270_300



Kit

Slide valve

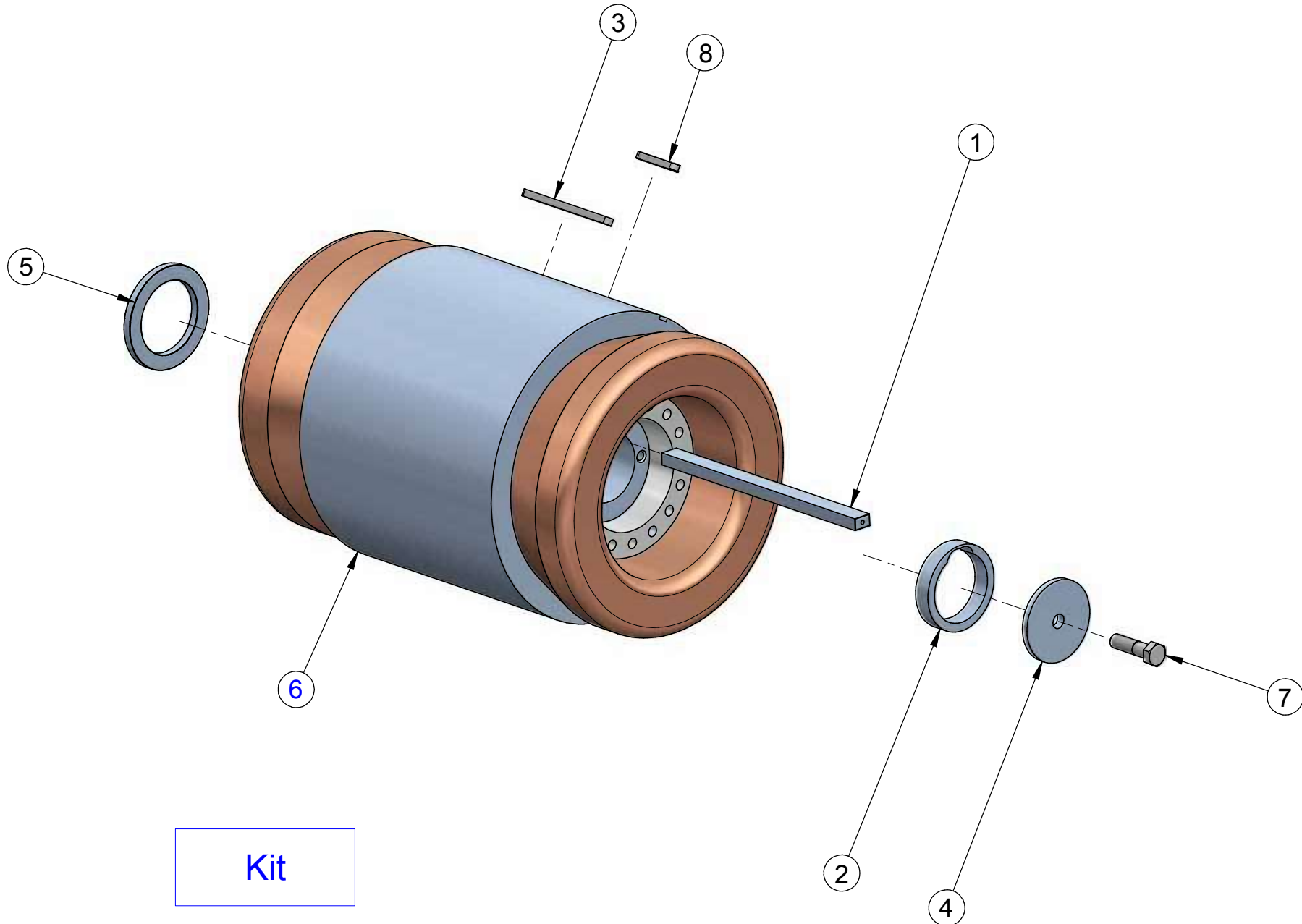
ATTENZIONE: il presente disegno è di esclusiva proprietà REFCOMP. È fatto divieto di riproduzione e di divulgazione anche parziale secondo quanto regolato dalle norme vigenti.

ATTENTION: the present drawing is exclusively ownership of REFCOMP. Is forbidden to reproduce and to disclose, even if partially, the present document in conformity to law regulation in force.

Pos	Code	Description	Serial number	Note	Q.ty
Kit	304104	Slide valve kit Vi=3.2			1
Kit	304105	Slide valve kit			1
Kit	304129	Slide valve kit Vi=2.6			1
Kit	304130	Slide valve kit			1
Kit	304132	Slide valve kit			1
1	510170	Closing oval plate l=65			1
2	519191	Spring slide valve			1
3	519665	Control piston Ø150			1
4	519666	Front part control piston Ø150			1
5	519696	Slide valve key Ø14x20			1
6	519735	Vi guide bolt M16			1
7	519742	Vi slide valve spacer L=48			1
8	519743	Fixing cap Ø174 vi slide valve			1
7	519775	Vi slide valve spacer L=32			1
9	519930	Command piston rod Ø40			1
10	534224	Vi control piston			1
11	534357	Slide valve			1
11	534358	Slide valve			1
11	534359	Slide valve Vi=2.2			1
11	534360	Slide valve Vi=2.6			1
11	534405	Slide valve Vi=4.4			1
12	592844	Vi control gasket			1
16	611310	Screw M8x40			1
13	612470	Screw M14x55			1
14	612850	Galvanized screw M10x30			2
15	612980	Screw M4x10			6
16	614543	Screw M8x50			3
17	614666	Screw M20x50			1
18	614670	Screw M10x25			11
19	680030	Copper washer Ø16x22x1.5			1
20	690160	O-ring OR2081			1
21	691151	Energized gasket			1
22	691152	Bearing housing cover gasket Ø150			1

Slide valve

Model: 134-S-240_270_300



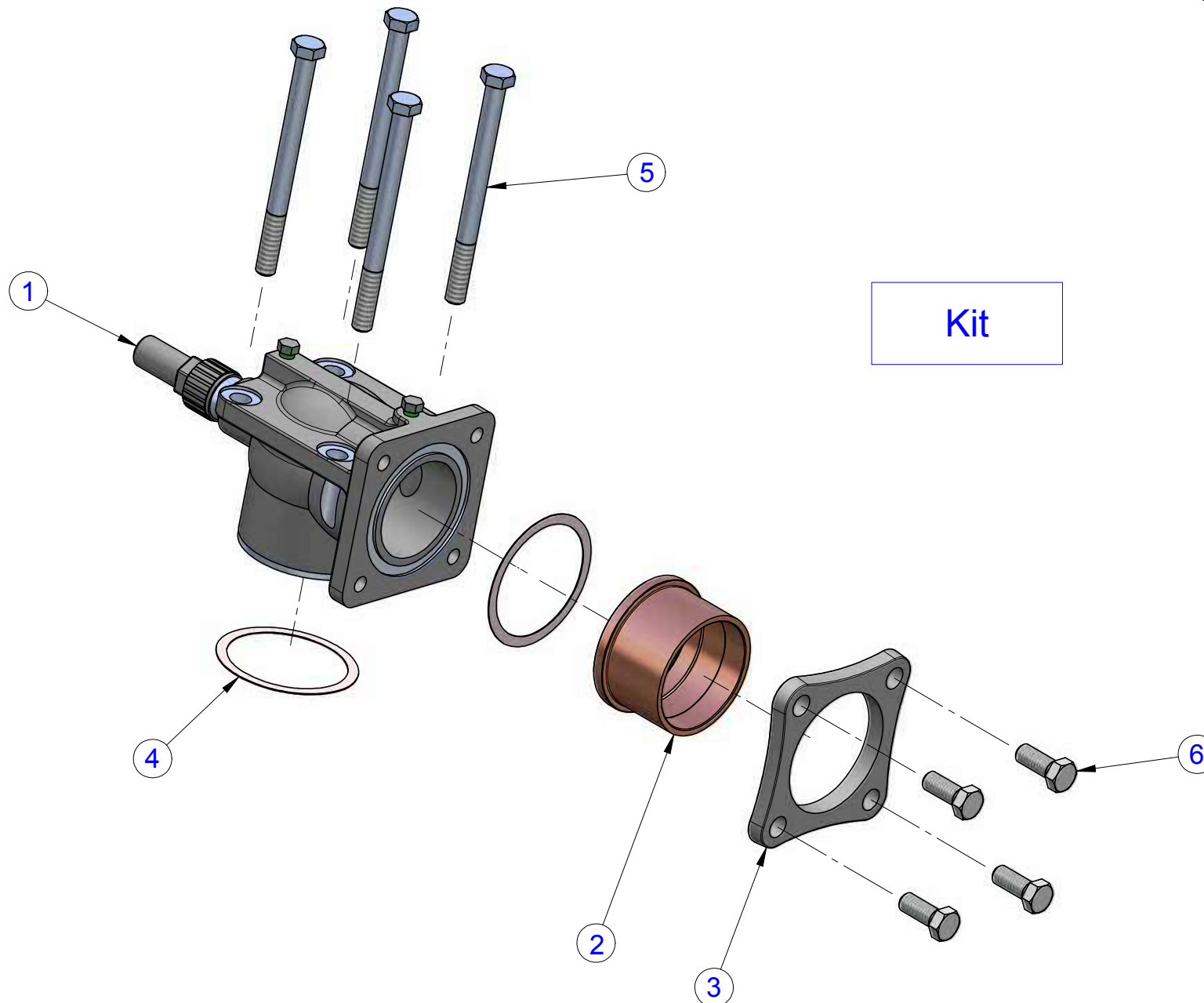
Kit

Electrical motor

ATTENZIONE: il presente disegno è di esclusiva proprietà REFCOMP. E' fatto divieto di riproduzione e di divulgazione anche parziale secondo quanto regolato dalle norme vigenti.

ATTENTION: the present drawing is exclusively ownership of REFCOMP. Is forbidden to reproduce and to disclose, even if partially, the present document in conformity to law regulation in force.

Pos	Code	Description	Serial number	Note	Q.ty
1	510014	Rotor key 22x14x313			1
2	510016	Spacer Ø80.1x20			1
3	514760	Key 11.95x8x140			1
4	519690	Shaft washer			1
5	519695	Rotor spacer Ø80x10			1
6	584056	Electric motor 400V/3/50Hz Y/D			1
6	584057	Electric motor 400V/3/50Hz Y/D			1
6	584058	Electric motor 400V/3/50Hz Y/D			1
6	584059	Electric motor 400V/3/50Hz Y/D			1
6	584060	Electric motor 400V/3/50Hz Y/D			1
7	614490	Screw M16x60			1
8	614555	Key 12x8x63			1
Kit	304146	Electric motor kit 400V/3/50Hz Y/D			1
Kit	304147	Electric motor kit 400V/3/50Hz Y/D			1
Kit	304147	Electric motor kit 400V/3/50Hz Y/D			1
Kit	304148	Electric motor kit 400V/3/50Hz Y/D			1
Kit	304148	Electric motor kit 400V/3/50Hz Y/D			1
Kit	304149	Electric motor kit 400V/3/50Hz Y/D			1
Kit	304149	Electric motor kit 400V/3/50Hz Y/D			1
Kit	304150	Electric motor kit 400V/3/50Hz Y/D			1
Kit	304150	Electric motor kit 400V/3/50Hz Y/D			1



Kit

Discharge shut-off valve

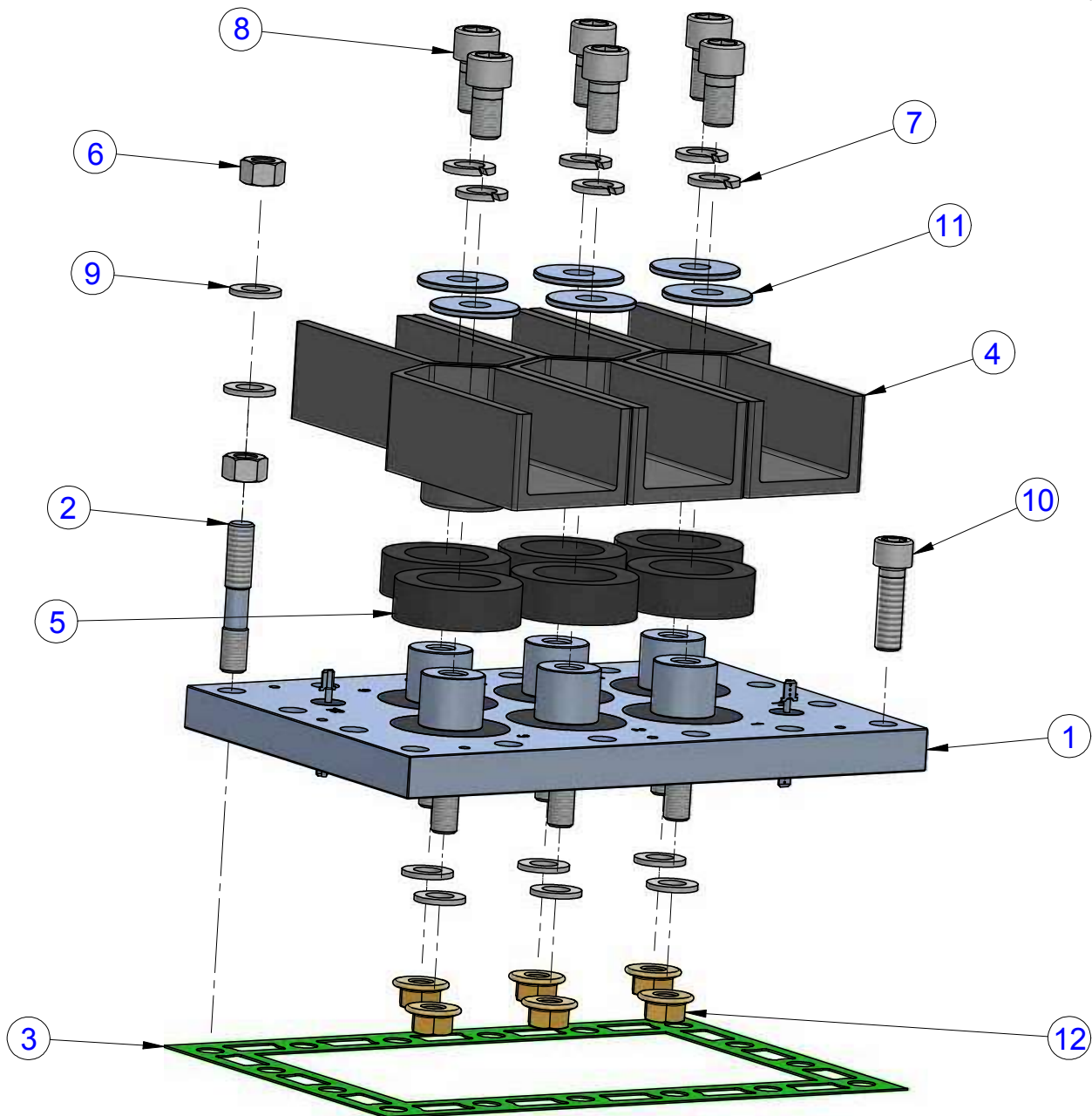
ATTENZIONE: il presente disegno è di esclusiva proprietà REFCOMP. E' fatto divieto di riproduzione e di divulgazione anche parziale secondo quanto regolato dalle norme vigenti.

ATTENTION: the present drawing is exclusively ownership of REFCOMP. Is forbidden to reproduce and to disclose, even if partially, the present document in conformity to law regulation in force.

Pos	Code	Description	Serial number	Note	Q.ty
1	503444	Shut-off valve l=122			1
2	519376	Bush Ø77			1
2	519289	Bush Ø80			1
2	519361	Bush Ø89			1
2	519495	Bush Ø92			1
2	519239	Bush Ø105		Standard	1
2	519278	Bush Ø108			1
3	519240	Flange l=122			1
4	592745	Shut-off valve gasket Ø110.5xØ130x1			1
5	614616	Galvanized screw M18x220			4
6	610011	Galvanized screw M18x45			4
Kit	304117	Shut-off valve kit l=122 Ø77			1
Kit	304118	Shut-off valve kit l=122 Ø80			1
Kit	303980	Shut-off valve kit l=122 Ø89			1
Kit	304127	Shut-off valve kit l=122 Ø92			1
Kit	303974	Shut-off valve kit l=122 Ø105		Standard Kit	1
Kit	304121	Shut-off valve kit l=122 Ø108			1

Discharge shut-off valve

Kit



Terminal plate

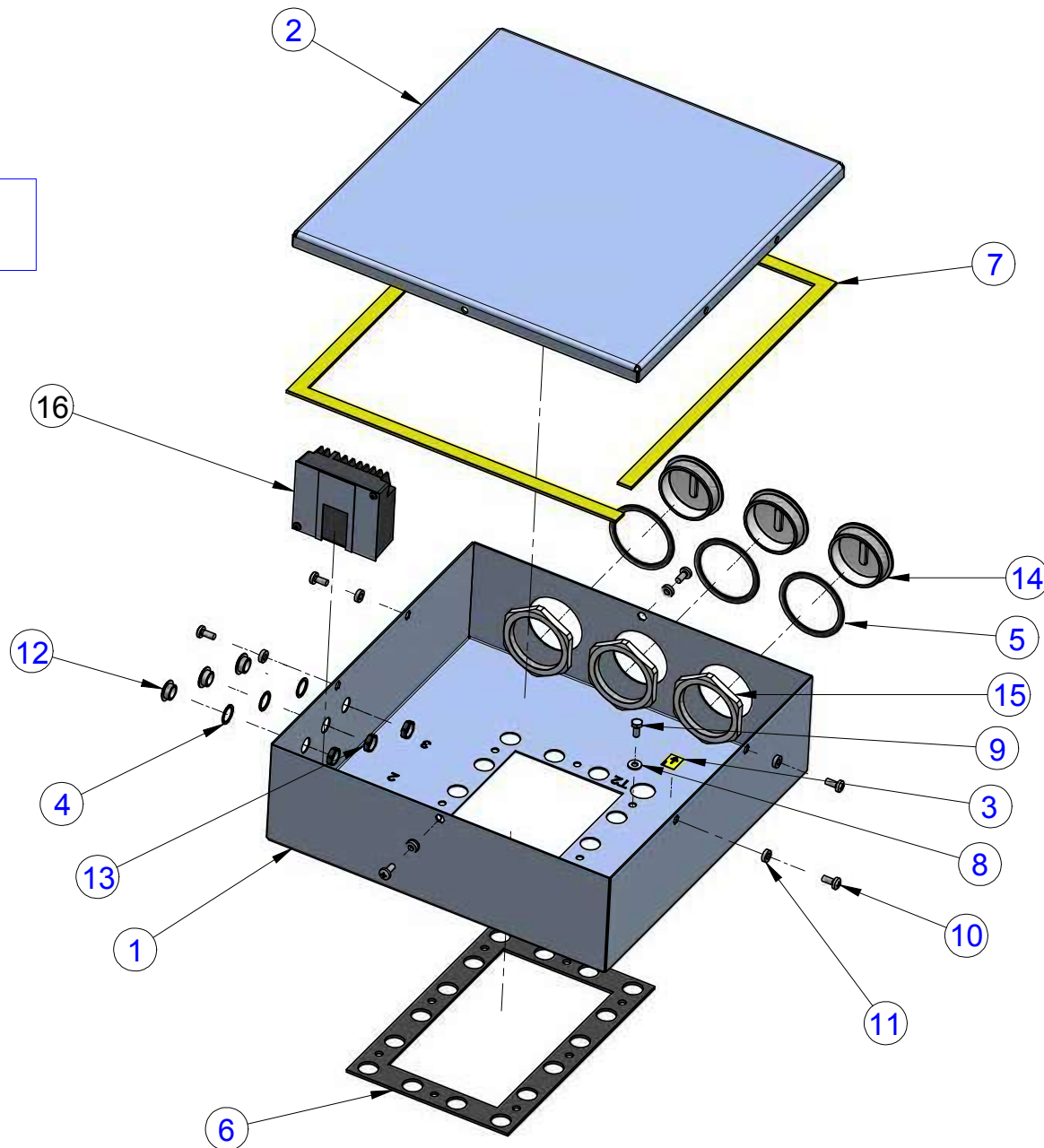
ATTENZIONE: il presente disegno è di esclusiva proprietà REFCOMP. E' fatto divieto di riproduzione e di divulgazione anche parziale secondo quanto regolato dalle norme vigenti.

ATTENTION: the present drawing is exclusively ownership of REFCOMP. Is forbidden to reproduce and to disclose, even if partially, the present document in conformity to law regulation in force.

Pos	Code	Description	Serial number	Note	Q.ty
Kit	303014	Terminal plate kit			1
1	503324	Terminal plate M14			1
2	510970	Stud M12x70			1
3	592846	Terminal plate gasket			1
4	592847	Elettric cable insulator			6
5	592848	Insulator spacer			6
6	610810	Galvanized nut M12			2
7	610990	Galvanized grower washer M14			6
8	612420	Galvanized screw M14x25			6
12	613540	Galvanized klock nut M12			6
9	613560	Washer Ø13x24x2.5			8
10	614618	Galvanized screw M12x40			15
11	614653	Galvanized washer Ø14.5xØ42x3			6

Terminal plate

Kit



Terminal box

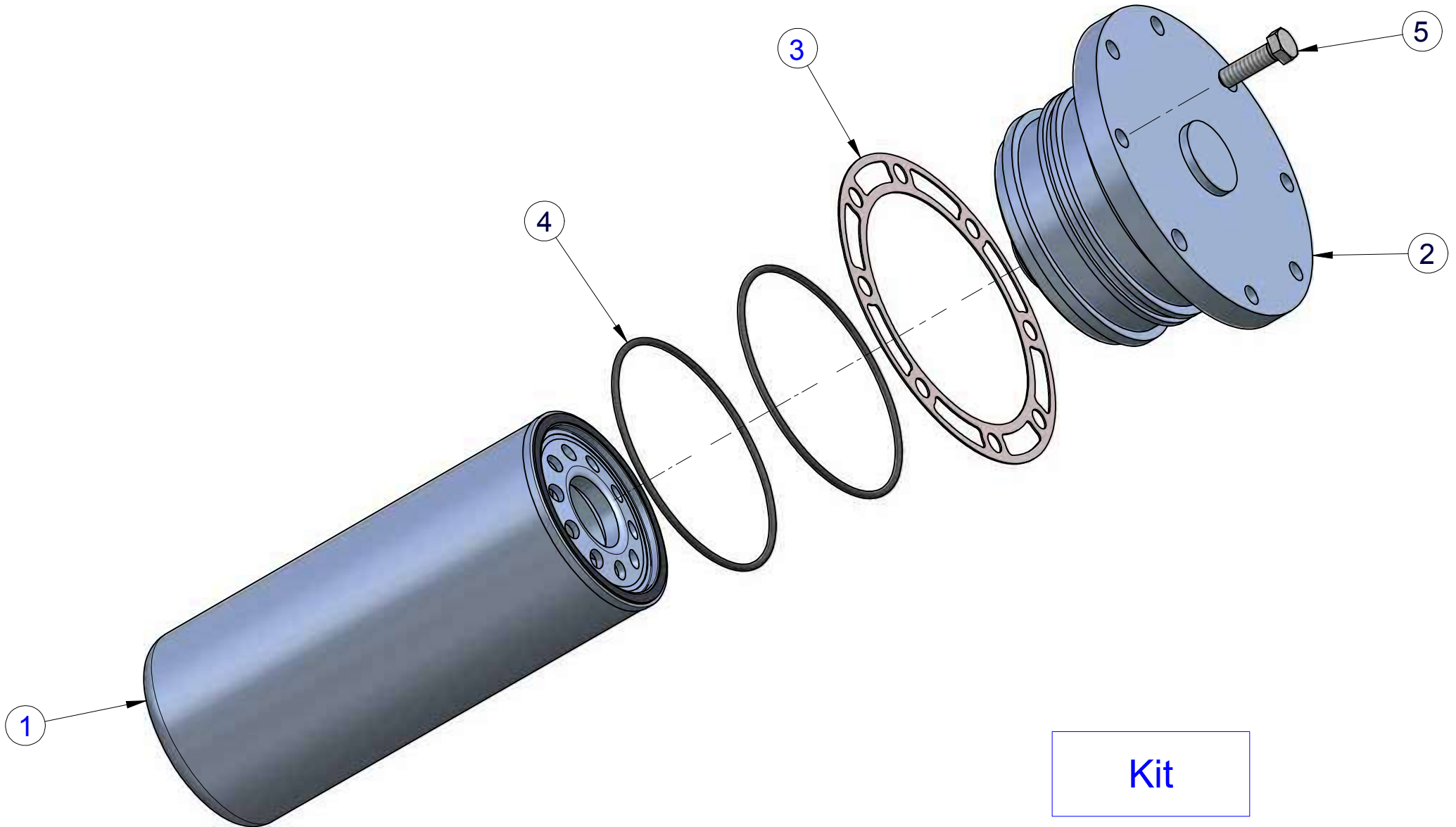
ATTENZIONE: il presente disegno è di esclusiva proprietà REFCOMP. E' fatto divieto di riproduzione e di divulgazione anche parziale secondo quanto regolato dalle norme vigenti.

ATTENTION: the present drawing is exclusively ownership of REFCOMP. Is forbidden to reproduce and to disclose, even if partially, the present document in conformity to law regulation in force.

Pos	Code	Description	Serial number	Note	Q.ty
Kit	303013	Electrical box kit			1
1	503339	Electric box			1
2	519697	Electrical box cover			1
3	585220	Ground label			1
4	592826	Rubber washer gasket ISO 16			3
5	592830	Rubber washer ISO 63			3
6	592849	Electrical box gasket			1
7	592850	Electric box cover gasket			2
8	611010	Plane washer Ø6x14x1.5			8
9	611150	Galvanized screw M6x14			8
10	613960	Galvanized screw M6x16			6
11	691107	Rubber washer miniplast MP16-6			9
12	691153	Plastic plug ISO 16			3
13	691154	Plastic nut ISO 16			3
14	691161	Plastic plug ISO 63			3
15	691162	Plastic nut ISO 63			3

Terminal box

Model: 134-S-240_270_300



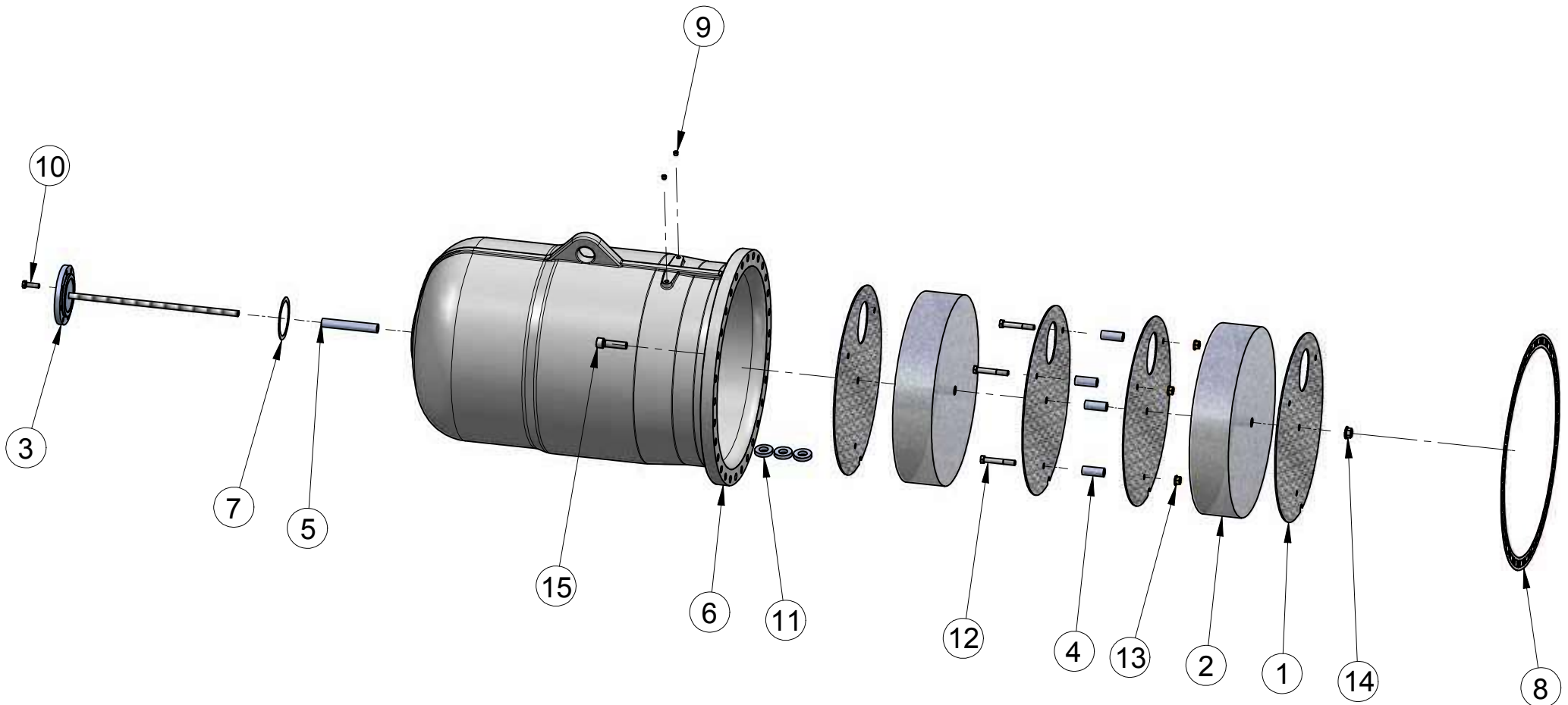
Kit

Oil strainer

ATTENZIONE: il presente disegno è di esclusiva proprietà REFCOMP. E' fatto divieto di riproduzione e di divulgazione anche parziale secondo quanto regolato dalle norme vigenti.

ATTENTION: the present drawing is exclusively ownership of REFCOMP. Is forbidden to reproduce and to disclose, even if partially, the present document in conformity to law regulation in force.

Pos	Code	Description	Serial number	Note	Q.ty
Kit	303885	Oil filter kit			1
1	503446	Reinforced oil filter cartridge			1
2	534246	Oil filter cap Ø130			1
3	592843	Oil filter cap gasket Ø130			1
5	612150	Galvanized screw M10x35			8
4	691105	O-ring OR4487			2



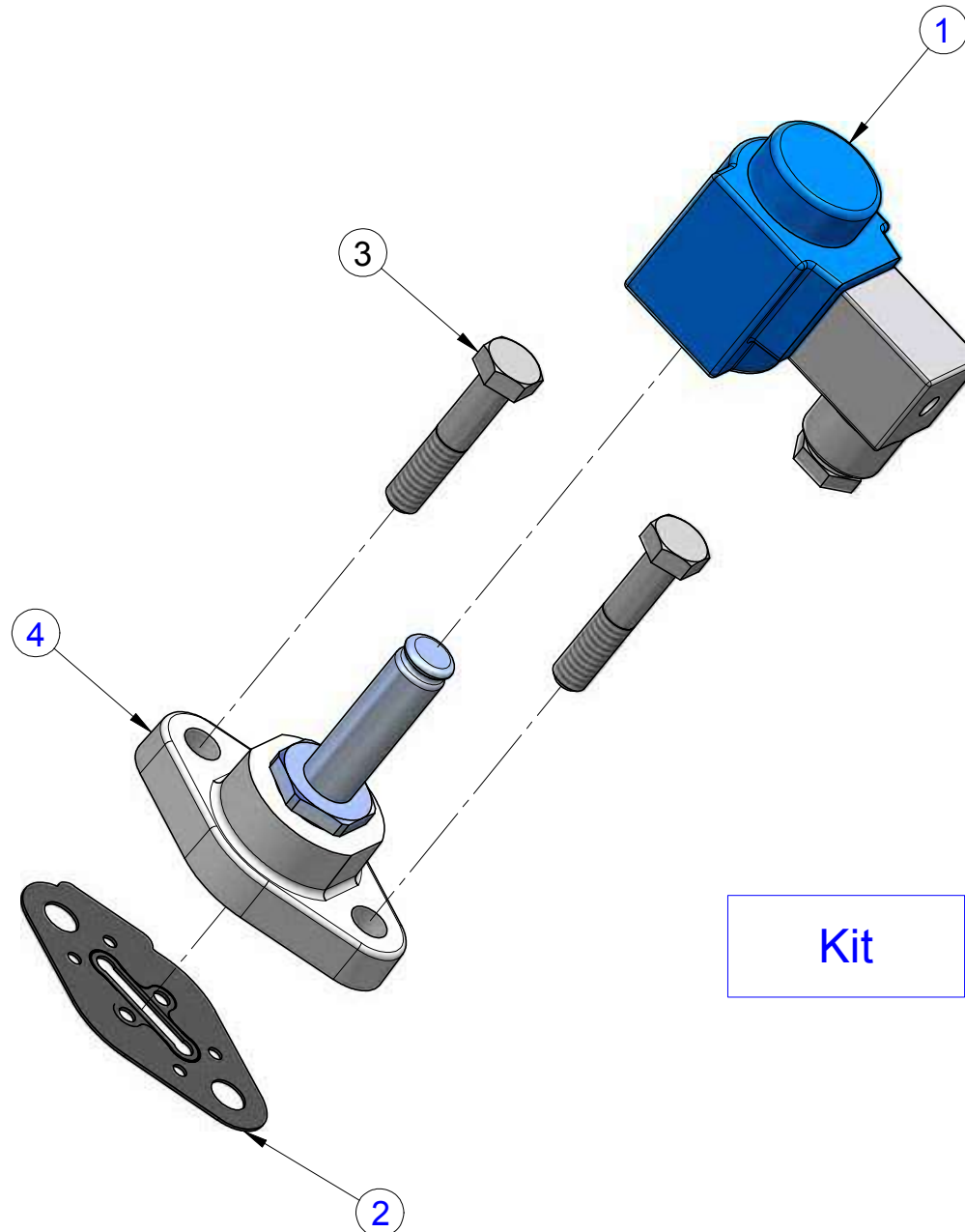
Oil separator

ATTENZIONE: il presente disegno è di esclusiva proprietà REFCOMP. E' fatto divieto di riproduzione e di divulgazione anche parziale secondo quanto regolato dalle norme vigenti.

ATTENTION: the present drawing is exclusively ownership of REFCOMP. Is forbidden to reproduce and to disclose, even if partially, the present document in conformity to law regulation in force.

Pos	Code	Description	Serial number	Note	Q.ty
1	519829	Demister punched sheet Ø474			4
2	519830	Demister oil separator Ø474x100			2
3	519854	Oil separator tie rod			1
4	519862	Stay rod spacer l=55			4
5	519864	Stay rod spacer l=142			1
6	534239	Finished oil separator			1
7	590250	Shut-off valve gasket Ø87.5xØ106.8x1			1
8	592010	Oil separator/rotor housing gasket			1
9	610680	Plug 1/8"NPT			2
12	611460	Screw M12x80			3
11	612490	Magnet			3
10	612850	Galvanized screw M10x30			8
13	613540	Galvanized klock nut M12			3
15	614020	Screw M16x60			30
14	614517	Klock nut M14 galvanized			1

Model: 134-S-240_270_300

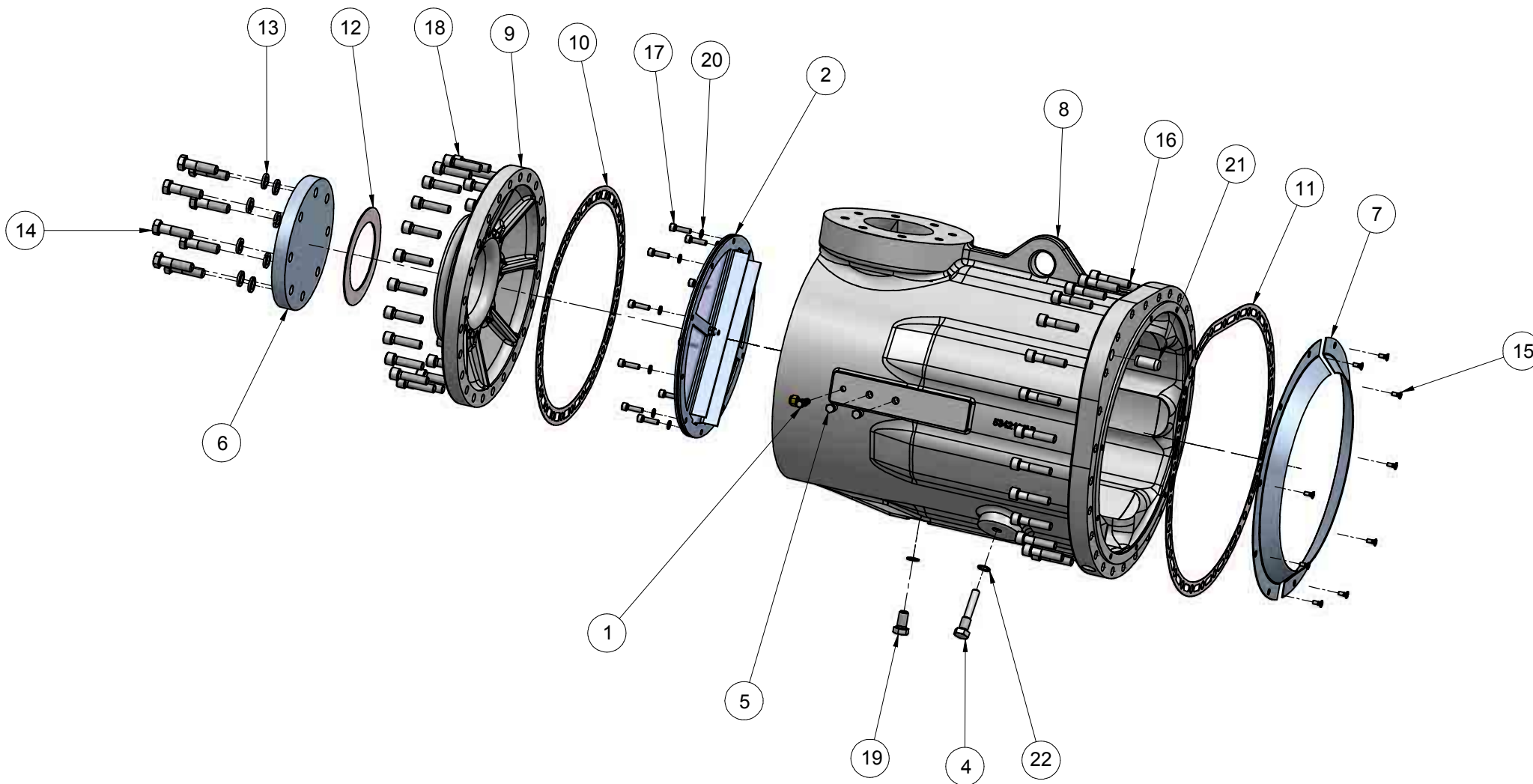


Capacity control solenoid valve

ATTENZIONE: il presente disegno è di esclusiva proprietà REFCOMP.
E' fatto divieto di riproduzione e di divulgazione anche parziale secondo
quanto regolato dalle norme vigenti.

ATTENTION: the present drawing is exclusively ownership of REFCOMP.
Is forbidden to reproduce and to disclose, even if partialy, the present
document in conformity to law regulation in force.

Pos	Code	Description	Serial number	Note	Q.ty
Kit	304123	Solenoid valve kit 230V 50-60Hz R134A			1
1	503330	Coil 230V-50/60Hz			1
2	592731	Solenoid valve gasket I=65			1
3	612170	Galvanized screw M10x50			2
4	760450	Solenoid valve			1

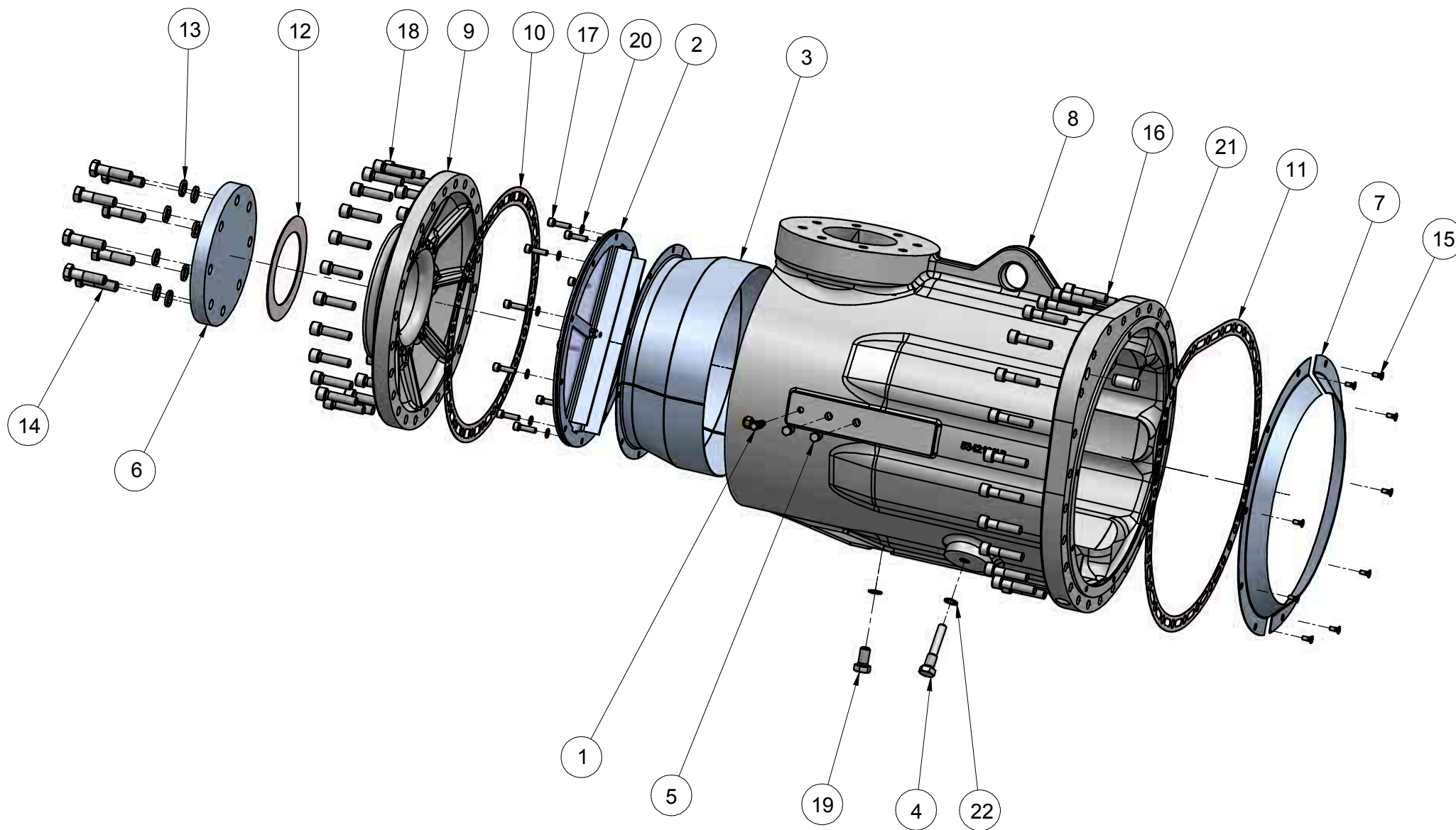


Motor body

ATTENZIONE: il presente disegno è di esclusiva proprietà REFCOMP. E' fatto divieto di riproduzione e di divulgazione anche parziale secondo quanto regolato dalle norme vigenti.

ATTENTION: the present drawing is exclusively ownership of REFCOMP. Is forbidden to reproduce and to disclose, even if partially, the present document in conformity to law regulation in force.

Pos	Code	Description	Serial number	Note	Q.ty
1	503076	Connection 1/8"NPT-1/4"-1/4"-1/4"SAE			1
2	503333	Suction filter Ø368			1
4	514290	Stator fixing screw M16			1
5	519147	Plug 1/4" NPT			2
6	519786	Blind flange Ø240x25			1
7	519842	Electric motor baffle Ø355			2
8	534213	Motor housing			1
9	534276	Suction cover with shut-off valve			1
10	592807	Oil demister housing gasket			1
11	592842	Motor housing gasket			1
12	592852	Bush gasket 5"			1
13	610940	Galvanized grower washer M16			8
14	611620	Galvanized screw M16x60			8
15	613500	Screw M6x16			9
16	613720	Screw M14x60			26
17	614538	Screw M8x30			10
18	614548	Galvanized screw M14x55			24
19	614571	Screw M16x30			1
20	614580	Washer Ø8.4x15x1.5			10
21	614615	Cylindrical pin Ø20x45			1
22	680030	Copper washer Ø16x22x1.5			2



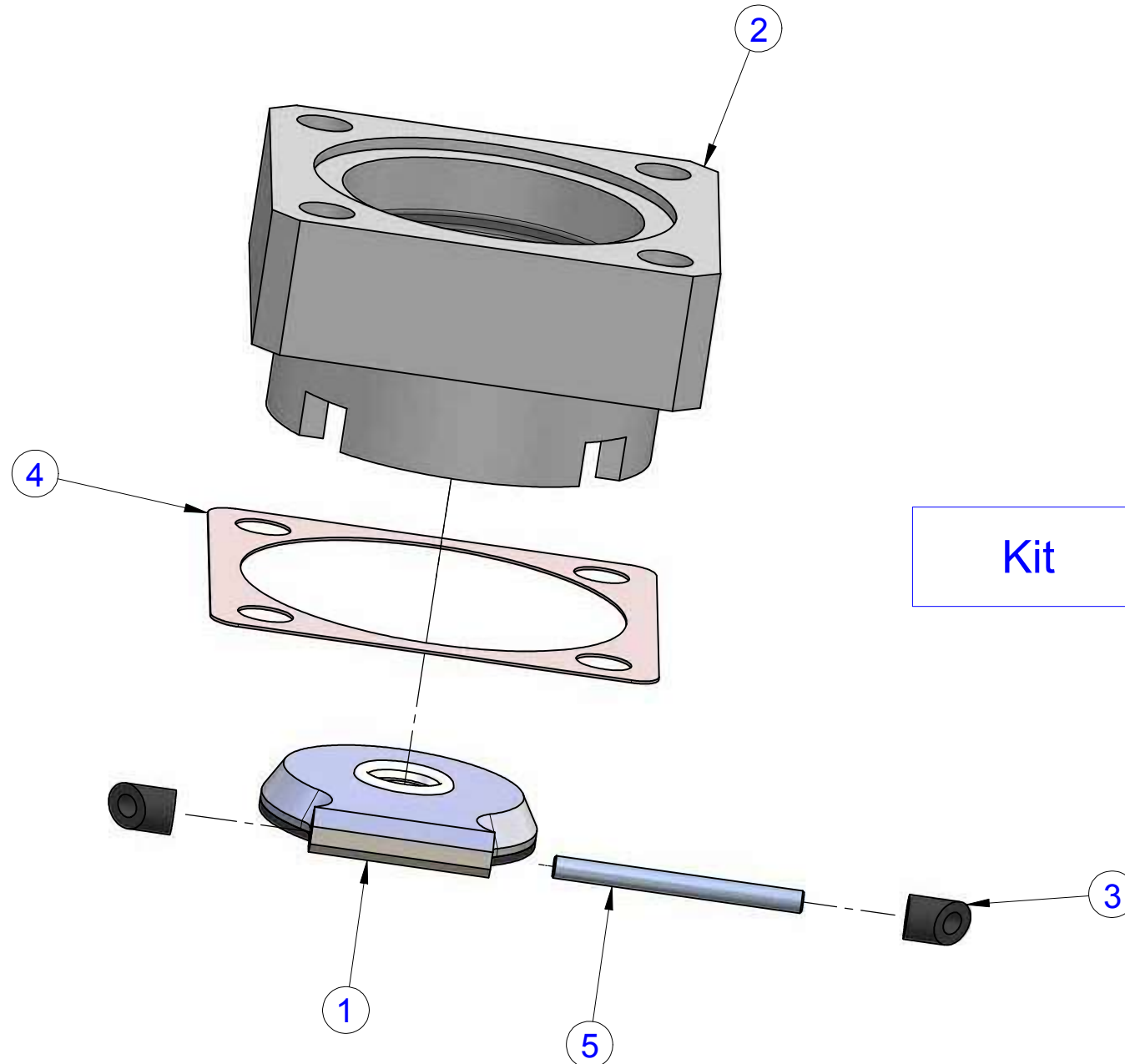
Motor body

ATTENZIONE: il presente disegno è di esclusiva proprietà REFCOMP. E' fatto divieto di riproduzione e di divulgazione anche parziale secondo quanto regolato dalle norme vigenti.

ATTENTION: the present drawing is exclusively ownership of REFCOMP. Is forbidden to reproduce and to disclose, even if partially, the present document in conformity to law regulation in force.

Pos	Code	Description	Serial number	Note	Q.ty
1	503076	Connection 1/8"NPT-1/4"-1/4"-1/4"SAE			1
2	503333	Suction filter Ø368			1
3	503393	Suction electric motor convey			1
4	514290	Stator fixing screw M16			1
5	519147	Plug 1/4" NPT			2
6	519786	Blind flange Ø240x25			1
7	519842	Electric motor baffle Ø355			2
8	534213	Motor housing			1
9	534276	Suction cover with shut-off valve			1
10	592807	Oil demister housing gasket			1
11	592842	Motor housing gasket			1
12	592852	Bush gasket 5"			1
13	610940	Galvanized grower washer M16			8
14	611620	Galvanized screw M16x60			8
15	613500	Screw M6x16			9
16	613720	Screw M14x60			26
17	614538	Screw M8x30			10
18	614548	Galvanized screw M14x55			24
19	614571	Screw M16x30			1
20	614580	Washer Ø8.4x15x1.5			10
21	614615	Cylindrical pin Ø20x45			1
22	680030	Copper washer Ø16x22x1.5			2

Model: 134-S-240_270_300



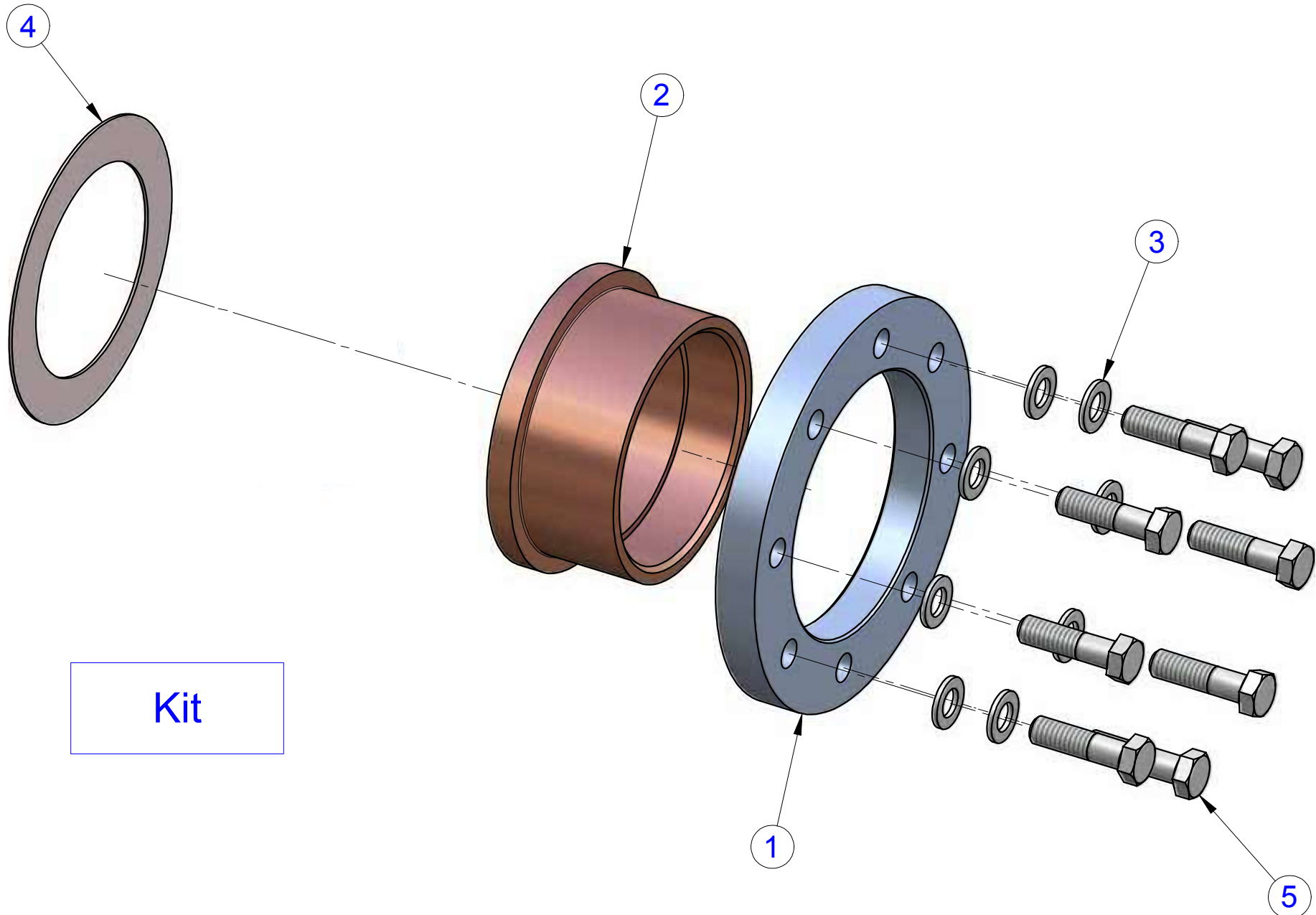
Check valve

ATTENZIONE: il presente disegno è di esclusiva proprietà REFCOMP. E' fatto divieto di riproduzione e di divulgazione anche parziale secondo quanto regolato dalle norme vigenti.

ATTENTION: the present drawing is exclusively ownership of REFCOMP. Is forbidden to reproduce and to disclose, even if partially, the present document in conformity to law regulation in force.

Pos	Code	Description	Serial number	Note	Q.ty
Kit	303938	Check valve kit			1
1	503338	Check valve Ø90			1
2	534244	Bushing Ø90			1
3	592818	Pin boss Ø8 for chek valve			2
4	592851	Check valve bush gasket Ø90			1
5	614619	Cylindrical pin Ø8x90			1

Model: 134-S-240_270_300



Kit

Suction bush

ATTENZIONE: il presente disegno è di esclusiva proprietà REFCOMP. E' fatto divieto di riproduzione e di divulgazione anche parziale secondo quanto regolato dalle norme vigenti.

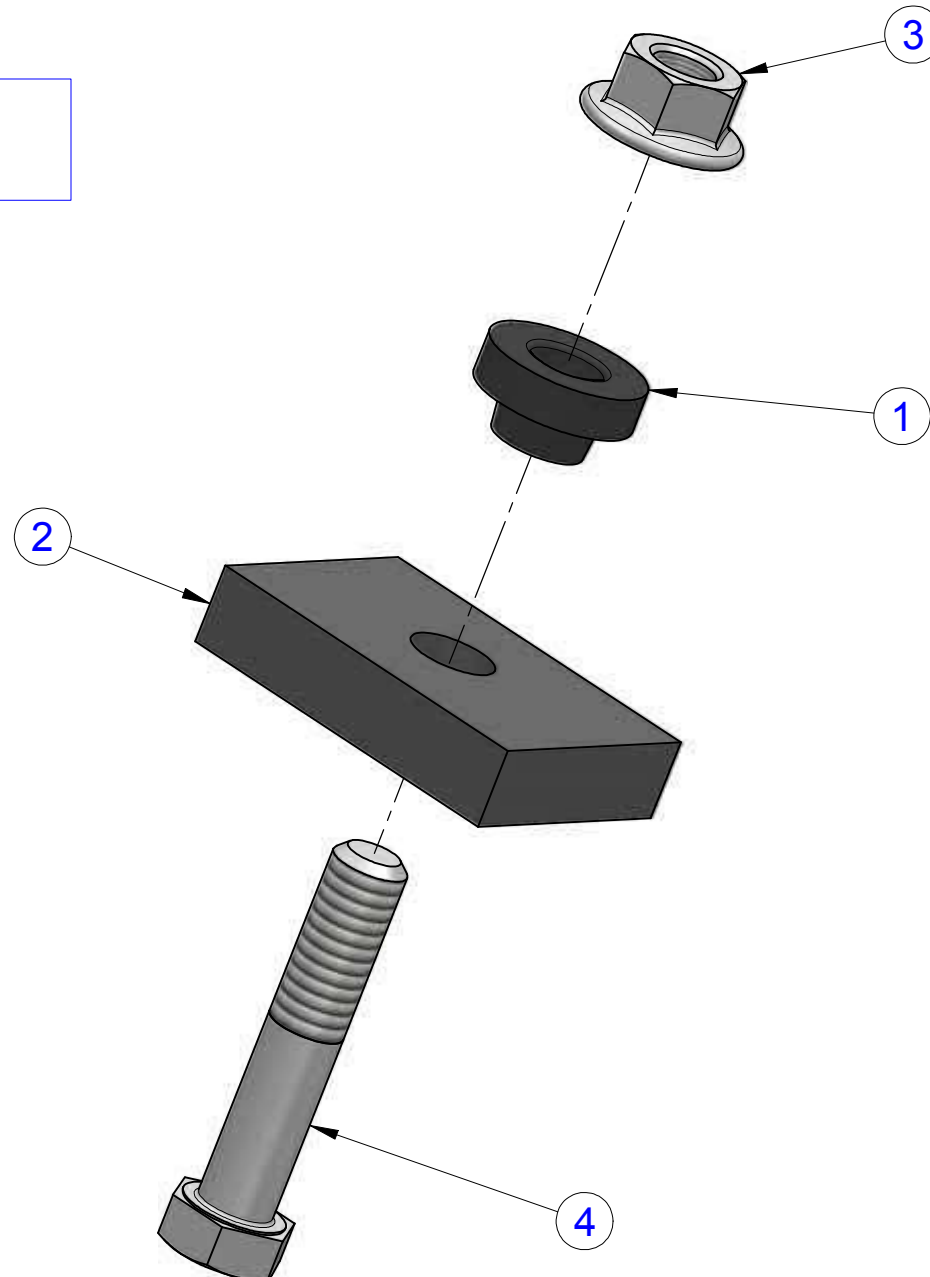
ATTENTION: the present drawing is exclusively ownership of REFCOMP. Is forbidden to reproduce and to disclose, even if partially, the present document in conformity to law regulation in force.

Pos	Code	Description	Serial number	Note	Q.ty
Kit	303930	Flange + bush kit Ø139.7			1
Kit	303940	Flange + bush kit Ø133		Standard Kit	1
Kit	304202	Flange + bush kit Ø114			1
Kit	304203	Flange + bush kit Ø108			1
Kit	304204	Flange + bush kit Ø105			1
1	519699	Flange I=155 Ø240x25			1
2	519769	Bush Ø105			1
2	519767	Bush Ø108			1
2	519768	Bush Ø114			1
2	519700	Bush Ø133		Standard	1
2	519766	Bush Ø139.7			1
3	610940	Galvanized grower washer M16			8
4	592852	Bush gasket 5"			1
5	614584	Screw M16x70			8

Suction bush

Model: 134-S-240_270_300

Kit

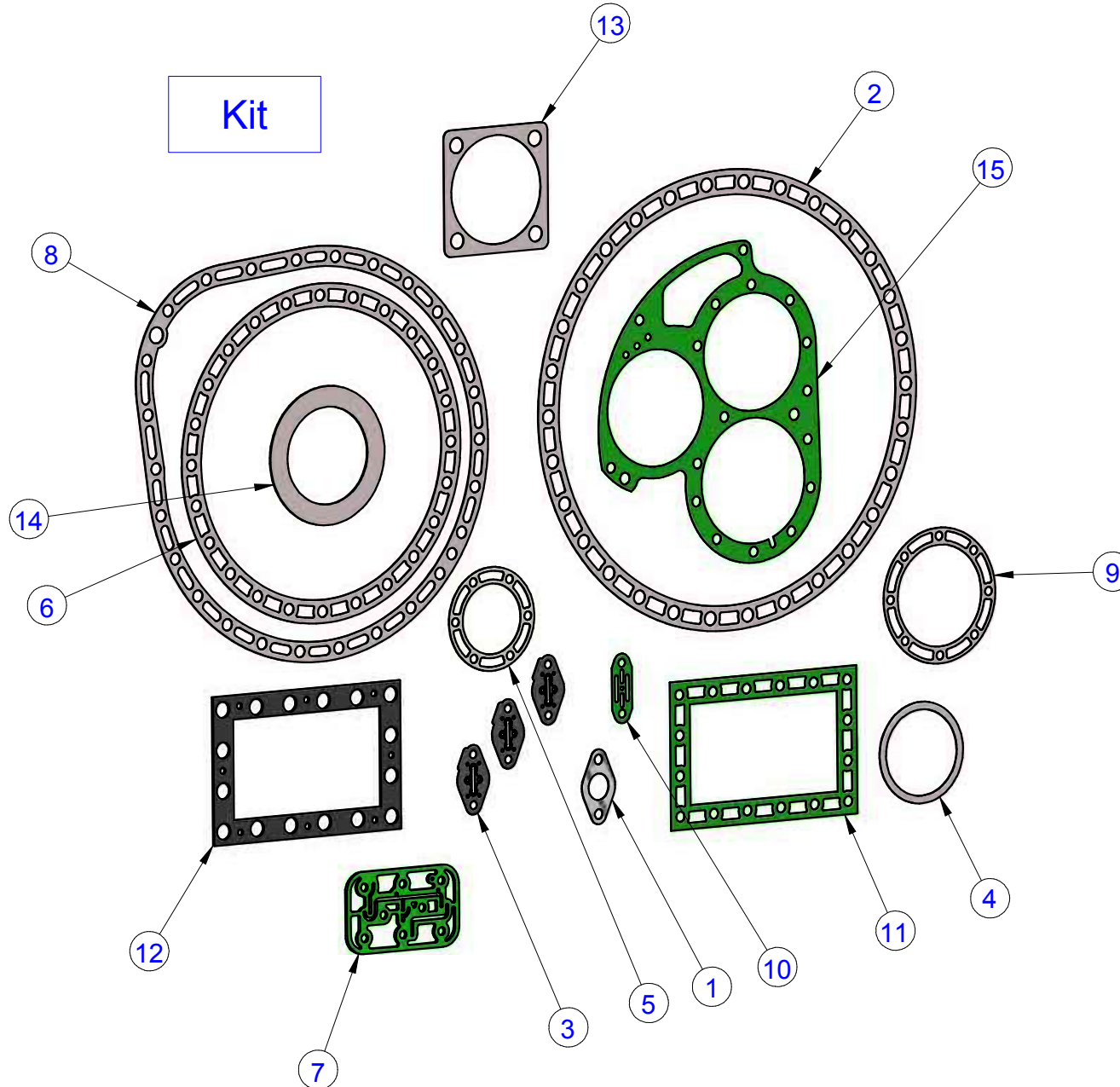


Dumpers

ATTENZIONE: il presente disegno è di esclusiva proprietà REFCOMP.
E' fatto divieto di riproduzione e di divulgazione anche parziale secondo
quanto regolato dalle norme vigenti.

ATTENTION: the present drawing is exclusively ownership of REFCOMP.
Is forbidden to reproduce and to disclose, even if partialy, the present
document in conformity to law regulation in force.

Pos	Code	Description	Serial number	Note	Q.ty
Kit	303321	Rubber dumpers kit			1
1	592742	Dumper bush			4
2	592840	Dumper (80°sh)			4
3	614517	Klock nut M14 galvanized			4
4	614525	Galvanized screw M14x70			4



Gaskets

ATTENZIONE: il presente disegno è di esclusiva proprietà REFCOMP.
E' fatto divieto di riproduzione e di divulgazione anche parziale secondo
quanto regolato dalle norme vigenti.

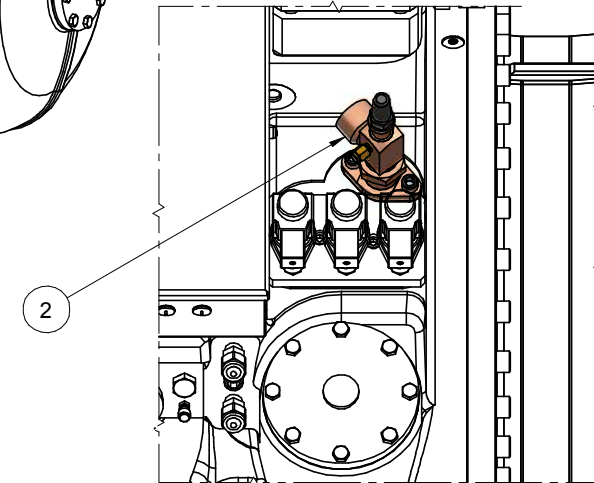
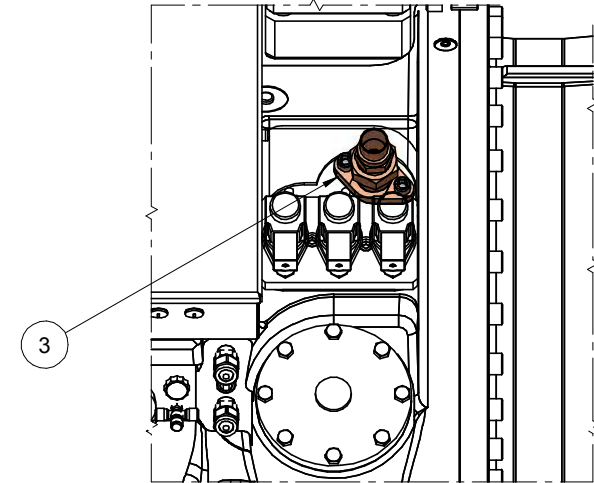
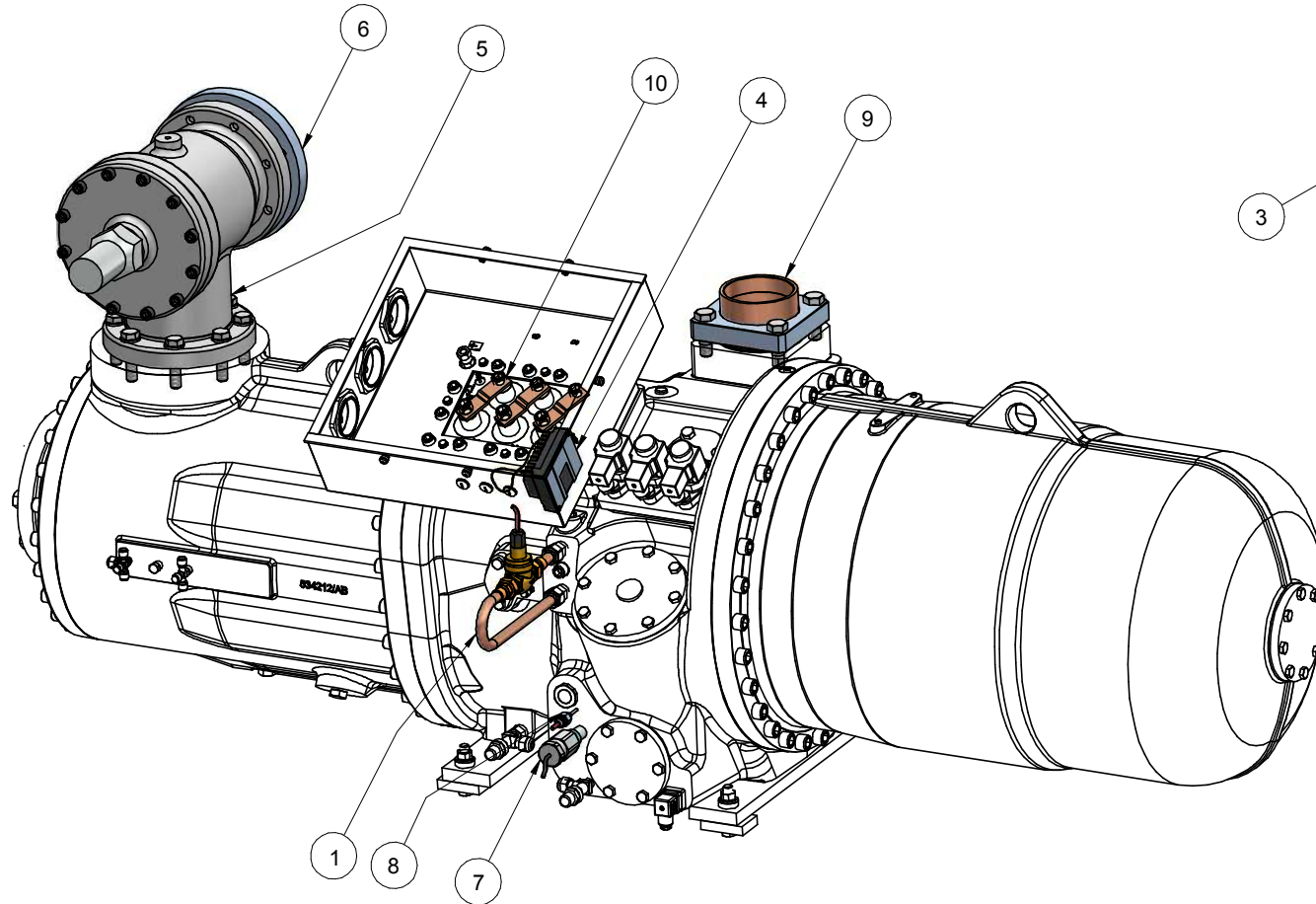
ATTENTION: the present drawing is exclusively ownership of REFCOMP.
Is forbidden to reproduce and to disclose, even if partially, the present
document in conformity to law regulation in force.

Pos	Code	Description	Serial number	Note	Q.ty
Kit	303884	Gasket kit			1
1	591030	Oval flange gasket l=70			1
2	592010	Oil separator/rotor housing gasket			1
3	592731	Solenoid valve gasket l=65			3
4	592745	Shut-off valve gasket Ø110.5xØ130x1			2
5	592800	Oil filter plug gasket			1
6	592807	Oil demister housing gasket			1
7	592833	Step load gasket 'L4'			1
8	592842	Motor housing gasket			1
9	592843	Oil filter cap gasket Ø130			1
10	592844	Vi control gasket			1
11	592846	Terminal plate gasket			1
12	592849	Electrical box gasket			1
13	592851	Check valve bush gasket Ø90			1
14	592852	Bush gasket 5"			2
15	592853	Bearing cover gasket			1

Model: 134-S-240_270_300

RefComp

REFRIGERANT COMPRESSORS
Lonigo (Vicenza) Italy



Optional

ATTENZIONE: il presente disegno è di esclusiva proprietà REFCOMP.
E' fatto divieto di riproduzione e di divulgazione anche parziale secondo
quanto regolato dalle norme vigenti.

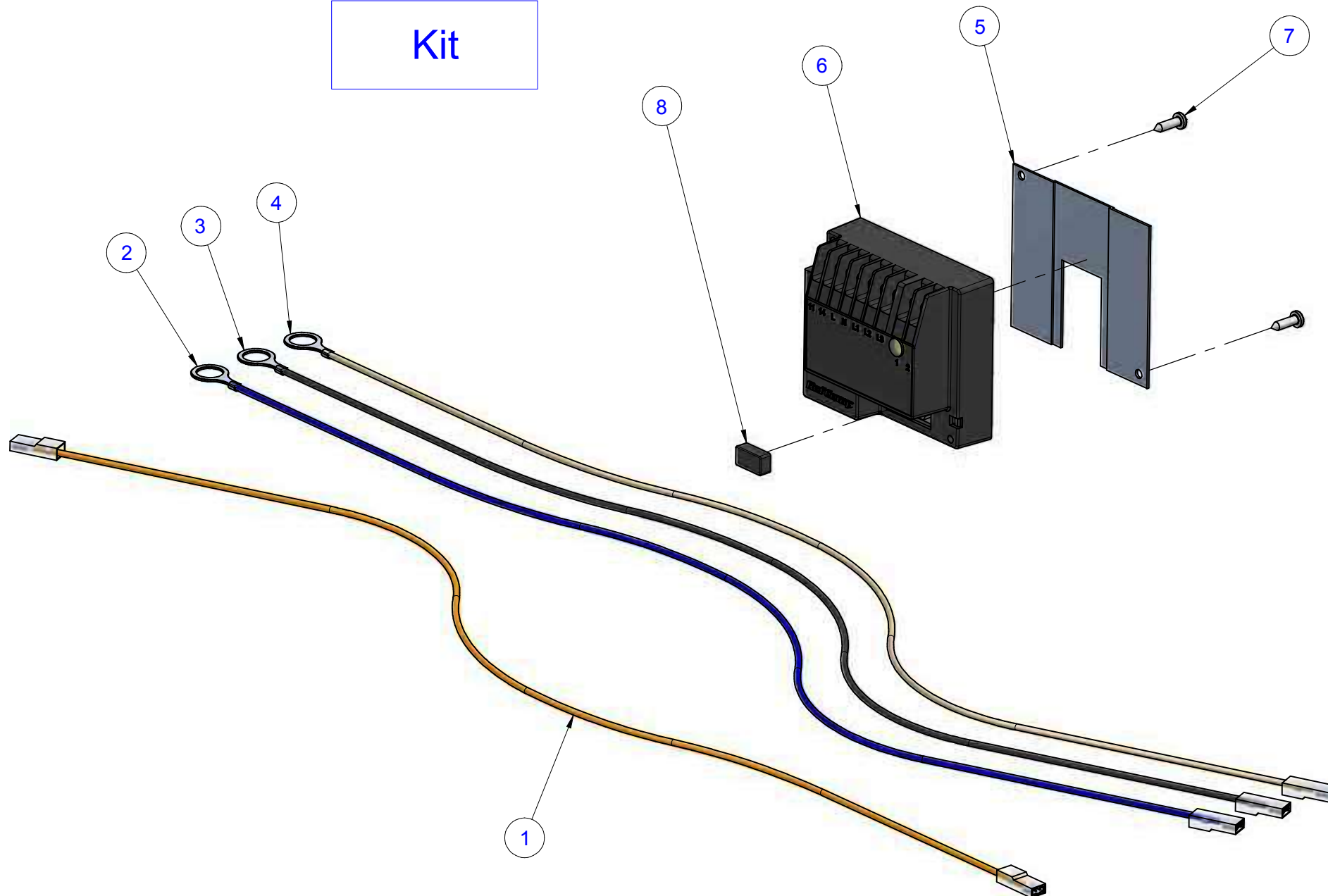
ATTENTION: the present drawing is exclusively ownership of REFCOMP.
Is forbidden to reproduce and to disclose, even if partially, the present
document in conformity to law regulation in force.

Pos	Code	Description	Serial number	Note	Q.ty
1	303799	Oil flow switch kit without motor protector INT69VS			1
1	303819	Oil flow switch kit with motor protector INT69VS 230V			1
1	304094	Oil flow switch kit with motor protector INT69VS 110V			1
1	304095	Oil flow switch kit with motor protector INT69VS 24V			1
2	303883	ECO shut-off valve kit			1
3	303157	Liquid injection kit			1
7	303549	Optical level oil kit sensor			1
8	303874	Protector device RCX + PTC temperature probe 120°C			1
8	303532	Temperature probe kit 120°C			1
9	304172	Flange + bush kit Ø105		Standard Kit	1
10	304061	Direct starting kit I=68.2			1

Optional

Model: 134-S-240_270_300

Kit



Motor protector

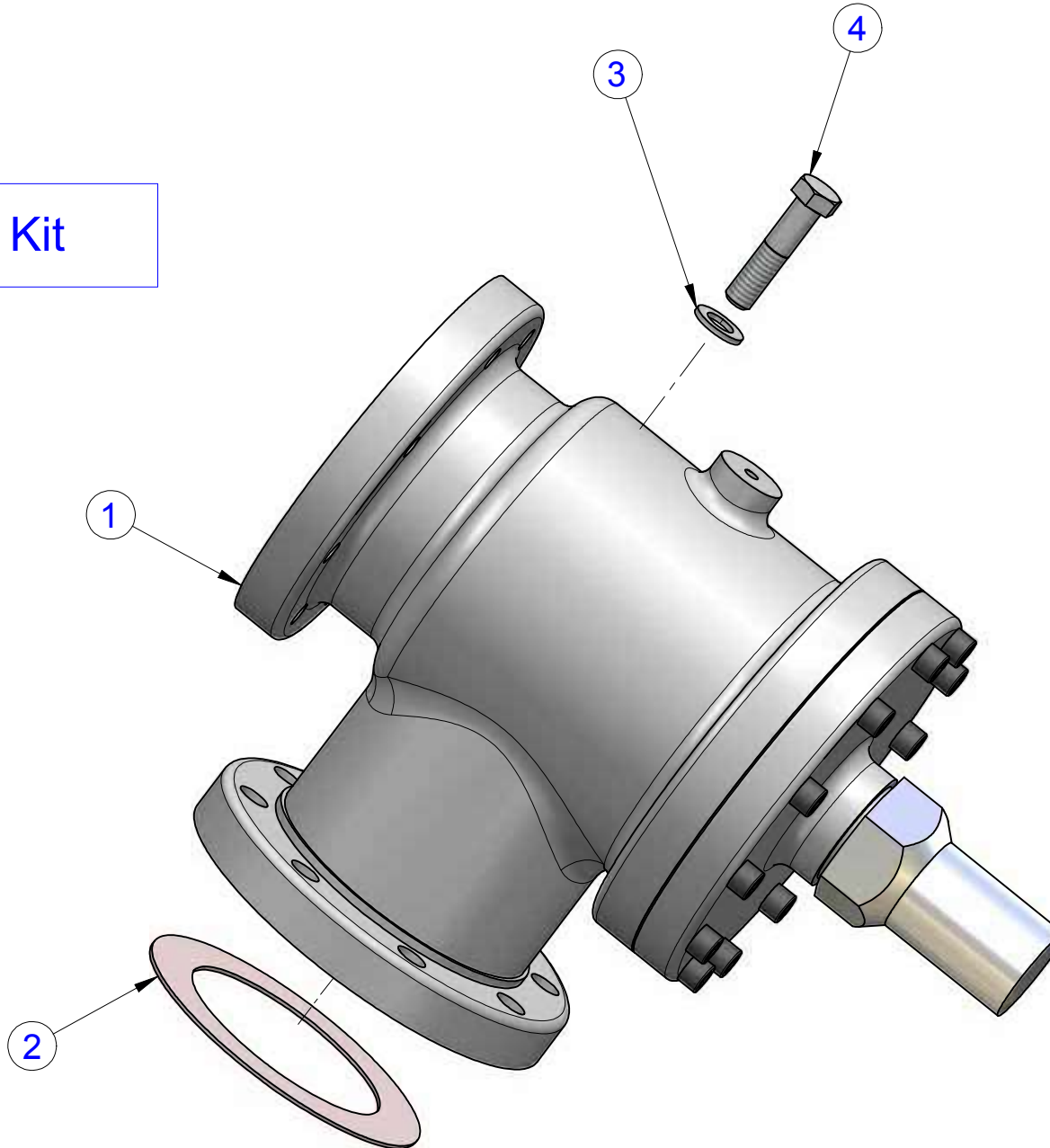
ATTENZIONE: il presente disegno è di esclusiva proprietà REFCOMP. E' fatto divieto di riproduzione e di divulgazione anche parziale secondo quanto regolato dalle norme vigenti.

ATTENTION: the present drawing is exclusively ownership of REFCOMP. Is forbidden to reproduce and to disclose, even if partially, the present document in conformity to law regulation in force.

Pos	Code	Description	Serial number	Note	Q.ty
Kit	303873	RefComp protector device RCX kit 110/230V			1
1	502954	Electric orange cable			1
2	502959	Connecting cable phase3 M12			1
3	502960	Connecting cable phase1 M12			1
4	502961	Connecting cable phase2 M12			1
5	519650	Refcomp protection device adapter plate			1
6	583919	RCX motor protection device 110/230V			1
7	614579	Self locking screw Ø4.2x1.6			2
8	691164	Plug anti-dust plug for RS232 connection			1

Model: 134-S-240_270_300

Kit



Suction shut-off valve

ATTENZIONE: il presente disegno è di esclusiva proprietà REFCOMP. E' fatto divieto di riproduzione e di divulgazione anche parziale secondo quanto regolato dalle norme vigenti.

ATTENTION: the present drawing is exclusively ownership of REFCOMP. Is forbidden to reproduce and to disclose, even if partially, the present document in conformity to law regulation in force.

Pos	Code	Description	Serial number	Note	Q.ty
Kit	303892	Shut-off valve kit			1
1	503355	Shut-off valve 5"			1
2	592852	Bush gasket 5"			2
4	614633	Galvanized screw M16x50			8
3	N	NOT USED			0