

Leading the Future in Refrigeration Technology



EMERSON **ZB Scroll Compressor** --- **Product Manual**



EMERSON. CONSIDER IT SOLVED.™

General Information	1	Dimensions	46-65
Description of Features	2	<i>Brazing Connection</i>	46-49
Nomenclature & BOM	3	ZB15~ZB29 (BOM 524)	46
Application Envelope	4-5	ZB38~ZB48 (BOM 524)	47
R22	4	ZB58 (BOM 524)	48
R404A/R507 & R134a	5	ZB66~ZB88 (BOM 524)	49
Application Guide		<i>Rotalock Connection</i>	50-53
1. Scroll Compression process	6-6	ZB15~ZB29 (BOM 523)	50
2. Compressor Internal Protections	7-8	ZB38~ZB48 (BOM 523)	51
3. Compressor Information	8-10	ZB58 (BOM 523)	52
4. System Protection Guidelines	10-11	ZB66~ZB88 (BOM 523)	53
5. Testing Guidelines	11-13	<i>Brazing & Sight Glass</i>	54-55
6. Field & Installation Guidelines	13-14	ZB15~ZB29 (BOM 558)	54
Performance Data	15-43	ZB38~ZB48 (BOM 558)	55
R22 50Hz 1-Phase	15-16	<i>Brazing, Sight Glass & Oil Schrader Valve</i>	56-59
R22 50Hz 3-Phase	17-21	ZB58 (BOM 550)	56
R404A/R507 50Hz 1-Phase	22	ZB66~ZB88 (BOM 550)	57
R404A/R507 50Hz 3-Phase	23-25	ZB95~ZB114 TFD (BOM 550)	58
R134a 50Hz 1 & 3-Phase	26-28	ZB95~ZB114 TW7/TW5 (BOM 550)	59
R22 60Hz 1-Phase	29-30	<i>Rotalock & Sight Glass</i>	60-61
R22 60Hz 3-Phase	31-35	ZB15~ZB29 (BOM 559)	60
R404A/R507 60Hz 1-Phase	36-37	ZB38~ZB48 (BOM 559)	61
R404A/R507 60Hz 3-Phase	38-40	<i>Rotalock, Sight Glass & Oil Schrader Valve</i>	62-65
R134a 60Hz 1 & 3-Phase	41-43	ZB58 (BOM 551)	62
Technical Data	44-45	ZB66~ZB88 (BOM 551)	63
		ZB95~ZB114 TFD (BOM 551)	64
		ZB95~ZB114 TW7/TW5 (BOM 551)	65
		Electrical Wiring Diagram	66-67
		ZB15-ZB114	66
		ZB15-ZB114 Control Circuit	67

ZB Series

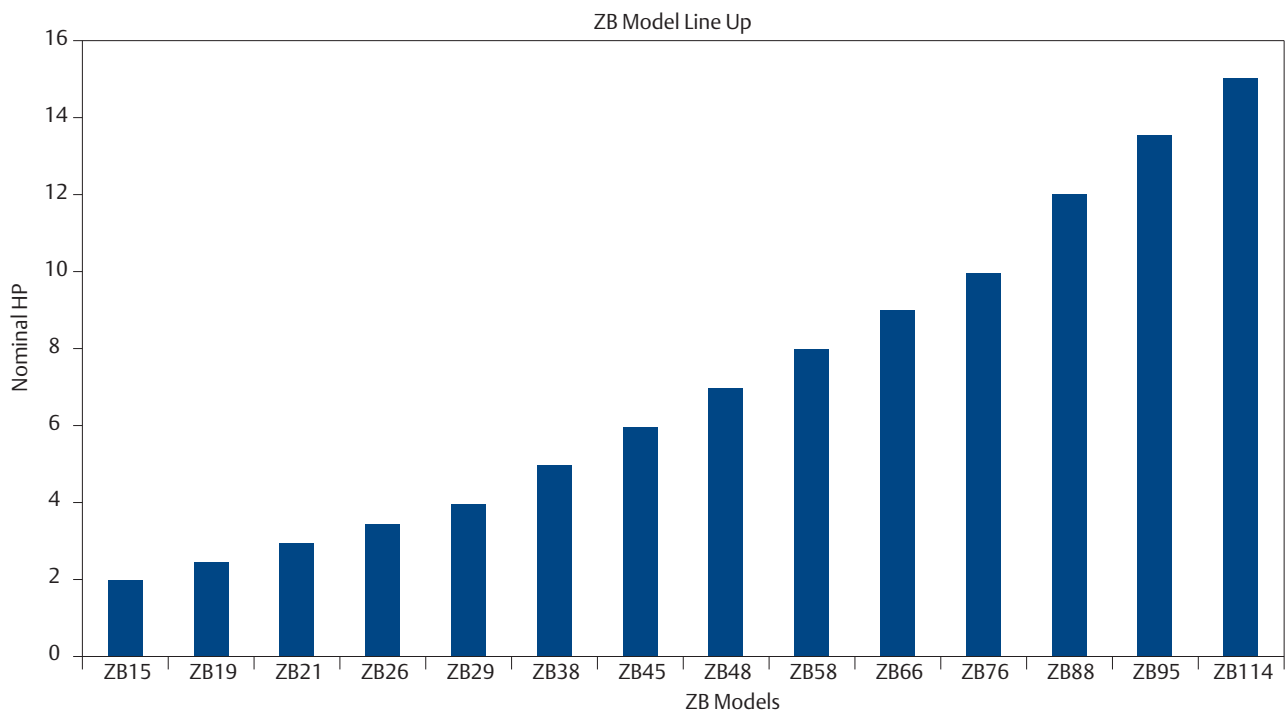
General Information

ZB Scroll Compressors For Refrigeration And Process Cooling:

In the years since Emerson Climate Technologies introduced ZB scroll compressors for medium-high temperature refrigeration and process cooling applications, it has been well received by our customers. ZB scroll compressors are revolutionizing this segment of the industry by providing the following benefits to our customers.

- * Complete range between 2-15 HP
- * Proven reliability
- * Superior efficiency
- * Low sound levels
- * Availability for HFC and HCFC refrigerants
- * All voltage offering
- * Oil sight glass & Rotalock features

Customers can be confident that ZB scroll compressors are coming from Emerson Climate Technologies' experience of over 80 million scroll compressors. ZB scroll compressors are manufactured in our scroll factories in Suzhou, China and Rayong, Thailand. To our customers, this gives additional value by lower inventory and reduced shipping cost.



Description of Features

Dual Compliance

Compliance means sealing between the orbiting and fixed scroll involutes. Dual compliance means the sealing is on both the axial and radial directions. This prevents refrigerant leak back across successive scroll pressure pockets. Compliance design also allows the scroll involutes to separate in both the radial and axial directions. This allows debris or liquid refrigerant to pass through the scroll involutes without damaging the compressor. Benefits of Dual Compliance are:

- * Increased efficiency
- * Better liquid handling capability
- * Better handling of debris

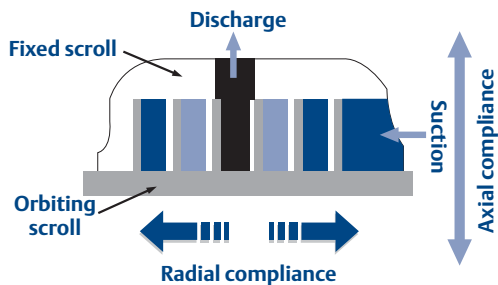


Figure 1

Scroll Wear In

The scroll involutes of Copeland scroll compressor wear in, rather than wear out. So unlike in other compressor technologies among similar categories, there is no constant degradation of performance with time due to wear out.

Lower sound, vibration and pulsation

The compression process in a scroll set is symmetrical and continuous. This inherently reduces the sound, vibration and pulsation. This eliminates the need for use of vibration absorbers and suction or discharge mufflers in most of the applications. In further, ZB scroll compressors are engineered to produce smooth sound spectrum which improves the quality of sound.

Unloaded Start

The scroll sets separate at the instant of compressor shutdown. This allows the scroll set internal pressures to equalize on compressor stops. In addition to this, the scroll sets are not engaged at the instant of starting. Scroll sets engage only after few milliseconds of startup. This allows easier startup of ZB scroll compressors. Due to this design feature, typically a start assist kit is not required even on single phase compressors.

DU bearings

A space age bearing material comprising of porous bronze with PTFE-lead overlay. These bearings are used in ZB scroll compressors in the scroll drive and main bearings. DU bearings work with exceptionally low friction between the load bearing surfaces. In addition, DU bearings can operate safely for a short time with loss of lubrication. This situations could happen on compressor applications due to oil pump out during a flooded start or heavy oil dilution after a defrost cycle.

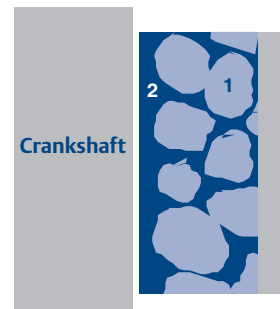
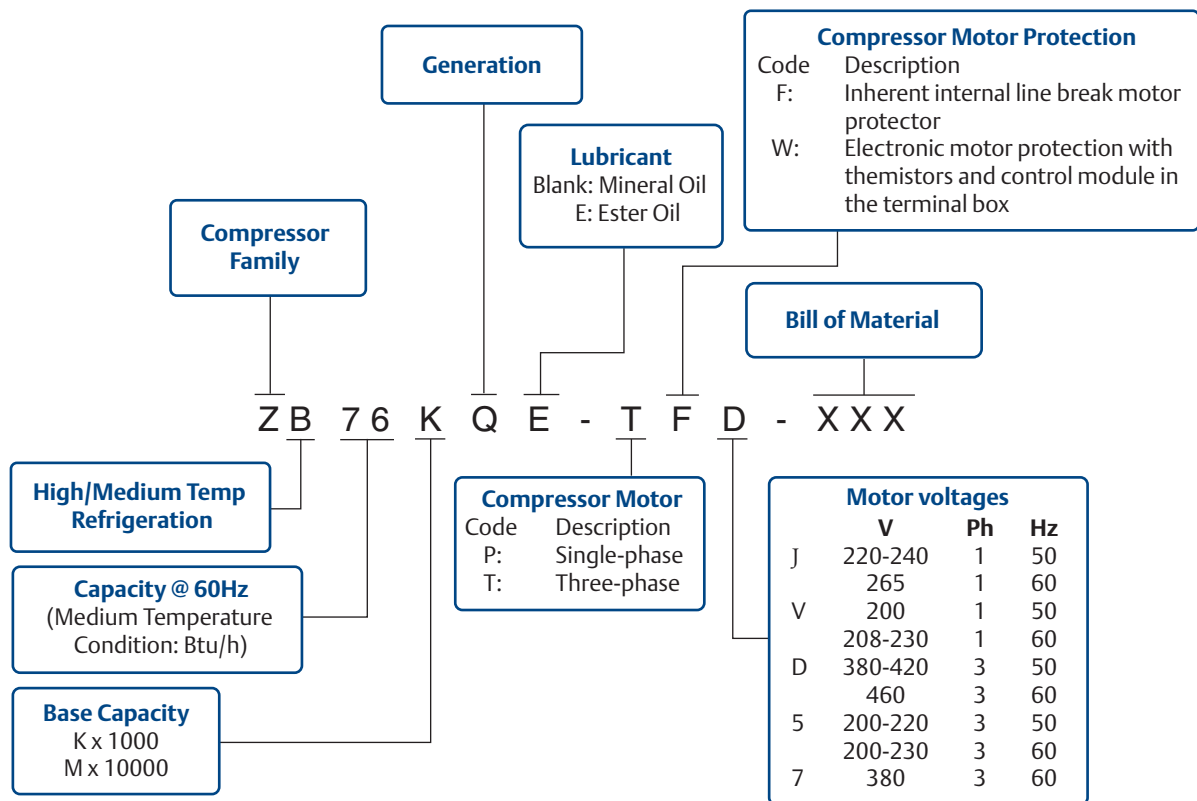


Figure 2

All specifications in this catalogue are subject to change without notice.



Bill of Material (BOM)

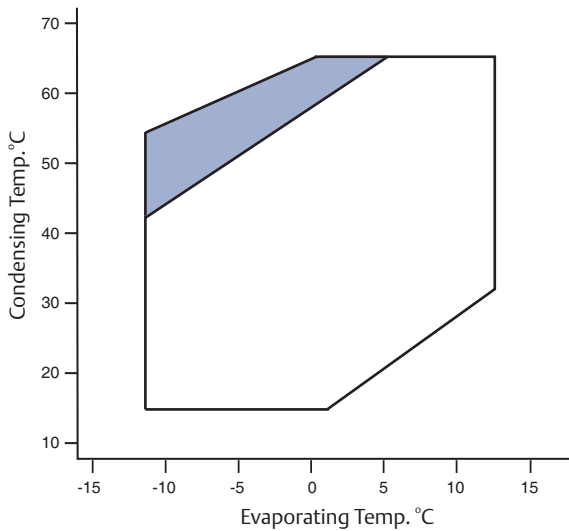
Compressor Model	BOM Number	Suction & Discharge Brazing Connection	Suction & Discharge Rotalock Connection	Oil Sight Glass	Schrader Valve
ZB15-ZB48	523		X		
	524	X			
	558	X		X	
	559		X	X	
ZB58-ZB114	523*		X		
	524*	X			
	550	X		X	X
	551		X	X	X

*Not applicable for ZB95/114 models.

Application Envelope

R22

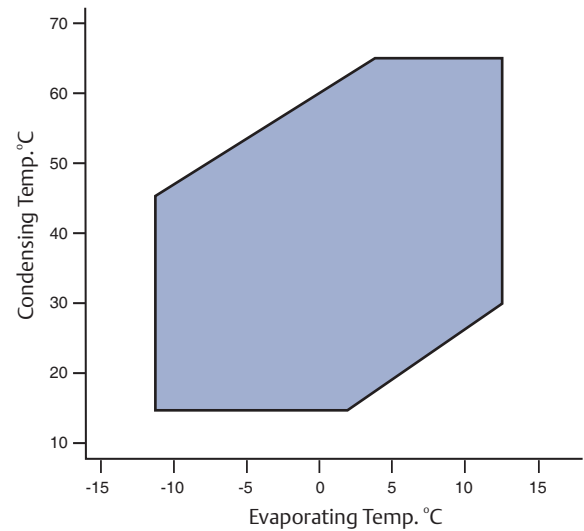
ZB15~ZB88



Note:

1. Envelope In Non Shaded Region, max return gas temperature of 18.3°C
2. Envelope In Shaded Region, Max superheat of 11K only

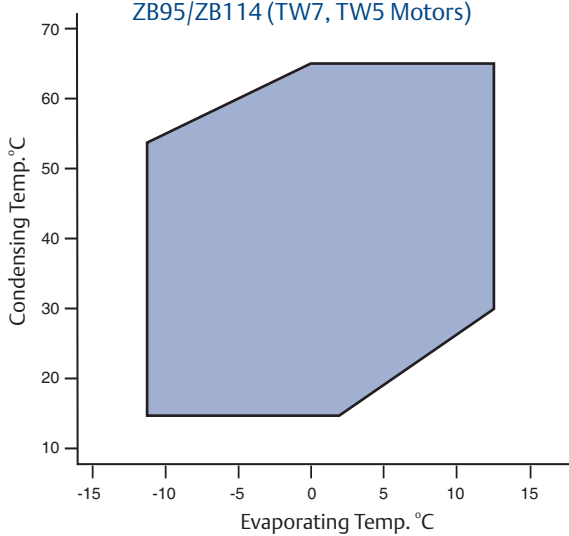
ZB95/ZB114 (TFD Motor Only)



Note:

1. Envelope In Non Shaded Region, max return gas temperature of 18.3°C
2. Envelope In Shaded Region, Max superheat of 11K only

ZB95/ZB114 (TW7, TW5 Motors)



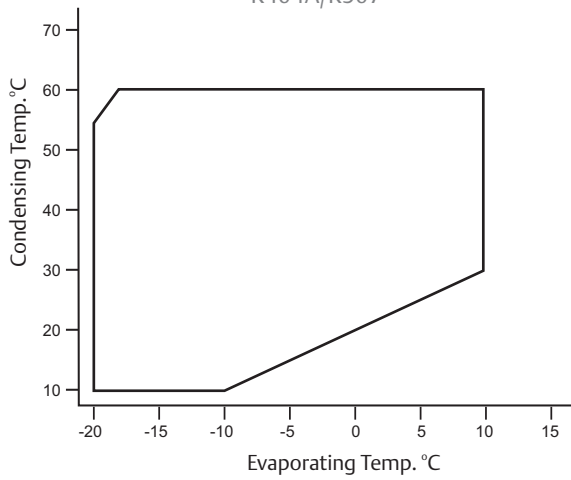
Note:

1. Envelope In Non Shaded Region, max return gas temperature of 18.3°C
2. Envelope In Shaded Region, Max superheat of 11K only
3. TW5-R22 approved only at 60Hz.

Application Envelope

R404A/R507 & R134a

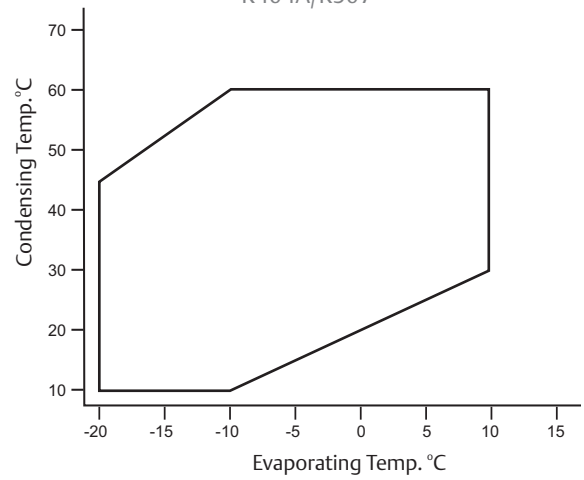
ZB15~ZB88
R404A/R507



Note:

1. Envelope In Non Shaded Region, max return gas temperature of 18.3°C
2. Envelope In Shaded Region, Max superheat of 11K only

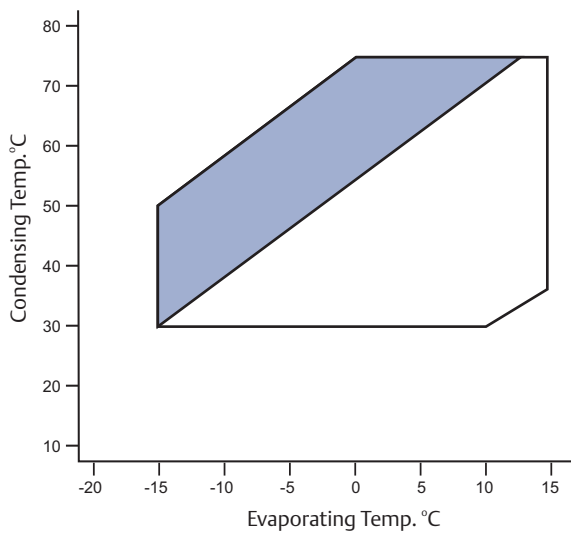
ZB95/ZB114
R404A/R507



Note:

1. Envelope In Non Shaded Region, max return gas temperature of 18.3°C
2. Envelope In Shaded Region, Max superheat of 11K only

ZB15~ZB76
R134a



Note:

1. Envelope In Non Shaded Region, max return gas temperature of 18.3°C
2. Envelope In Shaded Region, Max superheat of 11K only

1. Scroll Compression process



Compression in the scroll is created by the interaction of an orbiting spiral and a stationary spiral. Gas enters the outer openings as one of the spirals orbits.



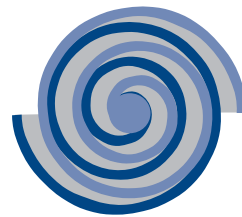
The open passages are sealed off as gas is drawn into the spiral.



As the spiral continues to orbit, the gas is compressed into two increasingly smaller pockets.



By the time the gas arrives at the center port, discharge pressure has been reached.



Actually, during operation, all six gas passages are in various stages of compression at all times, resulting in nearly continuous suction and discharge.

The scroll is a simple compression concept first patented in 1905. A scroll is an involute spiral which, when matched with a mating scroll form as shown above, generates a series of crescent-shaped gas pockets between the two members. During compression, one scroll remains stationary (fixed scroll) while the other form (orbiting scroll) is allowed to orbit (but not rotate) around the first form. As this motion occurs, the pockets between the two forms are slowly pushed to the center of the two scrolls while simultaneously being reduced in volume. When the pocket reaches the center of the scroll form, the gas, which is now at a high pressure, is discharged out of a port located at the center. During compression, several pockets are being compressed simultaneously, resulting in a very smooth process. Both the suction process (outer portion of the scroll members) and the discharge process (inner portion) are continuous.

2. Compressor Internal Protections

2.1 Internal Pressure Relief Valve:

Models ZB15- ZB48 has internal pressure relief valve, which open at a discharge to suction differential pressure of 375 to 450 psi. This action will trip the motor protector and remove the motor from the line.

Models ZB58 - ZB114 do not have internal pressure relief valves. To ensure safe operation, a high pressure control must be used in all applications.

The high pressure control should have a manual reset feature for the highest level of system protection. Maximum cut out settings are listed in **Table 1** If the compressor is fitted with a Rotalock valve the high pressure switch MUST be connected on the compressor side of the valve.

Compressors require a low pressure control for loss of charge protection. If allowed to go undetected, loss of system charge will result in overheating and damage to the scrolls and floating seal. Prolonged operation with low charge will result in decomposition of the oil that might require complete system replacement. Minimum cut out settings are listed in **Table 1**. The low pressure cut-out, if installed in the suction line to the compressor, can provide additional protection against a TXV failed in the closed position, a closed liquid line service valve, or a blocked liquid line screen, filter, orifice, or TXV. All of these can starve the compressor for refrigerant and result in compressor failure. The low pressure cut-out should have a manual reset feature for the highest level of system protection. If a compressor is allowed to cycle after a fault is detected, there is a high probability that the compressor will be damaged and the system contaminated with debris from the failed compressor and decomposed oil. If the compressor is fitted with a Rotalock valve the low pressure switch MUST be connected on the compressor side of the valve.

Table 1
Pressure Setting Recommendations

Model	Control Type	R22	R404A/R507	R134a
ZB15-ZB48	Low	1.3Kg/cm ²	1.2Kg/cm ²	0.3Kg/cm ²
ZB58-ZB114	High	28.7Kg/cm ²	31.88Kg/cm ²	23.9Kg/cm ²
	Low	1.3Kg/cm ²	1.2Kg/cm ²	0.3Kg/cm ²

2.2 Internal Scroll Temperature Protection

Events such as loss of charge, condenser fan failure, or low side charging with inadequate pressure will cause the discharge gas to quickly rise. Excessively high discharge gas temperatures would affect the scroll compressor reliability. To prevent damage to scroll compressors ZBKQ/E scroll compressors are built-in with internal scroll temperature protection.

Compressor models ZB15-ZB48 incorporate a thermo disc which is a temperature-sensitive snap disc device located at the scroll discharge port. It is designed to open and route hot discharge gas back to the motor protector thus removing the compressor from the line.

Compressor models ZB58-ZB114 models incorporate ASTP feature (Advanced Scroll Temperature Protection). ASTP feature will cause the scrolls to separate and stop pumping but allow the motor to continue to run. After the compressor runs for some time without pumping gas, the motor protector will open.

Depending on the heat build up in the compressor, it may take up to two hours for the motor protector to reset.

2.3 Motor Protection

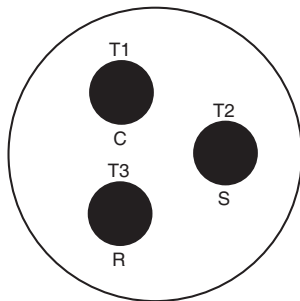
For the models with a motor protection code "F", an internal line break motor protector is located in the center of the Y of the motor windings. This protector disconnects all three phases in case of an overload or over-temperature condition. The protector reacts to a combination of motor current and motor winding temperature. The internal protector protects against single phasing. Time must be allowed for the motor to cool down before the protector will reset. If current monitoring to the compressor is available, the system controller can take advantage of the compressor internal protector operation. The controller can lock out the compressor if current draw is not coincident with contactor energizing, implying that the compressor has shut off on its internal protector. This will prevent unnecessary compressor cycling on a fault condition until corrective action can be taken.

Models ZB95KQ/E and ZB114KQ/E with motor protection code “W” use a combination of sensors and an electronic module (INT69SU) for motor protection. For the INT69SU, there are four PTC (positive temperature coefficient) internal thermistors connected in series that react with avalanche resistance in the event of high temperatures. All four are used to sense motor temperature. The thermistor circuit is connected to the protector module terminals S1 and S2. When any thermistor reaches a limiting value, the module interrupts the control circuit and shuts off the compressor. After the thermistor has cooled sufficiently, the resistance will decrease, thus allowing the module to reset. However, the module has a 30-minute time delay before reset after a thermistor trip. If the INT69SU module is applied in conjunction with a Programmable Logic Controller, it is important that a minimum load is carried through the M1-M2 control circuit contacts. The minimum required current through the module relay contacts needs to be greater than 100 milliamps but not to exceed 5 amps. If this minimum current is not maintained, this has a detrimental effect upon the long-term contact resistance of the relay and may result in false compressor trips. PLC operated control circuits may not always provide this minimum current. In these cases modifications to the PLC control circuit are required. Consult your application engineering department for details.

3. Compressor Information

3.1 Fusite (Terminal)

Fusite (Terminal) pin orientation for single-phase and three phase refrigeration scroll compressors are shown in **Figure 1** and inside the terminal box.



Motor Terminal (Fusite) Connections for Single Phase and Three Phase Scrolls

Figure 1

3.2 Rotation Direction of Three Phase Scroll Compressors

Scroll compressors will only compress in one rotational direction. Direction of rotation is not an issue with single phase compressors since they will always start and run in the proper direction. Three phase compressors will rotate in either direction depending upon phasing of the power. Since there is a 50-50 chance of connecting power in such a way as to cause rotation in the reverse direction, it is important to include notices and instructions in appropriate locations on the equipment to ensure proper rotation direction when the system is installed and operated. Verification of proper rotation direction is made by observing that suction pressure drops and discharge pressure rises when the compressor is energized. Reverse rotation of a scroll compressor also results in substantially reduced current draw compared to specification sheet values. Suction temperature will be high, discharge temperature will be low and the compressor may be abnormally noisy. There is no negative impact on durability caused by operating three phase Copeland Scroll compressors in the reversed direction for a short period of time (under one hour). In models ZB58 - ZB114 oil may be lost. This oil loss can be prevented during reverse rotation if the suction tubing is routed at least six inches (15 cm) above the compressor. After several minutes of operation in reverse, the compressor's motor protection system will trip the compressor off. If allowed to repeatedly restart and run in reverse without correcting the situation, the compressor will be permanently damaged.

All three phase scroll compressors are identically wired internally. As a result, once the correct phasing is determined for a specific system or installation, connecting properly phased power leads to the same terminals will maintain proper rotation direction.

Brief Power Interruptions

Brief power interruptions (less than ½ second) may result in powered reverse rotation of single-phase refrigeration scroll compressors. High-pressure discharge gas expands backward through the scrolls at power interruption causing the scroll to orbit in the reverse direction. If power is reapplied while this reversal is occurring, the compressor may continue to run noisily in the reverse direction for several minutes until the compressor internal protector trips. This has no negative effect on durability. When the protector resets, the compressor will start and run normally.

No time delay is required on three phase models to prevent reverse rotation due to power interruptions.

3.3 Oil Types

In HCFC R-22 applications, mineral oil is used in the compressor. Polyol ester lubricants must be used with HFC refrigerants (R404A, R507 and 134a). Compressors using polyol ester oil are identified with an "E" in the model number. A separate form may be requested (**Form 93-11**) which lists Emerson approved lubricants that may be used to recharge these compressors or if the addition of oil is required. See compressor nameplate for original oil charge. A complete recharge should be four ounces (118 ml) less than the original oil charge. If the oil level is above the sight glass, it may lead to oil circulation rates higher than 1.5% which may lead to decreased capacity as the oil coats the evaporator coils.

3.4 Deep Vacuum Operation

WARNING: DO NOT RUN A REFRIGERATION SCROLL COMPRESSOR IN A VACUUM. FAILURE TO HEED THIS ADVICE CAN RESULT IN PERMANENT DAMAGE TO THE COMPRESSOR.

A low-pressure control is required for protection against vacuum operation. See the section on pressure controls for the proper set points. (See Table 1)

Scrolls compressors (as with any refrigeration compressor) should never be used to evacuate refrigeration or air conditioning systems.

The scroll compressor can be used to pump-down refrigerant in a unit as long as the pressures remain within the operating envelope. Low suction pressures will result in overheating of the scrolls and permanent damage to the compressor drive bearing or cause the scroll temperature protection to activate.

3.5 Shell Temperature

Certain types of system failures, such as condenser or evaporator fan blockage or loss of charge, may cause the top shell and discharge line to briefly but repeatedly reach temperatures above 350°F (177°C) as the compressor cycles on its internal protection devices. Care must be taken to ensure that wiring or other materials, which could be damaged by these temperatures, do not come in contact with these potentially hot areas.

3.6 Suction and Discharge Fittings

Scroll compressors are available with stub tube or Rotalock connections. The stub tube version has copper plated steel suction and discharge fittings. These fittings are far more rugged than copper fittings used on other compressors. Due to the different thermal properties of steel and copper, brazing procedures may have to be changed from those commonly used. Assembly and brazing procedures are explained in the later part of application guide.

3.7 Starting Characteristics Of Single-Phase Compressors

Single-phase scroll compressors are designed with PSC type motors and therefore will start without the need of start assist devices in most applications. However, if low voltage conditions exist at start up, protector trips can result. Therefore, start assist devices (start capacitors and relays) are available to maximize starting characteristics under abnormal conditions.

3.8 Special handling consideration for ZB58-ZB114

ZB58- ZB114 model compressors have the suction fitting located low on the shell. Due to this, its recommended to leave the suction connection plug in place until the compressor is set into the unit. The discharge connection plug should be removed first before pulling the suction connection plug to allow the dry air pressure inside the compressor to escape. Pulling the plugs in this sequence prevents oil mist from coating the suction tube making the brazing difficult.. The copper coated steel suction tube should be cleaned before brazing. No object (example a swaging tool) should be inserted deeper than 50mm into the suction tube or it might damage the suction screen and motor.

4. System Protection Guidelines

4.1 Accumulator Requirement:

Due to the scrolls' inherent ability to handle liquid refrigerant in flooded start and defrost cycle operation conditions, accumulators may not be required. An accumulator is required on single compressor systems when the charge limitations exceed those values listed in **Table 2**. On systems with defrost schemes or transient operations that allow prolonged uncontrolled liquid return to the compressor, an accumulator is required.

Excessive liquid flood back or repeated flooded starts will dilute the oil in the compressor causing inadequate lubrication and bearing wear. Proper system design will minimize liquid flood back, thereby ensuring maximum compressor life.

Table 2
Charge Limitations

Models	Charge Limits
ZB15- ZB48	4.5 Kgs
ZB58-ZB114	7 Kgs

4.2 Crankcase Heaters Requirement

Single-phase models

No crankcase heaters are required on single-phase scroll compressors.

Three-phase models

ZB15–ZB48- outdoor only

Crankcase heaters are required on three phase compressors where the system charge exceeds 4.5 Kgs. Table 3 lists the specification of applicable crankcase heaters.

ZB58-ZB114

Crankcase heaters are required where the system charge exceeds 7 Kgs. The crankcase heater must be located below the suction inlet. Table 3 lists the specification of applicable crankcase heaters.

Table 3
Crankcase Heater

Model	Part No	Volts	Watts	Length
ZB15-ZB48	018-0072-04	240	70	48" (122 mm)
ZB58-ZB114	018-0067-01	240	90	48" (122 mm)

The listed crankcase heaters are intended for use only when there is limited access (Table 3). The heaters are not equipped for use with electrical conduit. Where applicable, electrical safety codes require lead protection, a crankcase heater terminal box should be used. Recommended crankcase heater terminal box and cover part kit numbers are available with Copeland Application Engineering Department.

The crankcase heater must remain energized during the compressor off cycles.

The initial start in the field is a very critical period for any compressor because all load bearing surfaces are new and require a short break-in period to carry high loads under adverse conditions. **The crankcase heater must be turned on a minimum of 12 hours prior to starting the compressor.** This will prevent oil dilution and bearing stress on initial start up. If it is not feasible to turn on the crankcase heater 12 hours in advance of starting the compressor, then use one of the techniques listed below to prevent possible flooded start damage to the compressor: 1) Direct a 500 watt heat lamp or other safe heat source at the lower shell of the compressor for approximately 30 minutes to boil off any liquid refrigerant prior to starting; or 2) Bump start the compressor by manually energizing the compressor contactor for about one second. Wait five seconds and again manually energize compressor for one second. Repeat this cycle several times until the liquid in the shell has been boiled off and the compressor can be safely started and run continuously.

4.3 Pump-Down Cycle

A pump-down cycle for control of refrigerant migration may be used instead of, or in conjunction with, a crankcase heater when the compressor is located so that cold air blowing over the compressor makes the crankcase heater ineffective. **A separate external check valve must be added to the discharge line if pump-down is used.** The built-in scroll discharge check valve is designed to stop extended reverse rotation and prevent high pressure gas from leaking rapidly into the low side after shut off. High side leak-back through the check valve may exceed amounts typically found in reciprocating compressors with reed valves. This can cause the compressor to recycle more frequently. Repeated short-cycling of this nature can result in low compressor oil and consequent damage to the compressor. The recommended external check valve will prevent the frequent recycling due to leak-back. The low pressure control cut-in and cut-out settings have to be reviewed since a relatively large volume of gas will re-expand from the high side of the compressor into the low side on shut down. Emerson recommends that the cut out setting of the pump-down pressure control be set no more than a few degrees of equivalent saturated pressure below the lowest expected normal operating pressure. It is not necessary to pump-down into nearly a vacuum to remove all liquid refrigerant for the low side. To achieve a fairly wide control differential the cut in setting should be set a few degrees of equivalent saturated pressure below the lowest expected temperature of the medium that is cooled. Copeland Scroll compressors trap a considerable volume of high pressure gas between the muffler plate and the top cap. When the compressor shuts down the trapped gas will expand back into the suction side of the system. This frequently causes a pulse of pressure to propagate down the suction line and can cause the low pressure switch to reset. The compressor must not be allowed to short cycle which may result in oil pump out. The electrical circuitry should be arranged so that compressor restart is triggered by demand from the thermostat rather than a reset low pressure switch. Setting a wider differential between the cutout and cut in pressures of a low pressure switch may solve the short cycling problem but may also result in unacceptable temperature swings in the cooled space. If short cycling cannot be avoided, using a 3 minute time delay will limit the cycling of the compressor to an acceptable level.

4.4 Filter Screens In System

The use of screens finer than 30 x 30 mesh (0.6 mm openings) anywhere in the system is not recommended. Field experience has shown that finer mesh screens used to protect thermal expansion valves, capillary tubes, or accumulators can become temporarily or permanently plugged with normal system debris and block the flow of either oil or refrigerant to the compressor. Such blockage can result in compressor failure.

5. Testing Guidelines

5.1 Compressor Hi-Pot Testing

Refrigeration scroll compressors are configured with the motor in the bottom of the shell. Unlike most other hermetic compressors, the motor of a scroll compressor can be immersed in refrigerant when liquid is present in the shell. Hi- Pot tests with liquid refrigerant in the shell can show higher levels of current leakage due to the higher electrical conductivity of liquid refrigerant vs. refrigerant vapor and oil. This phenomenon can occur with any compressor when the motor is immersed in refrigerant and does not present any safety issue. To lower the current leakage reading, operate the system for a brief period of time redistributing the refrigerant to a more normal configuration and test again. Under no circumstances should the Hipot test be performed while the compressor is in vacuum.

5.2 Scroll Compressor Functional Check

A functional compressor test with the suction service valve closed to check how low the compressor will pull suction pressure is not a good indication of how well a compressor is performing. Such a test will almost certainly damage a scroll compressor. The following diagnostic procedure should be used to evaluate whether a Copeland Scroll compressor is working properly.

1. Proper voltage to the unit should be verified.
2. The normal checks of motor winding continuity and short to ground should be made to determine if the inherent overload motor protector has opened or if an internal motor short or ground fault has developed. If the protector has opened, the compressor must be allowed to cool sufficiently to allow it to reset.

3. Proper indoor and outdoor blower/fan operation should be verified.
 4. With service gauges connected to suction and discharge pressure fittings, turn on the compressor. If suction pressure falls below normal levels, the system is either low on charge or there is a flow blockage in the system.
 5. In single Phase Compressors, if suction pressure does not drop and discharge pressure does not rise to normal levels the compressor is faulty. But in Three Phase compressors, reverse any two of the compressor power leads and reapply power to make sure compressor was not wired to run in reverse direction.
 6. Before replacing, be certain that the compressor is actually defective. As a minimum, recheck a compressor returned from the field in the shop or depot for Hipot, winding resistance, and ability to start. Experience shows that more than one third of compressors are determined to have nothing found wrong. They were mis-diagnosed in the field as being defective. Replacing working compressors unnecessarily costs everyone.
 7. **NEVER** test a scroll compressor by closing the suction valve or the liquid feed to the evaporator and pumping the compressor into a vacuum.
- Determine the control voltage by using a voltmeter and then measure the voltage across the M1-M2 contacts:
 - a. If the measured voltage is equal to the control volts then the M1-M2 contacts are open.
 - b. If the measurement is less than 1 volt and the compressor is not running, then the problem is external to the INT69SU module.
 - c. If the voltage is greater than 1 volt but less than the control voltage, the module is faulty and should be replaced.

Sensor Troubleshooting

- Remove the leads from S1-S2, and then by using an ohmmeter measure the resistance of the incoming leads.

CAUTION: Use an Ohmmeter with a maximum of 9 VDC for checking – do not attempt to check continuity through the sensors with any other type of instrument. Any external voltage or current may cause damage requiring compressor replacement.

 - a. During normal operation, this resistance value should read less than 4500 ohms $\pm 20\%$.
 - b. If the M1-M2 contacts are open, the measured S1-S2 value is above 2750 ohms $\pm 20\%$ and the compressor has been tripped less than 30 minutes then the module is functioning properly.
- If the S1-S2 wire leads read less than 2750 ohms $\pm 20\%$ and the M1-M2 contacts are open, reset the module by removing the power to T1-T2 for a minimum of 5 seconds.
- Replace all wire leads and use a voltmeter to verify the M1-M2 contacts are closed.
- If the M1-M2 contacts remain open and S1-S2 are less than 2500 ohms, remove leads from the M1-M2 contacts and jumper together;

CAUTION: Compressor should start at this time. HOWEVER DO NOT LEAVE JUMPER IN PLACE FOR NORMAL SYSTEM OPERATIONS. THE JUMPER IS USED FOR DIAGNOSTIC PURPOSES ONLY.
- Go to Compressor Supply Voltage Troubleshooting.

5.3 Electronic Motor Protection Module and Sensor Functional Check

The following field troubleshooting procedure can be used to evaluate the solid state control circuit: Refer to **Table 4** for a technical data summary.

Module Voltage Supply Troubleshooting

- Verify that all wire connectors are maintaining a good mechanical connection. Replace any connectors that are loose.
- Measure the voltage across T1-T2 to ensure proper supply voltage.

Compressor Supply Voltage Troubleshooting

- Remove phase sensing leads from the module from L1/L2/L3.
- Use a voltmeter to measure the incoming 3 phase voltage on L1/L2/L3.
WARNING: L1/L2/L3 could be at a potential up to 600VAC.
- Ensure proper voltage on each phase.
- Remove power to the module for a minimum of 5 seconds to reset and replace all wire leads. Reenergize the module. If the M1-M2 contacts are open with proper voltage to T1-T2, L1/L2/L3 and proper resistance to S1-S2 then the module is faulty and should be replaced.

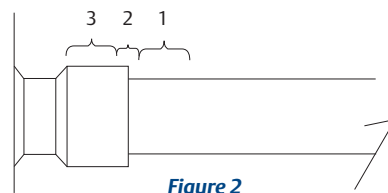
Table 4
Technical Data Summary Of Module

Emerson P/N	071-0641-00
Manufacturer P/N Kriwan 69SU	Kriwan 69SU
T1-T2 Module Power	
Voltage Supply	120V & 240V
Frequency	50Hz & 60Hz
M1-M2 Module Output Contacts	
Maximum Voltage	250VAC
Maximum Current	5 Amps
Minimum Current	100 milliamps
Relay Output	5 A, 300 VA
Power Output	<3 VA
S1-S2 Thermal Protection	
Trip Out Resistance	4500W ± 20%
Reset Resistance	2750W ± 20%
Reset Time	30 min ± 5 min
Manual Reset	T1-T2 interrupt for minimum of 5 sec
L1-L2-L3 Phase Monitoring	
Phase Sensor	Non Phase Sensing
Phase Monitoring Circuit Rating	Non Phase Sensing
Trip Delay	Non Phase Sensing
Lockout	Non Phase Sensing
Reset For Lockout	Non Phase Sensing

6. Field & Installation Guidelines

6.1 Assembly Line And Field Brazing

ZB Scroll compressors are available with stub tube and Rotalock connections. The stub tube version has copper plated steel suction and discharge fittings. Due to the different thermal properties of steel and copper, brazing procedures may have to be changed from those commonly used. The guidelines below give a description for assembly line and field brazing procedures.



New Installations

- The copper-coated steel suction and discharge tubes on scroll compressors can be brazed in approximately the same manner as any copper tube.
- Recommended brazing materials: Any silfos material is recommended, preferably with a minimum of 5% silver. However, 0% silver is acceptable.
- Be sure compressor tube fittings I.D. and connecting tube O.D. are clean prior to assembly. If oil film is present wipe with denatured alcohol, Dichloro-Trifluoroethane or other suitable solvent.
- Using a double-tipped torch apply heat in Area 1. As tube approaches brazing temperature, move torch flame to Area 2.
- Heat Area 2 until braze temperature is attained, moving torch up and down and rotating around tube as necessary to heat tube evenly. Add braze material to the joint while moving torch around joint to flow braze material around circumference.
- After braze material flows around joint, move torch to heat Area 3. This will draw the braze material down into the joint. The time spent heating Area 3 should be minimal.
- As with any brazed joint, overheating may be detrimental to the final result.

Field Service

Unbrazing System Components

CAUTION!

If the refrigerant charge is removed from a scroll unit by bleeding the high side only, it is sometimes possible for the scrolls to seal preventing pressure equalization through the compressor. This may leave the low side shell and suction line tubing pressurized. If a brazing torch is then applied to the low side, the pressurized refrigerant oil mixture could ignite as it escapes and contacts the brazing flame. It is important to check both the high and low sides with manifold gauges before unbrazing. In the case of an assembly line repair, remove the refrigerant from both the high and low sides. Instructions should be provided in appropriate product literatures and assembly areas

- To disconnect: Reclaim refrigerant from both the high and low side of the system. Cut tubing near compressor.
- To reconnect. Recommended brazing material is Silfos with minimum 5% silver or silver braze material with flux. Insert tubing stubs into fitting and connect to the system with tubing connectors. Follow **New Installation** brazing instructions.

Brazing Procedure

Figure 2 discusses the proper procedures for brazing the suction and discharge lines to a Copeland Scroll compressor. It is important to flow nitrogen through the system while brazing all joints during the system assembly process. Nitrogen displaces the air and prevents the formation of copper oxides in the system.

If allowed to form, the copper oxide flakes can later be swept through the system and block screens such as those protecting capillary tubes, thermal expansion valves, and accumulator oil return holes. The blockage - whether it is of oil or refrigerant - is capable of doing damage resulting in compressor failure.

6.2 Compressor Replacement after Motor Burn

In the case of a motor burn, the majority of contaminated oil will be removed with the compressor. The rest of the oil is cleaned through use of suction and liquid line filter dryers. A 100% activated alumina suction filter drier is recommended but must be removed after 72 hours. Separate bulletins are available on request for clean up procedures and for liquid line filter drier recommendations. AE Bulletin 24-1105 for clean up procedures AE Bulletin 11-1297 for liquid line filter drier recommendations.

It is highly recommended that the suction accumulator be replaced if the system contains one. This is because the accumulator oil return orifice or screen may be plugged with debris or may become plugged shortly after a compressor failure. This will result in starvation of oil to the replacement compressor and a second failure.

6.3 System Charging Procedure

Systems should be charged with liquid on the high side to the extent possible. The majority of the charge should be pumped into the high side of the system to prevent hi pot failures, and bearing washout during first time start. If additional charge is needed, it should be added as liquid, in a controlled manner, to the low side of the system with the compressor operating. Pre-charging on the high side and adding liquid on the low side of the system are both meant to protect the compressor from operating with abnormally low suction pressures during charging.

Do not start the compressor while the system is in a deep vacuum. Internal arcing may occur when a compressor is started in a vacuum Do not operate compressor without enough system charge to maintain at least 7 psig (0.5Kg/cm²) suction pressure. Do not operate with a restricted suction. Do not operate with the low pressure cut-out jumpered. Allowing pressure to drop below 2°F(-16°C) for more than a few seconds may overheat scrolls and cause early drive bearing damage or cause the scroll temperature protection to activate. Do not use compressor to test opening set point of high pressure cutout. Bearings are susceptible to high load damage before they have had several hours of normal running for proper break in. Never install a system in the field and leave it unattended with no charge, or with the service valves closed without securely locking out the system. This will prevent unauthorized personnel from accidentally operating the system and potentially ruining the compressor by operating with no refrigerant flow.

Performance Data

50 Hz

Q=Capacity (Watts) P=Power input (Watts) 1-Phase

Model	Condensing Temperature °C	Evaporating Temperature °C							
		-12	-10	-5	0	5	10	12.5	
ZB15KQ	Q	15	4000	4350	5250	6250			
		20	3850	4200	5050	6050	7200		
		30	3550	3850	4700	5600	6650	7900	8600
		40	3250	3500	4250	5150	6100	7250	7900
		50	2650	2900	3850	4600	5500	6550	7150
		55		2700	3400	4350	5200	6200	6750
		60			3150	3900	4850	5800	6350
	65				3600	4500	5400	5900	
	P	15	870	870	870	890			
		20	960	950	960	970	990		
		30	1150	1150	1150	1160	1170	1180	1180
		40	1400	1400	1390	1400	1400	1410	1400
		50	1730	1720	1710	1710	1710	1700	1700
		55		1910	1900	1900	1890	1890	1880
60				2120	2110	2110	2090	2080	
65				2360	2340	2330	2310		
ZB19KQ	Q	15	4650	5000	6050	7250			
		20	4450	4800	5850	6950	8300		
		30	4100	4450	5400	6450	7700	9100	9900
		40	3700	4050	4900	5900	7050	8350	9100
		50	3050	3350	4400	5300	6350	7550	8250
		55		3100	3900	5000	6000	7150	7800
		60			3600	4500	5600	6700	7350
	65				4150	5200	6250	6800	
	P	15	980	980	980	1000			
		20	1080	1070	1080	1090	1110		
		30	1300	1290	1290	1300	1320	1330	1330
		40	1580	1570	1570	1570	1580	1580	1580
		50	1940	1930	1930	1920	1920	1920	1910
		55		2150	2140	2140	2130	2120	2110
60				2390	2380	2370	2350	2340	
65				2650	2640	2620	2600		
ZB21KQ	Q	15	5850	6300	7650	9100			
		20	5600	6100	7350	8800	10450		
		30	5150	5600	6800	8150	9700	11500	12500
		40	4700	5100	6200	7450	8900	10550	11500
		50	3850	4200	5550	6700	8000	9550	10400
		55		3950	4900	6300	7550	9000	9850
		60			4550	5650	7050	8450	9250
	65				5200	6550	7850	8600	
	P	15	1360	1360	1370	1390			
		20	1500	1490	1500	1520	1550		
		30	1800	1800	1800	1810	1830	1850	1850
		40	2200	2190	2180	2190	2200	2200	2200
		50	2700	2690	2680	2680	2680	2670	2660
		55		3000	2980	2970	2970	2950	2940
60				3320	3310	3300	3270	3260	
65				3690	3670	3640	3620		

* Max return gas temperature of 18.3°C in non shaded region

* Max Suction superheat of 11K only in shaded region

* Sub cooling 0K

Performance Data

50 Hz

Q=Capacity (Watts) P=Power input (Watts) 1-Phase

Model	Condensing Temperature °C	Evaporating Temperature °C							
		-12	-10	-5	0	5	10	12.5	
ZB26KQ	Q	15	6750	7300	8800	10500			
		20	6450	7000	8500	10150	12050		
		30	5950	6450	7850	9400	11200	13300	14450
		40	5400	5900	7150	8600	10250	12200	13300
		50	4400	4850	6400	7750	9250	11000	12050
		55		4550	5700	7250	8700	10400	11350
		60			5250	6550	8150	9750	10650
	65				6000	7550	9050	9950	
	P	15	1470	1460	1470	1500			
		20	1610	1600	1610	1630	1660		
		30	1940	1930	1930	1950	1970	1980	1980
		40	2360	2350	2340	2350	2360	2360	2360
		50	2900	2890	2880	2870	2870	2860	2850
		55		3220	3200	3190	3190	3170	3150
60				3570	3550	3540	3520	3500	
65				3960	3940	3910	3890		
ZB29KQ	Q	15	7850	8550	10250	12050			
		20	7600	8300	10000	11800	13800		
		30	7000	7650	9300	11100	13050	15350	16650
		40	6400	6950	8500	10150	12050	14300	15600
		50	5400	5900	7650	9150	10900	13000	14250
		55		5650	6850	8600	10250	12250	13450
		60			6500	7800	9600	11500	12650
	65				7350	9000	10750	11800	
	P	15	1640	1660	1710	1770			
		20	1790	1800	1850	1900	1940		
		30	2120	2130	2170	2210	2250	2270	2280
		40	2530	2540	2580	2610	2650	2670	2670
		50	3030	3050	3090	3130	3160	3180	3190
		55		3340	3390	3430	3470	3490	3500
60				3720	3770	3810	3840	3850	
65				4150	4200	4230	4240		

* Max return gas temperature of 18.3°C in non shaded region

* Max Suction superheat of 11K only in shaded region

* Sub cooling OK

Performance Data

50 Hz

Q=Capacity (Watts) P=Power input (Watts) 3-Phase

Model	Condensing Temperature °C	Evaporating Temperature °C							
		-12	-10	-5	0	5	10	12.5	
ZB15KQ	Q	15	4050	4400	5250	6200			
		20	3900	4250	5100	6050	7150		
		30	3550	3900	4700	5650	6700	7850	8500
		40	3200	3500	4250	5150	6100	7250	7850
		50	2650	2900	3800	4550	5450	6500	7100
		55		2700	3350	4250	5100	6100	6650
		60			3100	3850	4750	5700	6200
	65				3550	4400	5250	5750	
	P	15	780	780	800	830			
		20	870	870	890	920	960		
		30	1090	1090	1100	1120	1150	1180	1180
		40	1350	1350	1370	1390	1410	1420	1420
		50	1680	1680	1700	1720	1740	1750	1740
		55		1880	1890	1920	1940	1940	1940
60				2110	2140	2160	2160	2160	
65				2380	2410	2410	2410		
ZB19KQ	Q	15	4650	5050	6050	7150			
		20	4500	4850	5850	7000	8200		
		30	4100	4450	5450	6500	7700	9050	9800
		40	3700	4050	4900	5900	7050	8350	9050
		50	3050	3300	4350	5250	6300	7500	8150
		55		3100	3850	4950	5900	7050	7700
		60			3600	4400	5500	6550	7150
	65				4100	5050	6050	6650	
	P	15	880	880	900	940			
		20	990	990	1010	1040	1090		
		30	1240	1240	1250	1280	1310	1340	1340
		40	1540	1540	1550	1570	1600	1620	1620
		50	1910	1910	1930	1950	1970	1980	1980
		55		2130	2150	2180	2200	2210	2200
60				2400	2430	2450	2460	2450	
65				2710	2730	2740	2730		
ZB21KQ	Q	15	5900	6350	7650	9050			
		20	5650	6150	7400	8800	10350		
		30	5200	5650	6850	8200	9700	11450	12400
		40	4650	5100	6200	7450	8900	10500	11450
		50	3800	4200	5500	6650	7950	9450	10300
		55		3900	4850	6200	7450	8850	9700
		60			4550	5550	6900	8250	9050
	65				5150	6400	7650	8350	
	P	15	1150	1150	1170	1220			
		20	1290	1290	1310	1350	1410		
		30	1610	1610	1620	1660	1700	1730	1740
		40	2000	1990	2010	2040	2080	2100	2100
		50	2480	2480	2500	2530	2560	2570	2570
		55		2760	2790	2820	2850	2860	2860
60				3110	3150	3180	3190	3180	
65				3510	3550	3550	3540		

* Max return gas temperature of 18.3°C in non shaded region

* Max Suction superheat of 11K only in shaded region

* Sub cooling 0K

Performance Data

Q=Capacity (Watts) P=Power input (Watts) 3-Phase

50 Hz

Model	Condensing Temperature °C	Evaporating Temperature °C							
		-12	-10	-5	0	5	10	12.5	
ZB26KQ	Q	15	6900	7500	8950	10650			
		20	6650	7200	8700	10350	12350		
		30	6100	6650	8050	9650	11550	13850	15150
		40	5550	6050	7350	8800	10550	12700	13950
		50	4600	5050	6600	7900	9450	11400	12550
		55		4750	5850	7400	8850	10700	11750
		60			5500	6650	8250	9950	10950
	65				6200	7650	9200	10150	
	P	15	1230	1200	1200	1220			
		20	1380	1360	1350	1380	1410		
		30	1740	1720	1710	1740	1770	1760	1730
		40	2210	2180	2170	2190	2210	2200	2170
		50	2840	2800	2770	2780	2790	2760	2720
		55		3190	3140	3140	3140	3100	3060
60				3570	3550	3540	3490	3440	
65				4030	4000	3930	3880		
ZB29KQ	Q	15	7900	8550	10250	12150			
		20	7600	8250	9900	11800	13900		
		30	6950	7550	9200	11000	13000	15350	16600
		40	6250	6800	8300	10000	11900	14100	15350
		50	5100	5600	7400	8900	10650	12700	13800
		55		5250	6500	8350	9950	11900	13000
		60			6050	7450	9250	11100	12100
	65				6900	8550	10250	11200	
	P	15	1460	1460	1490	1560			
		20	1640	1640	1670	1720	1790		
		30	2050	2040	2060	2110	2160	2210	2220
		40	2540	2540	2560	2600	2640	2670	2670
		50	3150	3160	3190	3230	3260	3280	3270
		55		3520	3550	3600	3630	3650	3640
60				3960	4010	4050	4060	4050	
65				4470	4510	4520	4510		
ZB38KQ	Q	15	9800	10600	12700	15050			
		20	9450	10200	12350	14650	17300		
		30	8650	9400	11400	13650	16150	19050	20650
		40	7750	8450	10300	12400	14800	17550	19050
		50	6350	6950	9200	11050	13250	15750	17150
		55		6500	8100	10350	12400	14800	16150
		60			7550	9250	11500	13800	15050
	65				8550	10650	12750	13950	
	P	15	1850	1850	1890	1970			
		20	2070	2070	2100	2180	2270		
		30	2580	2580	2610	2660	2730	2790	2810
		40	3210	3210	3230	3290	3340	3370	3380
		50	3980	3990	4020	4070	4120	4140	4130
		55		4450	4490	4540	4590	4600	4590
60				5010	5070	5110	5130	5110	
65				5650	5700	5710	5700		

* Max return gas temperature of 18.3°C in non shaded region

* Max Suction superheat of 11K only in shaded region

* Sub cooling 0K

Performance Data

50 Hz

Q=Capacity (Watts) P=Power input (Watts) 3-Phase

Model	Condensing Temperature °C	Evaporating Temperature °C							
		-12	-10	-5	0	5	10	12.5	
ZB45KQ	Q	15	11800	12750	15350	18350			
		20	11350	12300	14800	17700	21100		
		30	10450	11350	13700	16400	19500	23100	25100
		40	9450	10300	12500	14950	17800	21100	22950
		50	7650	8400	11100	13400	16000	18950	20650
		55		7750	9750	12500	15000	17850	19400
		60			8950	11150	13950	16650	18150
	65				10200	12800	15350	16800	
	P	15	2080	2100	2160	2230			
		20	2340	2360	2410	2470	2550		
		30	2950	2970	3010	3050	3100	3170	3230
		40	3710	3730	3760	3790	3810	3850	3890
		50	4650	4680	4710	4720	4730	4750	4770
		55		5230	5270	5280	5280	5290	5300
60				5890	5900	5890	5890	5890	
65				6590	6580	6570	6570		
ZB48KQ	Q	15	12950	14000	16900	20200			
		20	12500	13500	16300	19500	23200		
		30	11500	12450	15050	18050	21450	25400	27600
		40	10400	11300	13700	16450	19600	23200	25250
		50	8400	9250	12200	14700	17550	20850	22700
		55		8550	10750	13750	16500	19600	21350
		60			9850	12300	15350	18300	19950
	65				11200	14100	16900	18450	
	P	15	2290	2310	2380	2460			
		20	2570	2600	2660	2720	2810		
		30	3250	3270	3310	3350	3400	3490	3550
		40	4080	4100	4140	4160	4190	4240	4280
		50	5120	5140	5180	5200	5200	5220	5240
		55		5750	5800	5810	5810	5810	5830
60				6480	6490	6480	6480	6480	
65				7250	7240	7220	7220		
ZB58KQ	Q	15	15400	16650	20150	24200			
		20	14650	15900	19350	23300	27800		
		30	13300	14500	17750	21450	25700	30500	33150
		40	11850	13000	16100	19600	23550	28050	30500
		50	9250	10350	14150	17450	21150	25300	27600
		55		9300	12250	16200	19800	23800	26000
		60			11000	14250	18250	22150	24250
	65				12750	16600	20300	22350	
	P	15	2740	2760	2790	2860			
		20	3100	3110	3150	3210	3310		
		30	3900	3900	3930	3970	4050	4190	4270
		40	4880	4880	4890	4910	4960	5060	5120
		50	6140	6140	6120	6110	6120	6180	6220
		55		6900	6870	6840	6830	6860	6900
60				7720	7670	7640	7650	7670	
65				8620	8570	8540	8550		

* Max return gas temperature of 18.3°C in non shaded region

* Max Suction superheat of 11K only in shaded region

* Sub cooling 0K

Performance Data

Q=Capacity (Watts) P=Power input (Watts) 3-Phase

50 Hz

Model	Condensing Temperature °C	Evaporating Temperature °C							
		-12	-10	-5	0	5	10	12.5	
ZB66KQ	Q	15	17200	18650	22600	27150			
		20	16550	17950	21750	26150	31200		
		30	15300	16550	20100	24200	28850	34200	37100
		40	13950	15150	18450	22200	26500	31400	34050
		50	11400	12500	16550	20050	23950	28400	30850
		55		11600	14650	18800	22550	26800	29150
		60			13500	16850	21100	25100	27300
	65				15450	19450	23300	25400	
	P	15	2840	2850	2900	2970			
		20	3330	3350	3400	3480	3590		
		30	4270	4300	4360	4430	4540	4690	4790
		40	5340	5360	5410	5470	5550	5680	5760
		50	6710	6720	6740	6770	6820	6890	6950
		55		7560	7570	7580	7600	7650	7690
60				8540	8520	8510	8530	8550	
65				9620	9570	9560	9560		
ZB76KQ	Q	15	20300	22000	26750	32250			
		20	19500	21150	25700	30950	36900		
		30	18000	19500	23700	28550	34000	40150	43500
		40	16400	17850	21750	26150	31200	36850	39900
		50	13350	14700	19500	23600	28200	33350	36150
		55		13600	17200	22200	26600	31500	34200
		60			15800	19850	24850	29550	32100
	65				18150	22950	27450	29850	
	P	15	3020	3030	3060	3140			
		20	3700	3710	3750	3840	3990		
		30	4950	4970	5030	5110	5240	5470	5620
		40	6270	6300	6360	6430	6530	6700	6820
		50	7930	7950	8000	8040	8100	8210	8290
		55		8980	9020	9040	9070	9150	9210
60				10210	10210	10210	10240	10280	
65				11580	11550	11540	11550		
ZB88KQ	Q	15	23550	25400	30500	36150			
		20	22700	24550	29600	35200	41300		
		30	20850	22600	27500	32900	38850	45350	48750
		40	18750	20400	24950	30100	35800	42000	45300
		50	15100	16600	22050	26800	32100	37950	41050
		55		15300	19300	24950	30000	35650	38650
		60			17650	22150	27800	33150	36050
	65				20100	25400	30500	33200	
	P	15	3940	3980	4120	4350			
		20	4470	4500	4610	4800	5100		
		30	5660	5690	5770	5890	6080	6410	6620
		40	7120	7150	7220	7290	7410	7610	7760
		50	8920	8960	9040	9090	9150	9260	9350
		55		10030	10120	10160	10210	10280	10350
60				11320	11370	11400	11450	11490	
65				12720	12740	12760	12790		

* Max return gas temperature of 18.3°C in non shaded region
 * Max Suction superheat of 11K only in shaded region
 * Sub cooling 0K

Performance Data

50 Hz

Q=Capacity (Watts) P=Power input (Watts) 3-Phase

Model	Condensing Temperature °C	Evaporating Temperature °C							
		-12	-10	-5	0	5	10	12.5	
ZB95KQ	Q	15	25350	27400	33200	39950			
		20	24350	26350	31800	38200	45550		
		30	22350	24200	29350	35150	41800	49350	53550
		40	19550	21450	26500	32050	38250	45200	49000
		50			22450	28050	34100	40700	44250
		55				25350	31450	38000	41500
		60					28350	34900	38400
	65					24600	31250	34750	
	P	15	4660	4730	4990	5340			
		20	5170	5220	5410	5680	6040		
		30	6450	6490	6590	6740	6940	7200	7350
		40	8040	8080	8180	8280	8380	8510	8580
		50			10120	10230	10320	10380	10410
		55				11350	11460	11520	11530
60						12690	12770	12790	
65					14030	14140	14160		
ZB114KQ	Q	15	30500	32950	39700	47300			
		20	29400	31800	38400	45850	54250		
		30	26750	29050	35400	42500	50450	59350	64150
		40	23200	25550	31700	38550	46100	54500	59050
		50			27050	33700	41000	48950	53250
		55				30900	38050	45850	50050
		60					34850	42500	46600
	65					31350	38850	42850	
	P	15	5730	5790	5990	6250			
		20	6320	6380	6550	6780	7080		
		30	7760	7790	7920	8090	8330	8630	8820
		40	9610	9630	9710	9830	9990	10220	10360
		50			12030	12090	12190	12340	12440
		55				13460	13520	13630	13710
60						15020	15100	15150	
65					16710	16750	16780		

* Max return gas temperature of 18.3°C in non shaded region

* Max Suction superheat of 11K only in shaded region

* Sub cooling 0K

Performance Data

Q=Capacity (Watts) P=Power input (Watts) 1-Phase

50 Hz

Model	Condensing Temperature °C	Evaporating Temperature °C							
		-20	-15	-10	-5	0	5	10	
ZB15KQE	Q	10	3700	4500	5450				
		20	3350	4050	4900	5900	7000		
		30	2950	3600	4350	5250	6200	7300	8550
		40	2550	3150	3800	4550	5400	6350	7450
		50	2150	2600	3150	3800	4500	5350	6250
		60		2050	2500	3000	3600	4250	5050
	P	10	730	740	740				
		20	920	920	930	930	930		
		30	1150	1150	1160	1160	1160	1150	1140
		40	1440	1450	1450	1450	1450	1450	1440
		50	1800	1810	1810	1810	1810	1810	1800
		60		2250	2260	2260	2250	2250	2240
ZB19KQE	Q	10	4200	5100	6200				
		20	3850	4700	5700	6800	8150		
		30	3450	4200	5050	6100	7250	8600	10100
		40	3000	3650	4400	5300	6300	7450	8750
		50	2450	3000	3650	4400	5250	6200	7300
		60		2350	2850	3400	4100	4900	5800
	P	10	900	900	910				
		20	1140	1140	1140	1140	1140		
		30	1430	1430	1430	1430	1420	1410	1400
		40	1810	1810	1810	1800	1790	1780	1760
		50	2290	2290	2290	2280	2260	2240	2220
		60		2900	2890	2880	2860	2830	2800
ZB21KQE	Q	10	5350	6550	7950				
		20	4900	6000	7250	8700	10400		
		30	4400	5350	6500	7750	9250	10950	12900
		40	3800	4650	5600	6750	8050	9500	11200
		50	3150	3850	4650	5600	6700	7950	9350
		60		3000	3600	4350	5250	6250	7400
	P	10	1150	1150	1150				
		20	1450	1450	1450	1450	1450		
		30	1830	1830	1820	1820	1810	1800	1790
		40	2310	2310	2300	2290	2280	2260	2240
		50	2920	2920	2910	2900	2880	2860	2820
		60		3690	3680	3660	3640	3610	3570
ZB26KQE	Q	10	5950	7300	8900				
		20	5350	6600	8050	9800	11750		
		30	4700	5800	7100	8650	10400	12450	14800
		40	3950	4900	6050	7400	8950	10750	12850
		50	3100	3900	4900	6000	7350	8900	10750
		60		2800	3600	4500	5650	6950	8500
	P	10	1490	1470	1440				
		20	1880	1850	1810	1770	1730		
		30	2380	2330	2280	2230	2160	2100	2020
		40	3000	2950	2880	2810	2720	2630	2530
		50	3800	3730	3640	3550	3440	3320	3190
		60		4710	4600	4480	4350	4200	4040
ZB29KQE	Q	10	7100	8700	10600				
		20	6450	7900	9600	11550	13800		
		30	5700	7050	8550	10300	12250	14500	17000
		40	4900	6050	7400	8900	10650	12550	14750
		50	4000	5000	6150	7400	8850	10500	12350
		60		3800	4750	5800	7000	8300	9800
	P	10	1630	1660	1700				
		20	1930	1960	1990	2020	2070		
		30	2330	2350	2370	2400	2440	2480	2540
		40	2830	2850	2870	2890	2910	2950	2990
		50	3440	3470	3480	3500	3520	3550	3580
		60		4210	4240	4260	4270	4290	4320

* Max return gas temperature of 18.3°C in non shaded region

* Max Suction superheat of 11K only in shaded region

* Sub cooling 0K

Performance Data

50 Hz

Q=Capacity (Watts) P=Power input (Watts) 3-Phase

Model	Condensing Temperature °C	Evaporating Temperature °C							
		-20	-15	-10	-5	0	5	10	
ZB15KQE	Q	10	3650	4450	5450				
		20	3300	4050	4950	5950	7150		
		30	2900	3550	4350	5250	6300	7450	8800
		40	2400	3000	3700	4450	5350	6350	7450
		50	1850	2400	2950	3600	4300	5150	6100
		60		1650	2150	2650	3250	3900	4600
	P	10	780	750	700				
		20	1000	980	950	920	880		
		30	1270	1250	1230	1200	1170	1160	1160
		40	1670	1630	1590	1550	1510	1490	1490
		50	2260	2180	2100	2030	1970	1920	1900
		60		2970	2840	2710	2610	2520	2460
ZB19KQE	Q	10	4350	5350	6500				
		20	4000	4900	5900	7100	8500		
		30	3600	4350	5300	6350	7550	8950	10500
		40	3100	3800	4600	5500	6550	7750	9150
		50	2550	3150	3800	4600	5450	6500	7650
		60		2450	2950	3550	4300	5100	6050
	P	10	930	930	930				
		20	1170	1170	1170	1170	1170		
		30	1480	1480	1480	1470	1470	1460	1450
		40	1870	1870	1860	1860	1840	1830	1810
		50	2360	2360	2360	2350	2330	2310	2290
		60		2990	2980	2960	2940	2920	2890
ZB21KQE	Q	10	5250	6400	7800				
		20	4800	5850	7100	8550	10200		
		30	4300	5250	6350	7600	9050	10750	12600
		40	3700	4550	5500	6600	7850	9300	10950
		50	3100	3750	4550	5500	6550	7750	9150
		60		2900	3550	4300	5150	6100	7250
	P	10	1110	1110	1120				
		20	1400	1400	1400	1400	1400		
		30	1770	1770	1770	1760	1750	1750	1730
		40	2240	2240	2230	2220	2210	2190	2170
		50	2830	2830	2820	2810	2790	2770	2740
		60		3580	3570	3550	3530	3490	3460
ZB26KQE	Q	10	6100	7500	9100				
		20	5600	6850	8300	9950	11900		
		30	5000	6100	7400	8900	10600	12550	14750
		40	4350	5300	6400	7700	9200	10900	12800
		50	3600	4400	5350	6400	7650	9100	10700
		60		3400	4150	5000	6000	7150	8450
	P	10	1300	1300	1310				
		20	1640	1640	1640	1640	1640		
		30	2070	2070	2070	2060	2050	2040	2020
		40	2610	2610	2610	2600	2580	2560	2540
		50	3310	3310	3300	3280	3260	3240	3200
		60		4180	4170	4150	4120	4090	4040
ZB29KQE	Q	10	7100	8700	10550				
		20	6500	7950	9600	11550	13800		
		30	5800	7100	8600	10300	12300	14550	17100
		40	5050	6150	7450	8950	10650	12600	14850
		50	4150	5100	6200	7450	8900	10550	12400
		60		3950	4800	5800	6950	8300	9800
	P	10	1470	1480	1480				
		20	1860	1860	1860	1860	1860		
		30	2340	2350	2340	2340	2330	2310	2300
		40	2960	2960	2960	2950	2930	2910	2880
		50	3750	3750	3740	3730	3700	3670	3630
		60		4750	4730	4710	4680	4630	4580

* Max return gas temperature of 18.3°C in non shaded region

* Max Suction superheat of 11K only in shaded region

* Sub cooling 0K

Performance Data

Q=Capacity (Watts) P=Power input (Watts) 3-Phase

50 Hz

Model	Condensing Temperature °C	Evaporating Temperature °C							
		-20	-15	-10	-5	0	5	10	
ZB38KQE	Q	10	8950	10950	13300				
		20	8200	10000	12150	14600	17400		
		30	7350	8950	10850	13000	15500	18350	21550
		40	6350	7750	9400	11300	13450	15900	18700
		50	5250	6450	7800	9400	11200	13300	15650
		60		4950	6050	7300	8750	10450	12400
	P	10	1860	1870	1870				
		20	2350	2350	2350	2350	2350		
		30	2960	2960	2960	2950	2940	2920	2900
		40	3740	3740	3730	3720	3700	3670	3630
		50	4740	4740	4720	4700	4670	4630	4580
		60	0	5990	5970	5940	5900	5850	5790
ZB45KQE	Q	10	10450	12800	15550				
		20	9600	11750	14200	17100	20400		
		30	8600	10500	12700	15250	18150	21500	25250
		40	7450	9100	11000	13200	15750	18650	21900
		50	6150	7550	9150	11000	13100	15550	18350
		60		5800	7100	8550	10250	12200	14500
	P	10	2110	2110	2120				
		20	2660	2660	2660	2660	2660		
		30	3350	3350	3350	3340	3320	3310	3280
		40	4240	4240	4230	4210	4190	4150	4110
		50	5360	5360	5350	5320	5290	5240	5190
		60		6780	6760	6730	6680	6620	6550
ZB48KQE	Q	10	11500	14100	17100				
		20	10550	12900	15650	18800	22400		
		30	9450	11550	13950	16750	20000	23650	27800
		40	8150	10000	12100	14500	17300	20500	24100
		50	6750	8300	10050	12050	14400	17100	20150
		60		6400	7800	9400	11300	13450	15950
	P	10	2320	2320	2330				
		20	2920	2930	2930	2930	2920		
		30	3690	3690	3680	3670	3660	3640	3610
		40	4660	4660	4650	4630	4600	4570	4530
		50	5900	5900	5880	5860	5820	5770	5700
		60		7460	7440	7400	7350	7280	7200
ZB58KQE	Q	10	13750	16750	20300				
		20	12450	15250	18500	22250	26600		
		30	11100	13650	16600	19950	23800	28200	33200
		40	9450	11850	14500	17450	20800	24600	28900
		50	7400	9650	12000	14600	17500	20700	24350
		60		6850	9000	11250	13700	16350	19300
	P	10	3000	3080	3140				
		20	3640	3730	3820	3870	3870		
		30	4480	4540	4620	4690	4730	4710	4600
		40	5630	5630	5670	5720	5770	5770	5720
		50	7210	7120	7080	7090	7100	7100	7060
		60		9130	8980	8900	8850	8800	8740
ZB66KQE	Q	10	15700	19200	23350				
		20	14300	17450	21150	25450	30400		
		30	12750	15550	18800	22550	26900	31900	37550
		40	11050	13500	16350	19550	23250	27500	32350
		50	9100	11250	13650	16350	19450	22950	27000
		60		8650	10650	12850	15350	18150	21400
	P	10	3370	3450	3550				
		20	4100	4170	4260	4370	4510		
		30	5030	5090	5160	5250	5350	5480	5620
		40	6240	6290	6340	6390	6460	6540	6630
		50	7830	7850	7880	7900	7920	7950	7990
		60		9890	9870	9850	9830	9800	9780

* Max return gas temperature of 18.3°C in non shaded region

* Max Suction superheat of 11K only in shaded region

* Sub cooling 0K

Performance Data

50 Hz

Q=Capacity (Watts) P=Power input (Watts) 3-Phase

Model	Condensing Temperature °C	Evaporating Temperature °C							
		-20	-15	-10	-5	0	5	10	
ZB76KQE	Q	10	18400	22400	27150				
		20	16700	20350	24700	29700	35450		
		30	14900	18250	22150	26600	31700	37450	44000
		40	12900	15900	19350	23250	27650	32650	38300
		50	10600	13250	16200	19500	23250	27450	32200
		60		10050	12550	15250	18300	21750	25550
	P	10	3930	4030	4110				
		20	4750	4870	4980	5070	5130		
		30	5820	5930	6030	6130	6220	6270	6300
		40	7230	7310	7390	7480	7560	7620	7650
		50	9100	9120	9160	9210	9260	9300	9330
		60		11480	11440	11430	11430	11430	11430
ZB95KQE	Q	10	22750	27700	33700				
		20	20800	25300	30500	36700	43900		
		30	18550	22700	27400	32750	38950	46150	54500
		40	15600	19600	23850	28550	33900	40000	47050
		50		15500	19500	23750	28350	33550	39400
		60			13950	17850	21900	26300	31150
	P	10	4880	5050	5220				
		20	5980	6120	6290	6450	6590		
		30	7440	7540	7670	7810	7940	8040	8110
		40	9400	9430	9500	9590	9690	9780	9830
		50		11940	11920	11940	11980	11980	12020
		60			15070	14990	14950	14920	14880
ZB114KQE	Q	10	27350	33300	40300				
		20	24850	30350	36700	44050	52450		
		30	21900	27000	32750	39350	46800	55350	65050
		40	18300	23050	28250	34100	40700	48200	56700
		50		18250	23000	28200	33950	40450	47800
		60			16750	21350	26350	31900	38100
	P	10	5930	6080	6240				
		20	7240	7390	7540	7710	7880		
		30	8940	9050	9170	9310	9450	9610	9780
		40	11220	11260	11310	11380	11470	11570	11690
		50		14200	14150	14120	14110	14130	14160
		60			17870	17710	17570	17460	17380

- * Max return gas temperature of 18.3°C in non shaded region
- * Max Suction superheat of 11K only in shaded region
- * Sub cooling 0K

Performance Data

Q=Capacity (Watts) P=Power input (Watts) 1 & 3-Phase

50 Hz

Model	Condensing Temperature °C	Evaporating Temperature °C							
		-15	-10	-5	0	5	10	15	
ZB15KQE	Q	30	1900	2400	3000	3700	4500	5400	
		35	1800	2300	2900	3500	4300	5200	
		45	1600	2000	2600	3200	3900	4700	5600
		55		1700	2200	2700	3400	4100	4900
		65			1800	2300	2900	3500	4200
		75				1900	2400	3000	3500
	P	30	800	800	800	800	800	800	
		35	800	800	800	900	900	900	
		45	1000	1000	1000	1100	1100	1100	1100
		55		1300	1300	1300	1300	1300	1300
		65			1600	1600	1600	1600	1600
		75				2000	2000	2000	2000
ZB19KQE	Q	30	2200	2800	3500	4300	5200	6300	
		35	2000	2700	3300	4100	5000	6000	
		45	1800	2300	3000	3700	4500	5400	6400
		55		2000	2500	3100	3900	4700	5700
		65			2100	2700	3300	4100	4900
		75				2200	2700	3400	4000
	P	30	900	900	900	900	900	900	
		35	1000	1000	1000	1000	1000	1000	
		45	1200	1200	1200	1200	1200	1200	1200
		55		1500	1500	1500	1500	1500	1500
		65			1800	1800	1900	1900	1900
		75				2300	2300	2300	2300
ZB21KQE	Q	30	2800	3500	4400	5400	6500	7900	
		35	2700	3300	4200	5100	6200	7500	
		45	2300	2900	3700	4600	5600	6800	8100
		55		2500	3200	4000	4900	6000	7200
		65			2700	3400	4200	5100	6200
		75				2700	3500	4300	5100
	P	30	1100	1100	1100	1100	1100	1100	
		35	1200	1200	1200	1200	1200	1200	
		45	1500	1500	1500	1500	1500	1500	1500
		55		1800	1800	1800	1900	1900	1900
		65			2200	2300	2300	2300	2300
		75				2800	2800	2800	2900
ZB26KQE	Q	30	3200	4100	5100	6200	7600	9100	
		35	3000	3900	4800	5900	7200	8700	
		45	2600	3300	4300	5300	6500	7800	9400
		55		2900	3700	4600	5700	6900	8300
		65			3100	3900	4900	5900	7100
		75				3200	4000	5000	5900
	P	30	1200	1200	1200	1200	1200	1300	
		35	1300	1300	1400	1400	1400	1400	
		45	1700	1700	1700	1700	1700	1700	1700
		55		2100	2100	2100	2100	2100	2100
		65			2600	2600	2600	2600	2600
		75				3200	3200	3200	3300
ZB29KQE	Q	30	3850	4750	5900	7200	8750	10500	
		35	3500	4500	5600	6850	8300	10050	
		45	3050	3900	5000	6100	7450	9000	10100
		55		3300	4200	5250	6550	7950	8950
		65			4000	4450	5550	6800	7650
		75				3600	4550	5600	6250
	P	30	1370	1380	1390	1400	1410	1420	
		35	1540	1550	1560	1570	1580	1590	
		45	1940	1940	1950	1960	1970	1980	1990
		55		2420	2430	2440	2440	2450	2460
		65			3020	3020	3030	3040	3050
		75				3750	3760	3770	3770

* Max return gas temperature of 18.3°C in non shaded region

* Max Suction superheat of 11K only in shaded region

* Sub cooling 0K

Performance Data

50 Hz

Q=Capacity (Watts) P=Power input (Watts) 1 & 3-Phase

Model	Condensing Temperature °C	Evaporating Temperature °C							
		-15	-10	-5	0	5	10	15	
ZB38KQE	Q	30	4700	5900	7400	9100	11100	13300	
		35	4300	5600	7000	8600	10500	12700	
		45	3800	4900	6300	7800	9400	11400	13700
		55		4200	5400	6700	8300	10100	12100
		65			4600	5700	7100	8700	10400
		75				4600	5800	7200	8900
		P	30	1700	1700	1700	1800	1800	1800
	35		1900	1900	1900	2000	2000	2000	
	45		2300	2400	2400	2400	2400	2500	2500
	55			3000	3000	3000	3000	3000	3100
	65				3700	3700	3700	3800	3800
	75					4700	4700	4700	4700
	ZB45KQE		Q	30	5700	7100	8900	10900	13300
		35		5200	6800	8500	10400	12700	15200
45		4500		5800	7500	9300	11400	13700	16300
55				5000	6300	8000	10000	12100	14400
65					5300	6700	8400	10300	12300
75						5400	6800	8500	10100
P		30		2000	2000	2000	2000	2000	2000
		35	2200	2200	2200	2200	2300	2300	
		45	2700	2700	2800	2800	2800	2800	2800
		55		3400	3400	3500	3500	3500	3500
		65			4300	4300	4300	4400	4400
		75				5400	5400	5400	5400
		ZB48KQE	Q	30	6400	8050	9900	12150	14700
35				5900	7650	9450	11550	14000	16900
45	5200			6600	8450	10350	12550	15100	17300
55				5700	7200	8950	11050	13350	15250
65					6050	7600	9450	11450	13100
75						6200	7800	9600	10850
P	30			2280	2290	2300	2310	2330	2370
	35		2540	2560	2570	2590	2610	2650	
	45		3170	3190	3210	3220	3250	3290	3360
	55			4000	4010	4020	4040	4080	4150
	65				5020	5030	5040	5050	5120
	75					6280	6290	6300	6340
	ZB58KQE		Q	30	7450	9200	11200	13400	15850
35				6250	8700	10600	12700	15100	17650
45		5400		6900	9350	11300	13500	15750	18300
55				5900	7450	9300	11650	13750	16000
65					6150	7750	9650	11600	13500
75						6100	7700	9550	10900
P		30		2690	2710	2760	2820	2880	2910
		35	3010	3030	3070	3130	3180	3190	
		45	3720	3750	3800	3850	3890	3880	3820
		55		4590	4660	4720	4760	4750	4670
		65			5640	5730	5790	5790	5710
		75				6880	6970	7000	6940
		ZB66KQE	Q	30	8550	10500	12750	15300	18150
35				7150	9950	12100	14550	17250	20200
45	6200			7900	10700	12900	15450	18050	20900
55				6700	8500	10600	13350	15700	18250
65					7000	8850	11000	13250	15400
75						7000	8800	10950	12450
P	30			3000	3020	3080	3150	3210	3250
	35		3360	3380	3430	3490	3540	3560	
	45		4150	4190	4250	4300	4340	4340	4270
	55			5120	5210	5280	5320	5310	5220
	65				6300	6410	6470	6470	6390
	75					7690	7790	7820	7760

* Max return gas temperature of 18.3°C in non shaded region
 * Max Suction superheat of 11K only in shaded region
 * Sub cooling 0K

Performance Data

Q=Capacity (Watts) P=Power input (Watts) 1 & 3-Phase

50 Hz

Model	Condensing Temperature °C	Evaporating Temperature °C							
		-15	-10	-5	0	5	10	15	
ZB76KQE	Q	30	9800	12050	14650	17600	20850	24350	
		35	8150	11400	13900	16700	19800	23150	
		45	7100	9000	12250	14800	17700	20650	23950
		55		7700	9700	12150	15250	17950	20900
		65			8050	10100	12550	15150	17650
		75				8000	10050	12500	14300
		30	3520	3550	3610	3700	3770	3800	
	P	35	3940	3960	4020	4100	4150	4160	
		45	4870	4900	4970	5040	5080	5070	4970
		55		5990	6080	6160	6200	6190	6080
		65			7350	7460	7540	7540	7440
		75				8950	9070	9110	9040

- * Max return gas temperature of 18.3°C in non shaded region
- * Max Suction superheat of 11K only in shaded region
- * Sub cooling 0K

Performance Data

60 Hz

Q=Capacity (Watts) P=Power input (Watts) 1-Phase

Model	Condensing Temperature °C	Evaporating Temperature °C							
		-12	-10	-5	0	5	10	12.5	
ZB15KQ	Q	15	5800	6250	7450	8850			
		20	5500	5900	7050	8400	9900		
		30	4300	4650	5650	6750	8050	9550	10400
		40	3900	4250	5150	6200	7350	8750	9550
		50	3200	3500	4600	5550	6650	7950	8650
		55		3150	3850	4850	5750	6800	7350
		60			3400	4150	5100	6050	6550
	65				3550	4450	5250	5700	
	P	15	1060	1060	1070	1060			
		20	1190	1190	1190	1190	1180		
		30	1370	1360	1360	1370	1390	1400	1400
		40	1660	1660	1650	1660	1670	1670	1660
		50	2050	2040	2030	2030	2030	2020	2010
		55		2590	2590	2590	2580	2570	2560
60				2890	2890	2880	2870	2860	
65				3220	3210	3190	3180		
ZB19KQ	Q	15	5600	6050	7300	8700			
		20	5350	5800	7050	8400	10000		
		30	4950	5350	6500	7800	9250	11000	11950
		40	4500	4900	5950	7100	8500	10100	11000
		50	3650	4050	5300	6400	7650	9150	9950
		55		3750	4700	6000	7200	8600	9400
		60			4350	5400	6750	8100	8850
	65				5000	6250	7500	8250	
	P	15	1250	1250	1260	1280			
		20	1370	1370	1380	1400	1420		
		30	1660	1650	1650	1670	1680	1690	1700
		40	2020	2010	2000	2010	2020	2020	2020
		50	2480	2470	2460	2460	2460	2450	2440
		55		2750	2730	2730	2720	2710	2700
60				3050	3040	3030	3010	2990	
65				3390	3370	3340	3320		
ZB21KQ	Q	15	7050	7600	9200	11000			
		20	6750	7350	8850	10600	12600		
		30	6200	6750	8200	9800	11700	13850	15100
		40	5650	6150	7500	9000	10700	12750	13900
		50	4600	5100	6700	8100	9650	11500	12550
		55		4750	5950	7600	9100	10850	11900
		60			5500	6800	8500	10200	11150
	65				6300	7900	9450	10400	
	P	15	1590	1590	1600	1630			
		20	1750	1740	1750	1780	1810		
		30	2110	2100	2100	2120	2140	2160	2160
		40	2570	2560	2550	2560	2570	2570	2570
		50	3160	3150	3130	3130	3130	3120	3100
		55		3500	3480	3470	3470	3450	3430
60				3880	3870	3850	3830	3810	
65				4310	4290	4260	4230		

* Max return gas temperature of 18.3°C in non shaded region
 * Max Suction superheat of 11K only in shaded region
 * Sub cooling OK

Performance Data

60 Hz

Q=Capacity (Watts) P=Power input (Watts) 1-Phase

Model	Condensing Temperature °C	Evaporating Temperature °C							
		-12	-10	-5	0	5	10	12.5	
ZB26KQ	Q	15	8100	8800	10600	12700			
		20	7800	8450	10250	12250	14550		
		30	7200	7800	9450	11350	13500	16000	17450
		40	6500	7100	8650	10350	12350	14700	16050
		50	5350	5850	7750	9350	11150	13300	14500
		55		5450	6850	8750	10500	12550	13700
		60			6350	7850	9800	11750	12850
	65				7250	9100	10950	12000	
	P	15	1820	1820	1830	1860			
		20	2000	1990	2000	2030	2060		
		30	2410	2400	2400	2420	2450	2460	2460
		40	2930	2920	2910	2920	2930	2940	2930
		50	3610	3590	3570	3570	3570	3560	3540
		55		4000	3970	3970	3960	3940	3920
60				4430	4410	4400	4370	4350	
65				4920	4900	4860	4830		
ZB29KQ	Q	15	9500	10300	12400	14550			
		20	9150	10000	12050	14250	16650		
		30	8450	9250	11250	13400	15800	18550	20150
		40	7700	8400	10250	12250	14550	17300	18850
		50	6500	7100	9250	11050	13150	15700	17200
		55		6800	8300	10400	12400	14800	16250
		60			7850	9450	11600	13900	15250
	65				8850	10850	12950	14250	
	P	15	2100	2120	2180	2250			
		20	2280	2300	2350	2420	2480		
		30	2710	2720	2770	2820	2860	2900	2910
		40	3220	3240	3290	3330	3370	3400	3410
		50	3860	3880	3940	3990	4030	4060	4060
		55		4260	4320	4380	4420	4450	4460
60				4740	4810	4860	4900	4900	
65				5290	5350	5390	5400		
ZB38KQ	Q	15	12000	12700	15150	18100			
		20	11400	12100	14450	17400	20400		
		30	10400	11000	13200	16100	19100	21900	23000
		40	9450	9950	12000	14750	17750	20550	21750
		50	7700	8150	10550	13150	16100	18950	20150
		55		7450	9150	12250	15100	17950	19150
		60			8250	10750	13950	16750	18000
	65				9550	12650	15400	16650	
	P	15	2500	2540	2660	2780			
		20	2720	2750	2860	2970	3060		
		30	3270	3290	3360	3460	3530	3560	3540
		40	3970	3980	4030	4120	4180	4210	4190
		50	4830	4840	4890	4970	5040	5070	5060
		55		5340	5390	5470	5540	5580	5580
60				5940	6030	6110	6160	6160	
65				6640	6730	6790	6800		

* Max return gas temperature of 18.3°C in non shaded region

* Max Suction superheat of 11K only in shaded region

* Sub cooling 0K

Performance Data

60 Hz

Q=Capacity (Watts) P=Power input (Watts) 3-Phase

Model	Condensing Temperature °C	Evaporating Temperature °C							
		-12	-10	-5	0	5	10	12.5	
ZB15KQ	Q	15	4950	5350	6400	7600			
		20	4750	5150	6200	7400	8750		
		30	4300	4650	5650	6750	8000	9450	10200
		40	3850	4200	5100	6150	7350	8700	9450
		50	3150	3450	4550	5500	6550	7800	8500
		55		3350	4200	5350	6400	7600	8250
		60			3900	4850	6000	7100	7750
	65				4500	5600	6650	7200	
	P	15	930	940	980	1050			
		20	1040	1050	1080	1130	1200		
		30	1310	1310	1320	1350	1380	1410	1420
		40	1630	1620	1640	1660	1690	1710	1710
		50	2020	2020	2040	2060	2090	2100	2090
		55		2160	2190	2220	2240	2260	2270
60				2420	2460	2480	2500	2500	
65				2720	2740	2760	2770		
ZB19KQ	Q	15	5550	6050	7250	8650			
		20	5350	5800	7000	8400	9950		
		30	4900	5350	6500	7750	9250	10950	11850
		40	4450	4850	5900	7100	8500	10050	10950
		50	3650	4000	5300	6350	7650	9100	9900
		55		3700	4650	5950	7150	8550	9350
		60			4300	5350	6700	8000	8750
	65				4900	6150	7400	8100	
	P	15	1200	1200	1200	1210			
		20	1340	1340	1340	1370	1390		
		30	1640	1640	1650	1670	1700	1720	1730
		40	2010	2010	2010	2020	2040	2050	2060
		50	2520	2510	2490	2480	2480	2470	2460
		55		2830	2800	2770	2750	2730	2710
60				3150	3110	3070	3030	3010	
65				3510	3450	3380	3350		
ZB21KQ	Q	15	7150	7750	9300	11100			
		20	6900	7500	9050	10750	12700		
		30	6400	6900	8400	10050	11900	13950	15100
		40	5800	6300	7650	9200	10950	12900	13950
		50	4750	5200	6850	8250	9850	11650	12650
		55		4900	6100	7800	9300	11000	11950
		60			5700	7000	8700	10350	11250
	65				6500	8100	9650	10500	
	P	15	1350	1360	1430	1510			
		20	1500	1520	1570	1640	1740		
		30	1870	1880	1910	1960	2020	2100	2150
		40	2300	2310	2340	2380	2420	2470	2500
		50	2810	2830	2870	2910	2940	2970	2990
		55		3130	3180	3220	3250	3280	3290
60				3510	3560	3600	3620	3630	
65				3940	3980	4000	4010		

* Max return gas temperature of 18.3°C in non shaded region

* Max Suction superheat of 11K only in shaded region

* Sub cooling 0K

Performance Data

Q=Capacity (Watts) P=Power input (Watts) 3-Phase

60 Hz

Model	Condensing Temperature °C	Evaporating Temperature °C							
		-12	-10	-5	0	5	10	12.5	
ZB26KQ	Q	15	8400	9050	10950	13050			
		20	8050	8700	10500	12550	14950		
		30	7400	8000	9700	11600	13800	16300	17700
		40	6700	7300	8850	10600	12650	14950	16200
		50	5500	6000	7950	9550	11400	13500	14650
		55		5600	7050	9000	10750	12700	13850
		60			6500	8100	10050	11900	12950
	65				7450	9300	11050	12050	
	P	15	1500	1490	1510	1580			
		20	1690	1680	1700	1760	1830		
		30	2140	2120	2130	2190	2260	2280	2260
		40	2700	2670	2680	2730	2780	2800	2770
		50	3410	3380	3380	3410	3460	3460	3430
		55		3810	3790	3820	3860	3850	3820
60				4260	4280	4310	4300	4260	
65				4800	4820	4790	4750		
ZB29KQ	Q	15	9850	10650	12800	15150			
		20	9450	10250	12400	14750	17350		
		30	8650	9450	11450	13700	16250	19150	20750
		40	7800	8500	10350	12450	14850	17600	19150
		50	6350	7000	9200	11100	13300	15800	17250
		55		6550	8150	10400	12450	14850	16200
		60			7550	9300	11600	13850	15150
	65				8600	10700	12800	14000	
	P	15	1760	1760	1800	1880			
		20	1980	1980	2010	2080	2160		
		30	2470	2460	2490	2540	2610	2660	2680
		40	3060	3060	3090	3140	3190	3220	3220
		50	3800	3810	3840	3890	3930	3950	3950
		55		4240	4280	4340	4380	4390	4380
60				4780	4840	4880	4890	4880	
65				5390	5440	5450	5440		
ZB38KQ	Q	15	11950	12900	15500	18450			
		20	11550	12500	15050	17950	21200		
		30	10650	11550	14000	16750	19850	23300	25150
		40	9650	10500	12750	15350	18250	21500	23250
		50	7900	8700	11450	13800	16450	19450	21100
		55		8150	10150	13000	15500	18400	19950
		60			9450	11700	14550	17250	18750
	65				10850	13550	16100	17500	
	P	15	2260	2290	2400	2540			
		20	2530	2550	2630	2750	2920		
		30	3140	3150	3210	3290	3400	3530	3610
		40	3860	3880	3940	4000	4070	4150	4190
		50	4730	4760	4830	4890	4940	4990	5020
		55		5260	5340	5410	5460	5510	5530
60				5900	5980	6040	6090	6100	
65				6610	6680	6730	6740		

* Max return gas temperature of 18.3°C in non shaded region

* Max Suction superheat of 11K only in shaded region

* Sub cooling 0K

Performance Data

60 Hz

Q=Capacity (Watts) P=Power input (Watts) 3-Phase

Model	Condensing Temperature °C	Evaporating Temperature °C							
		-12	-10	-5	0	5	10	12.5	
ZB45KQ	Q	15	14450	15550	18650	22200			
		20	13900	15000	18050	21500	25400		
		30	12800	13850	16700	20000	23750	27850	30100
		40	11600	12550	15250	18350	21850	25700	27800
		50	9450	10300	13600	16450	19650	23300	25250
		55		9550	11950	15400	18500	21950	23800
		60			11050	13750	17250	20550	22300
	65				12650	15900	19050	20750	
	P	15	2560	2580	2670	2840			
		20	2880	2890	2970	3100	3290		
		30	3610	3620	3660	3750	3870	4020	4110
		40	4450	4470	4520	4590	4670	4750	4800
		50	5450	5480	5570	5640	5700	5750	5770
		55		6060	6170	6260	6320	6360	6370
60				6830	6940	7010	7050	7060	
65				7690	7780	7820	7830		
ZB48KQ	Q	15	15900	17100	20500	24400			
		20	15300	16500	19850	23650	27950		
		30	14100	15250	18400	22000	26100	30650	33100
		40	12750	13800	16750	20150	24000	28300	30600
		50	10350	11350	14950	18050	21600	25600	27750
		55		10500	13150	16950	20300	24150	26200
		60			12150	15150	18950	22600	24550
	65				13900	17500	20950	22800	
	P	15	2810	2830	2940	3130			
		20	3170	3180	3270	3410	3620		
		30	3970	3980	4030	4130	4260	4420	4520
		40	4900	4920	4970	5050	5130	5230	5280
		50	5990	6030	6120	6210	6280	6330	6350
		55		6660	6790	6880	6960	7000	7010
60				7510	7630	7720	7760	7760	
65				8450	8560	8610	8610		
ZB58KQ	Q	15	18600	20050	24150	28800			
		20	17850	19300	23300	27900	33150		
		30	16300	17700	21550	25950	30950	36600	
		40	14650	15950	19600	23750	28450	33750	36700
		50	11650	12900	17350	21250	25600	30550	33250
		55		11800	15200	19800	24000	28750	31350
		60			13850	17650	22300	26850	29350
	65				16000	20500	24800	27150	
	P	15	3500	3550	3680	3860			
		20	3940	3970	4070	4220	4420		
		30	4900	4920	4970	5050	5170	5350	5460
		40	6040	6040	6070	6100	6170	6270	6340
		50	7420	7430	7440	7450	7470	7530	7570
		55		8230	8250	8250	8270	8300	8330
60				9150	9160	9160	9180	9200	
65				10170	10170	10180	10200		

* Max return gas temperature of 18.3°C in non shaded region

* Max Suction superheat of 11K only in shaded region

* Sub cooling 0K

Performance Data

Q=Capacity (Watts) P=Power input (Watts) 3-Phase

60 Hz

Model	Condensing Temperature °C	Evaporating Temperature °C							
		-12	-10	-5	0	5	10	12.5	
ZB66KQ	Q	15	20450	22150	26850	32300			
		20	19800	21450	26000	31300	37350		
		30	18400	19950	24200	29150	34750	41200	44700
		40	16850	18300	22250	26800	32000	37850	41100
		50	13800	15150	20050	24200	28950	34300	37250
		55		14150	17800	22850	27300	32400	35200
		60			16550	20600	25650	30450	33100
	65				19100	23850	28400	30900	
	P	15	3890	3940	4080	4250			
		20	4360	4400	4530	4680	4870		
		30	5380	5420	5530	5660	5800	5980	6080
		40	6590	6630	6730	6840	6950	7080	7160
		50	8070	8120	8220	8310	8400	8500	8550
		55		8990	9090	9180	9260	9340	9390
60				10070	10150	10220	10290	10330	
65				11240	11300	11370	11400		
ZB76KQ	Q	15	24500	26550	32200	38700			
		20	23750	25700	31150	37350	44400		
		30	22150	23950	28950	34650	41100	48350	52250
		40	20250	21900	26550	31800	37700	44300	47900
		50	16500	18100	23850	28700	34100	40150	43400
		55		16800	21100	27000	32200	37950	41050
		60			19500	24300	30200	35700	38650
	65				22450	28100	33350	36150	
	P	15	4810	4870	5040	5250			
		20	5250	5310	5460	5640	5870		
		30	6360	6410	6530	6670	6850	7090	7240
		40	7820	7860	7950	8060	8200	8390	8500
		50	9680	9710	9790	9860	9960	10100	10190
		55		10800	10870	10930	11010	11130	11210
60				12070	12120	12190	12280	12350	
65				13440	13490	13560	13620		
ZB88KQ	Q	15	33400	36250	43650	51200			
		20	30200	32900	40050	47400	54650		
		30	25400	27800	34350	41350	48450	55300	58500
		40	22150	24200	30050	36550	43400	50250	53500
		50	18000	19700	26350	32300	38800	45500	48800
		55		18350	23100	30100	36400	43000	46300
		60			21150	26750	33850	40300	43550
	65				24200	30950	37300	40550	
	P	15	5380	5450	5680	5970			
		20	5930	6000	6190	6450	6790		
		30	7210	7270	7420	7610	7860	8200	8410
		40	8790	8850	8980	9130	9310	9560	9710
		50	10780	10840	10970	11090	11220	11400	11510
		55		12020	12160	12270	12390	12530	12620
60				13480	13590	13700	13820	13900	
65				15070	15170	15270	15340		

* Max return gas temperature of 18.3°C in non shaded region

* Max Suction superheat of 11K only in shaded region

* Sub cooling 0K

Performance Data

60 Hz

Q=Capacity (Watts) P=Power input (Watts) 3-Phase

Model	Condensing Temperature °C	Evaporating Temperature °C							
		-12	-10	-5	0	5	10	12.5	
ZB95KQ	Q	15	30650	33150	40000	47850			
		20	29550	31950	38650	46250	54850		
		30	26950	29300	35650	42800	50800	59750	64600
		40	23850	26050	32100	38850	46400	54700	59200
		50			28050	34400	41450	49250	53400
		55				32000	38800	46300	50300
		60					36000	43250	47100
	65					33000	40000	43750	
	P	15	5940	6050	6380	6840			
		20	6510	6590	6850	7220	7710		
		30	8020	8070	8230	8450	8760	9170	9430
		40	9980	10030	10160	10300	10490	10740	10900
		50			12590	12720	12860	13020	13110
		55				14130	14270	14400	14480
60						15820	15950	16010	
65					17500	17640	17710		
ZB114KQ	Q	15	36600	39800	49050	60300			
		20	35050	38050	46550	56850	69200		
		30	32150	34850	42350	51100	61500	73800	80700
		40	28800	31450	38400	46200	55200	65600	71450
		50			33850	41300	49400	58500	63500
		55				38500	46400	55050	59750
		60					43200	51550	56000
	65					39650	47850	52150	
	P	15	7290	7390	7740	8230			
		20	7990	8080	8380	8790	9360		
		30	9700	9760	9970	10270	10690	11250	11580
		40	11880	11930	12080	12290	12580	12990	13240
		50			14780	14930	15130	15410	15580
		55				16500	16670	16890	17040
60						18400	18580	18700	
65					20350	20490	20580		

* Max return gas temperature of 18.3°C in non shaded region

* Max Suction superheat of 11K only in shaded region

* Sub cooling 0K

Performance Data

Q=Capacity (Watts) P=Power input (Watts) 1-Phase

60 Hz

Model	Condensing Temperature °C	Evaporating Temperature °C							
		-20	-15	-10	-5	0	5	10	
ZB15KQE	Q	10	4400	5400	6550				
		20	4000	4900	5900	7050	8400		
		30	3550	4350	5250	6300	7450	8800	10250
		40	3100	3750	4550	5450	6450	7600	8900
		50	2550	3150	3800	4550	5400	6400	7500
		60		2450	3800	3600	4300	5100	6050
	P	10	940	950	950				
		20	1170	1180	1190	1190	1190		
		30	1470	1480	1490	1490	1490	1480	1470
		40	1840	1850	1860	1860	1860	1850	1840
		50	2310	2320	2320	2320	2320	2320	2300
		60		2890	2320	2890	2890	2880	2870
ZB19KQE	Q	10	5500	6750	8150				
		20	5000	6100	7350	8850	10500		
		30	4450	5400	6550	7850	9300	10950	12800
		40	3850	4700	5650	6800	8050	9500	11150
		50	3200	3900	4750	5700	6750	8000	9400
		60		3050	3700	4500	5350	6400	7550
	P	10	1170	1180	1190				
		20	1470	1480	1490	1490	1480		
		30	1840	1850	1860	1860	1860	1850	1830
		40	2300	2310	2320	2330	2330	2320	2300
		50	2890	2890	2900	2900	2900	2890	2880
		60		3610	3610	3610	3610	3600	3580
ZB21KQE	Q	10	6600	8050	9750				
		20	5950	7300	8800	10550	12550		
		30	5300	6450	7800	9350	11100	13100	15350
		40	4600	5600	6800	8100	9650	11150	13300
		50	3800	4650	5650	6800	8100	9550	11200
		60		3650	4450	5350	6400	7650	9000
	P	10	1410	1420	1430				
		20	1760	1770	1780	1790	1780		
		30	2200	2220	2230	2230	2230	2220	2200
		40	2760	2780	2790	2790	2790	2850	2760
		50	3460	3470	3480	3480	3480	3470	3450
		60		4330	4330	4330	4330	4320	4300
ZB26KQE	Q	10	7700	9400	11400				
		20	6950	8500	10300	12350	14650		
		30	6200	7550	9150	10950	13000	15300	17900
		40	5350	6550	7900	9500	11250	13300	15550
		50	4450	5450	6600	7950	9450	11150	13100
		60		4250	5200	6250	7500	8900	10500
	P	10	1640	1660	1660				
		20	2050	2070	2080	2080	2080		
		30	2570	2590	2600	2610	2600	2590	2560
		40	3230	3240	3250	3260	3260	3240	3220
		50	4040	4050	4060	4070	4060	4050	4030
		60		5050	5060	5060	5050	5040	5020

* Max return gas temperature of 18.3°C in non shaded region

* Max Suction superheat of 11K only in shaded region

* Sub cooling 0K

Performance Data

60 Hz

Q=Capacity (Watts) P=Power input (Watts) 1-Phase

Model	Condensing Temperature °C	Evaporating Temperature °C							
		-20	-15	-10	-5	0	5	10	
ZB29KQE	Q	10	8600	10550	12800				
		20	7800	9550	11600	13950	16650		
		30	6900	8500	10350	12450	14800	17500	20500
		40	5900	7350	8950	10750	12850	15150	17800
		50	4800	6050	7400	8950	10700	12700	14900
		60		4600	5750	7000	8450	10050	11850
	P	10	2070	2110	2160				
		20	2460	2500	2530	2580	2640		
		30	2970	3000	3030	3060	3110	3160	3240
		40	3610	3630	3660	3680	3720	3760	3820
		50	4390	4420	4440	4470	4490	4520	4560
		60		5370	5400	5430	5450	5470	5500
ZB38KQE	Q	10	10900	13200	15800				
		20	9900	12100	14600	17400	20450		
		30	8700	10750	13050	15650	18500	21650	25050
		40	7350	9150	11250	13550	16150	19000	22150
		50	6000	7500	9250	11200	13450	16000	18750
		60		5800	7150	8750	10550	12600	14950
	P	10	2550	2630	2750				
		20	3040	3090	3160	3270	3430		
		30	3680	3720	3770	3840	3950	4100	4300
		40	4480	4520	4560	4620	4690	4790	4940
		50	5440	5510	5560	5600	5660	5730	5840
		60		6670	6740	6800	6860	6920	7010

- * Max return gas temperature of 18.3°C in non shaded region
- * Max Suction superheat of 11K only in shaded region
- * Sub cooling 0K

Performance Data

Q=Capacity (Watts) P=Power input (Watts) 3-Phase

60 Hz

Model	Condensing Temperature °C	Evaporating Temperature °C							
		-20	-15	-10	-5	0	5	10	
ZB15KQE	Q	10	4400	5400	6550				
		20	3950	4850	5900	7100	8550		
		30	3500	4300	5250	6300	7550	8950	10550
		40	2950	3650	4500	5400	6500	7700	9100
		50	2350	3000	3700	4450	5350	6400	7550
		60		2200	2800	3450	4150	5000	5900
	P	10	950	930	910				
		20	1210	1200	1190	1160	1140		
		30	1530	1530	1510	1500	1470	1440	1410
		40	1950	1940	1920	1910	1880	1850	1820
		50	2480	2470	2450	2420	2390	2360	2320
		60		3140	3110	3070	3040	3000	2950
ZB19KQE	Q	10	5450	6700	8100				
		20	4950	6050	7300	8750	10400		
		30	4400	5350	6500	7750	9250	10850	12700
		40	3800	4650	5650	6750	8000	9450	11050
		50	3150	3900	4700	5650	6700	7950	9300
		60		3000	3700	4450	5350	6350	7450
	P	10	1130	1140	1140				
		20	1410	1420	1430	1430	1430		
		30	1760	1780	1780	1790	1790	1780	1760
		40	2210	2220	2230	2240	2230	2230	2210
		50	2770	2780	2790	2790	2790	2780	2760
		60		3470	3470	3470	3470	3460	3440
ZB21KQE	Q	10	6550	8050	9750				
		20	5950	7250	8750	10500	12500		
		30	5300	6450	7800	9350	11100	13050	15250
		40	4600	5600	6750	8100	9600	11350	13250
		50	3800	4650	5650	6750	8050	9500	11150
		60		3600	4400	5350	6400	7600	8950
	P	10	1350	1360	1370				
		20	1690	1700	1710	1720	1710		
		30	2120	2130	2140	2150	2140	2130	2110
		40	2660	2670	2680	2680	2680	2670	2650
		50	3330	3340	3340	3350	3340	3330	3320
		60		4160	4160	4160	4160	4150	4130
ZB26KQE	Q	10	7650	9350	11350				
		20	6900	8450	10200	12250	14550		
		30	6150	7500	9050	10850	12900	15200	17800
		40	5350	6500	7850	9400	11200	13200	15450
		50	4400	5400	6550	7900	9400	11100	13000
		60		4200	5150	6200	7450	8850	10450
	P	10	1580	1590	1600				
		20	1980	1990	2000	2010	2000		
		30	2470	2490	2500	2510	2500	2490	2460
		40	3100	3120	3130	3130	3130	3120	3100
		50	3890	3900	3910	3910	3910	3900	3870
		60		4860	4870	4870	4860	4850	4820
ZB29KQE	Q	10	8700	10600	12850				
		20	7850	9600	11600	13900	16550		
		30	7000	8500	10300	12350	14650	17250	20200
		40	6050	7400	8950	10700	12700	15000	17550
		50	5000	6150	7450	8950	10650	12600	14750
		60		4750	5850	7050	8450	10050	11850
	P	10	1760	1770	1780				
		20	2200	2220	2230	2230	2230		
		30	2760	2770	2790	2790	2790	2770	2750
		40	3460	3470	3480	3490	3490	3480	3450
		50	4330	4340	4350	4360	4350	4340	4320
		60		5420	5420	5420	5410	5400	5370

* Max return gas temperature of 18.3°C in non shaded region

* Max Suction superheat of 11K only in shaded region

* Sub cooling 0K

Performance Data

60 Hz

Q=Capacity (Watts) P=Power input (Watts) 3-Phase

Model	Condensing Temperature °C	Evaporating Temperature °C							
		-20	-15	-10	-5	0	5	10	
ZB38KQE	Q	10	10950	13400	16200				
		20	9900	12100	14600	17550	20850		
		30	8800	10750	13000	15550	18450	21750	25450
		40	7600	9300	11250	13500	16000	18900	22100
		50	6300	7750	9400	11250	13400	15850	18600
		60		6000	7350	8900	10650	12650	14950
	P	10	2220	2240	2250				
		20	2780	2800	2820	2820	2810		
		30	3480	3500	3520	3530	3520	3500	3470
		40	4360	4380	4400	4410	4400	4390	4360
		50	5470	5480	5500	5500	5500	5480	5450
		60		6840	6840	6840	6840	6820	6790
ZB45KQE	Q	10	13000	15900	19250				
		20	11750	14350	17350	20800	24750		
		30	10450	12750	15400	18450	21900	25850	30250
		40	9050	11050	13350	16000	19000	22400	26250
		50	7500	9200	11150	13400	15950	18850	22100
		60		7150	8750	10550	12650	15050	17750
	P	10	2590	2620	2630				
		20	3240	3270	3290	3290	3290		
		30	4060	4090	4110	4120	4110	4090	4050
		40	5090	5120	5140	5150	5140	5120	5090
		50	6380	6400	6420	6420	6420	6400	6360
		60		7980	7990	7990	7990	7980	7920
ZB48KQE	Q	10	14300	17450	21150				
		20	12900	15750	19100	22900	27200		
		30	11500	14000	16950	20300	24100	28400	33250
		40	9950	12150	14700	17600	20900	24650	28850
		50	8250	10100	12250	14700	17500	20700	24300
		60		7850	9600	11600	13900	16550	19500
	P	10	2850	2880	2890				
		20	3570	3600	3620	3620	3610		
		30	4470	4500	4520	4530	4520	4500	4460
		40	5600	5630	5650	5660	5660	5640	5600
		50	7020	7040	7060	7060	7060	7040	7000
		60		8780	8790	8790	8790	8780	8710
ZB58KQE	Q	10	16500	20100	24400				
		20	15100	18350	22200	26700	31950		
		30	13550	16550	19950	23900	28500	33850	40100
		40	11600	14400	17450	20950	24900	29500	34850
		50	9050	11750	14550	17600	21000	24950	29450
		60		8350	10950	13650	16600	19900	23700
	P	10	3680	3800	3910				
		20	4460	4580	4690	4790	4840		
		30	5480	5570	5680	5770	5840	5850	5810
		40	6780	6850	6930	7020	7080	7110	7080
		50	8460	8480	8530	8590	8640	8670	8650
		60		10530	10540	10570	10600	10610	10580
ZB66KQE	Q	10	18950	23200	28200				
		20	17250	21050	25550	30750	36750		
		30	15400	18800	22750	27300	32500	38500	45300
		40	13400	16350	19800	23700	28150	33250	39050
		50	11150	13700	16600	19850	23550	27800	32600
		60		10700	13100	15700	18650	22000	25850
	P	10	4110	4250	4420				
		20	5020	5150	5310	5480	5650		
		30	6130	6260	6400	6550	6700	6840	6950
		40	7520	7640	7770	7900	8020	8120	8200
		50	9240	9350	9460	9570	9660	9740	9780
		60		11440	11540	11620	11690	11740	11740

* Max return gas temperature of 18.3°C in non shaded region

* Max Suction superheat of 11K only in shaded region

* Sub cooling 0K

Performance Data

Q=Capacity (Watts) P=Power input (Watts) 3-Phase

60 Hz

Model	Condensing Temperature °C	Evaporating Temperature °C							
		-20	-15	-10	-5	0	5	10	
ZB76KQE	Q	10	22250	27100	32800				
		20	20200	24650	29850	35850	42800		
		30	18050	22050	26650	32000	38150	45150	53100
		40	15850	19300	23300	27900	33200	39250	46200
		50	13600	16450	19750	23550	27950	33000	38850
		60		13500	16000	19000	22450	26450	31150
	P	10	4800	4960	5150				
		20	5860	6000	6140	6290	6450		
		30	7170	7320	7460	7580	7690	7800	7920
		40	8710	8910	9080	9210	9320	9400	9460
		50	10450	10750	10990	11180	11310	11400	11450
		60		12820	13170	13450	13650	13790	13870
ZB95KQE	Q	10	27350	33350	40450				
		20	25000	30450	36850	44250	52800		
		30	22300	27300	33000	39550	47050	55700	65550
		40	19150	23700	28750	34450	40950	48350	56850
		50		19500	23950	28850	34350	40550	47650
		60			18400	22500	27050	32100	37850
	P	10	6180	6440	6750				
		20	7500	7720	7980	8260	8580		
		30	9240	9400	9600	9830	10080	10350	10620
		40	11500	11610	11750	11910	12100	12290	12480
		50		14430	14510	14610	14720	14840	14950
		60			18010	18040	18080	18110	18150
ZB114KQE	Q	10	32800	40150	48750				
		20	29800	36450	44200	53100	63300		
		30	26500	32550	39450	47350	56350	66550	78050
		40	22750	28150	34250	41200	49000	57900	67900
		50		23200	28500	34450	41150	48700	57200
		60			21950	27000	32550	38800	45800
	P	10	7490	7740	8000				
		20	9070	9330	9600	9860	10100		
		30	11050	11300	11560	11810	12040	12250	12410
		40	13570	13790	14010	14240	14440	14620	14760
		50		16940	17120	17290	17450	17580	17670
		60			21010	21110	21210	21270	21300

* Max return gas temperature of 18.3°C in non shaded region

* Max Suction superheat of 11K only in shaded region

* Sub cooling 0K

Performance Data

60 Hz

Q=Capacity (Watts) P=Power input (Watts) 1 & 3-Phase

Model	Condensing Temperature °C	Evaporating Temperature °C							
		-15	-10	-5	0	5	10	15	
ZB15KQE	Q	30	2300	2900	3600	4450	5400	6500	
		35	2200	2800	3500	4200	5200	6250	
		45	1950	2400	3150	3850	4700	5650	6750
		55		2050	2650	3250	4100	4950	5900
		65			2200	2800	3500	4200	5050
		75				2300	2900	3600	4200
		ZB15KQE	P	30	960	960	960	960	960
35	960			960	960	1080	1080	1080	
45	1200			1200	1200	1320	1320	1320	1320
55				1560	1560	1560	1560	1560	1560
65					1920	1920	1920	1920	1920
75						2400	2400	2400	2400
ZB19KQE	Q			30	2650	3400	4200	5200	6250
		35	2400	3250	4000	4950	6000	7200	
		45	2200	2800	3600	4450	5400	6500	7700
		55		2400	3000	3750	4700	5650	6850
		65			2550	3250	4000	4950	5900
		75				2650	3250	4100	4800
		ZB19KQE	P	30	1080	1080	1080	1080	1080
35	1200			1200	1200	1200	1200	1200	
45	1440			1440	1440	1440	1440	1440	1440
55				1800	1800	1800	1800	1800	1800
65					2160	2160	2280	2280	2280
75						2760	2760	2760	2760
ZB21KQE	Q			30	3400	4200	5300	6500	7800
		35	3250	4000	5050	6150	7450	9000	
		45	2800	3500	4450	5550	6750	8200	9750
		55		3000	3850	4800	5900	7200	8650
		65			3250	4100	5050	6150	7450
		75				3250	4200	5200	6150
		ZB21KQE	P	30	1320	1320	1320	1320	1320
35	1440			1440	1440	1440	1440	1440	
45	1800			1800	1800	1800	1800	1800	1800
55				2160	2160	2160	2280	2280	2280
65					2640	2760	2760	2760	2760
75						3360	3360	3360	3480
ZB26KQE	Q			30	3850	4950	6150	7450	9150
		35	3600	4700	5800	7100	8650	10450	
		45	3150	4000	5200	6400	7800	9400	11300
		55		3500	4450	5550	6850	8300	10000
		65			3750	4700	5900	7100	8550
		75				3850	4800	6000	7100
		ZB26KQE	P	30	1440	1440	1440	1440	1440
35	1560			1560	1680	1680	1680	1680	
45	2040			2040	2040	2040	2040	2040	2040
55				2520	2520	2520	2520	2520	2520
65					3120	3120	3120	3120	3120
75						3840	3840	3840	3960
ZB29KQE	Q			30	4600	5700	7050	8650	10450
		35	4150	5400	6700	8200	10000	12050	
		45	3650	4650	5950	7350	8950	10800	12100
		55		3950	5050	6300	7850	9500	10700
		65			4750	5350	6650	8150	9150
		75				4300	5450	6750	7500
		ZB29KQE	P	30	1640	1660	1670	1680	1690
35	1850			1860	1870	1880	1900	1910	
45	2330			2330	2340	2350	2360	2380	2390
55				2900	2920	2930	2930	2940	2950
65					3620	3620	3640	3650	3660
75						4500	4510	4520	4520

* Max return gas temperature of 18.3°C in non shaded region

* Max Suction superheat of 11K only in shaded region

* Sub cooling 0K

Performance Data

Q=Capacity (Watts) P=Power input (Watts) 1 & 3-Phase

60 Hz

Model	Condensing Temperature °C	Evaporating Temperature °C							
		-15	-10	-5	0	5	10	15	
ZB38KQE	Q	30	5650	7100	8900	10950	13350	16000	
		35	5200	6750	8400	10350	12600	15250	
		45	4600	5900	7600	9400	11300	13700	16450
		55		5050	6500	8050	10000	12150	14550
		65			5550	6850	8550	10450	12500
		75				5550	7000	8650	10700
	P	30	2040	2040	2040	2160	2160	2160	
		35	2280	2280	2280	2400	2400	2400	
		45	2760	2880	2880	2880	2880	3000	3000
		55		3600	3600	3600	3600	3600	3720
		65			4440	4440	4440	4560	4560
		75				5640	5640	5640	5640
ZB45KQE	Q	30	6850	8550	10700	13100	16000	19100	
		35	6250	8200	10200	12500	15250	18250	
		45	5400	7000	9000	11200	13700	16450	19600
		55		6000	7600	9600	12000	14550	17300
		65			6400	8050	10100	12400	14800
		75				6500	8200	10200	12150
	P	30	2400	2400	2400	2400	2400	2400	
		35	2640	2640	2640	2640	2760	2760	
		45	3240	3240	3360	3360	3360	3360	3360
		55		4080	4080	4200	4200	4200	4200
		65			5160	5160	5160	5280	5280
		75				6480	6480	6480	6480
ZB48KQE	Q	30	7700	9650	11900	14550	17600	21150	
		35	7100	9150	11300	13850	16800	20250	
		45	6250	7950	10150	12450	15100	18150	20750
		55		6850	8650	10750	13300	16000	18300
		65			7250	9150	11300	13750	15750
		75				7450	9350	11500	13050
	P	30	2740	2750	2760	2770	2800	2840	
		35	3050	3070	3080	3110	3130	3180	
		45	3800	3830	3850	3860	3900	3950	4030
		55		4800	4810	4820	4850	4900	4980
		65			6020	6040	6050	6060	6140
		75				7540	7550	7560	7610
ZB58KQE	Q	30	8950	11050	13400	16100	19050	22300	
		35	7500	10450	12700	15250	18100	21200	
		45	6500	8250	11250	13550	16200	18900	21950
		55		7050	8900	11150	14000	16450	19150
		65			7350	9250	11550	13900	16200
		75				7300	9200	11500	13100
	P	30	3230	3250	3310	3390	3460	3500	
		35	3610	3630	3690	3760	3810	3830	
		45	4470	4500	4560	4630	4670	4660	4580
		55		5500	5590	5670	5710	5700	5610
		65			6760	6870	6940	6950	6860
		75				8250	8360	8390	8330
ZB66KQE	Q	30	10250	12600	15300	18400	21750	25450	
		35	8550	11900	14500	17450	20700	24250	
		45	7450	9450	12850	15500	18550	21650	25050
		55		8050	10150	12750	16000	18850	21900
		65			8400	10600	13200	15850	18500
		75				8400	10550	13100	14950
	P	30	3600	3630	3690	3780	3850	3900	
		35	4030	4050	4120	4190	4250	4270	
		45	4980	5030	5100	5170	5210	5200	5120
		55		6150	6250	6340	6380	6370	6270
		65			7560	7690	7770	7770	7670
		75				9220	9350	9390	9310

* Max return gas temperature of 18.3°C in non shaded region
 * Max Suction superheat of 11K only in shaded region
 * Sub cooling OK

Performance Data

Q=Capacity (Watts) P=Power input (Watts) 1 & 3-Phase

60 Hz

Model	Condensing Temperature °C	Evaporating Temperature °C							
		-15	-10	-5	0	5	10	15	
ZB76KQE	Q	30	11750	14450	17600	21100	25000	29200	
		35	9800	13650	16650	20000	23750	27800	
		45	8500	10800	14700	17750	21250	24800	28700
		55		9200	11650	14550	18300	21550	25050
		65			9650	12100	15100	18150	21200
		75				9600	12050	15000	17150
		P	30	4220	4250	4340	4440	4520	4560
	35		4730	4750	4830	4920	4980	5000	
	45		5840	5890	5960	6040	6090	6080	5970
	55			7190	7290	7390	7450	7430	7300
	65				8820	8960	9040	9040	8930
	75					10740	10880	10930	10840

- * Max return gas temperature of 18.3°C in non shaded region
- * Max Suction superheat of 11K only in shaded region
- * Sub cooling 0K

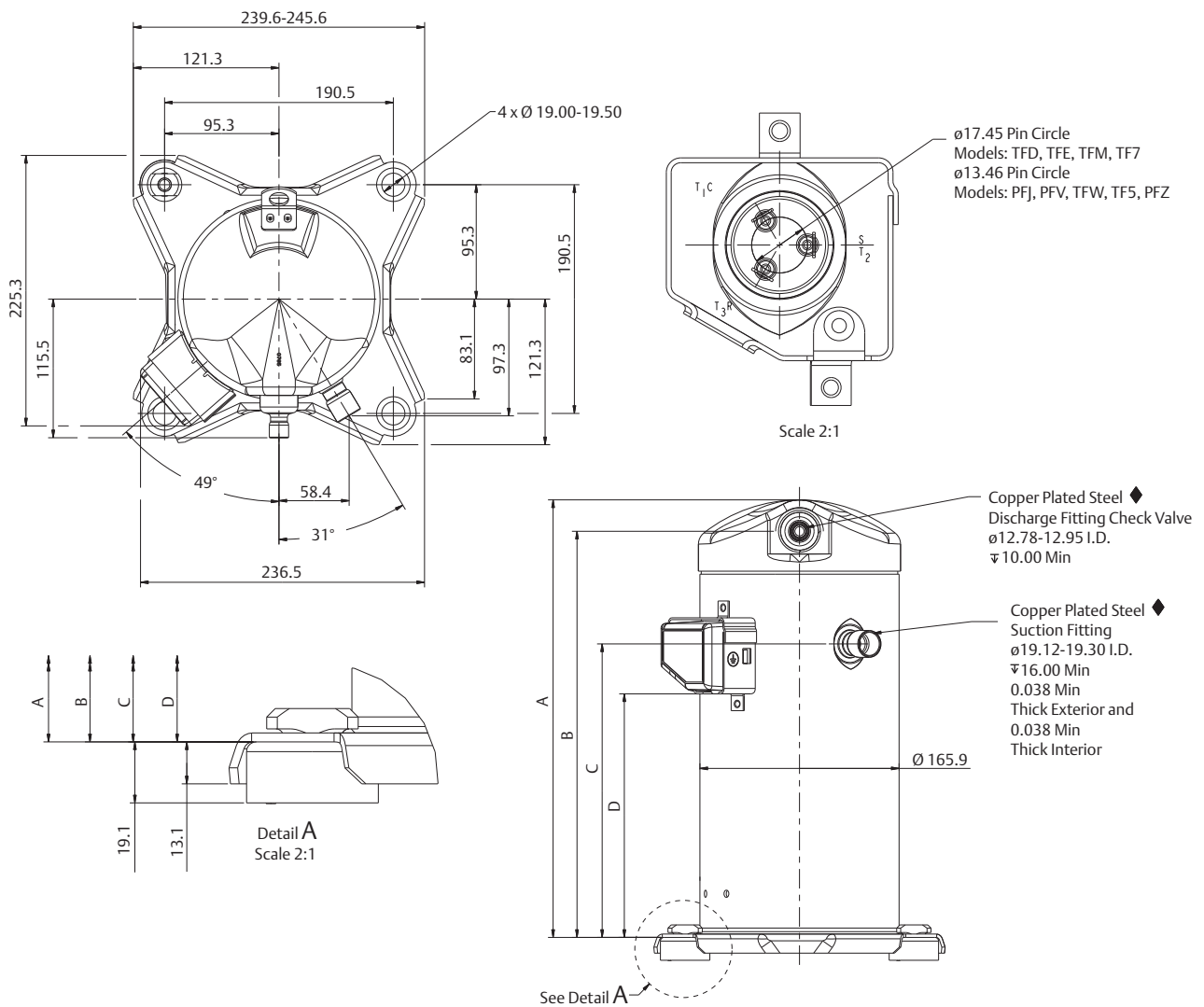
Technical Data

Model		ZB15KQ ZB15KQE	ZB19KQ ZB19KQE	ZB21KQ ZB21KQE	ZB26KQ ZB26KQE	ZB29KQ ZB29KQE	ZB38KQ ZB38KQE	ZB45KQ ZB45KQE		
Motor type	50Hz	PFJ	PFJ	PFJ	PFJ	PFJ				
		TF5	TF5	TF5	TF5	TF5	TF5	TF5		
		TFD	TFD	TFD	TFD	TFD	TFD	TFD		
	60Hz	PFV	PFV	PFV	PFV	PFV				
		TF5	TF5	TF5	TF5	TF5	TF5	TF5		
		TF7	TF7	TF7	TF7	TF7	TF7	TF7		
TFD		TFD	TFD	TFD	TFD	TFD	TFD			
Displacement (M ³ /HR)		50Hz	5.9	6.8	8.6	9.9	11.4	14.4	17.1	
		60Hz	7.1	8.2	10.4	12.0	13.8	17.3	20.6	
LRA	50Hz	PFJ	58.0	61.0	82.0	97.0	114.0			
		TF5/TW5	56.0	70.0	83.0	95.0	98.0	139.0	172.0	
		TFD	26.0	32.0	40.0	46.0	50.0	65.5	74.0	
	60Hz	PFV	61.0	72.5	95.0	109.0	137.0			
		TF5/TW5	55.0	63.0	77.0	88.0	91.0	128.0	156.0	
		TF7/TW7	27.0	30.0	39.0	41.0	54.0	64.0	70.0	
		TFD	27.0	31.0	39.0	44.0	50.0	63.0	75.0	
RLA	KQ	PFJ	11.4	12.9	16.4	17.1	19.3			
		PFV	13.6	15.0	18.4	20.4	22.1			
		TF5/TW5	8.9	10.0	11.4	13.9	16.4	20.7	20.7	
		TF7/TW7	5.0	5.8	7.5	7.3	9.3	10.7	10.7	
		TFD	4.3	4.3	5.7	7.1	7.9	10.0	11.5	
	KQE	PFJ	13.2	14.6	15.4	18.9	20.0			
		PFV	15.7	17.1	20.7	23.6	25.0			
		TF5/TW5	8.9	10.0	12.1	13.2	17.1	24.0	26.0	
		TF7/TW7	5.1	5.9	7.4	7.6	9.6	12.4	12.6	
		TFD	5.0	5.0	7.4	6.4	7.9	9.6	10.1	
Max Continuous Current	KQ	PFJ	16.0	18.0	23.0	24.0	27.0			
		PFV	19.0	21.0	25.8	28.6	31.0			
		TF5/TW5	12.5	14.0	16.0	19.4	23.0	29.0	29.0	
		TF7/TW7	7.0	8.1	10.5	10.2	13.0	15.0	15.0	
		TFD	6.0	6.0	8.0	10.0	11.0	13.5	16.1	
	KQE	PFJ	18.5	20.5	21.5	26.5	28.0			
		PFV	22.0	24.0	29.0	33.0	35.0			
		TF5/TW5	12.5	14.0	17.0	18.5	24.0	33.6	32.4	
		TF7/TW7	7.2	8.3	10.3	10.7	13.5	17.4	17.7	
		TFD	7.0	7.0	10.3	9.0	11.0	14.0	14.2	
Run Capacitor (1 phase)	50Hz	PFJ	40/440	45/370	60/370	60/370	60/370			
Run Capacitor (1 phase)	60Hz	PFV	40/370	45/370	50/370	60/370	60/440			
Nominal power(HP)			2	2.5	3	3.5	4	5	6	
Crankcase Heater(W)			70	70	70	70	70	70	70	
Connection Tube size(inch)										
Discharge Tube outer Diameter			1/2	1/2	1/2	1/2	1/2	1/2	1/2	
Suction Tube outer Diameter			3/4	3/4	3/4	3/4	7/8	7/8	7/8	
Dimension(mm)										
Length			242	242	243	243	242	242	242	
Width			242	242	244	244	242	242	242	
Height			383	389	412	425	430	457	457	
Mounting pants installation size (hole size)			190x190(8.5)	190x190(8.5)	190x190(8.5)	190x190(8.5)	190x190(8.5)	190x190(8.5)	190x190(8.5)	
Oil Recharge(L)										
			PFJ/PFV	1.24	1.30	1.45	1.45/1.48	1.36		
			TFD/TF5/TF7	1.24	1.36	1.45	1.48	1.36	2.07	1.89
Weight(kg)										
Net			23	25	27	28	33	38	40	
Gross			26	29	30	31	37	41	44	

Technical Data

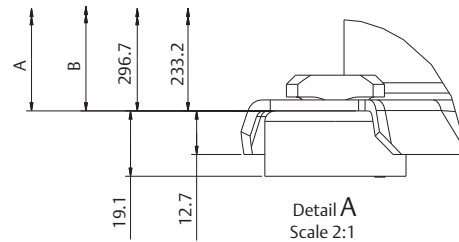
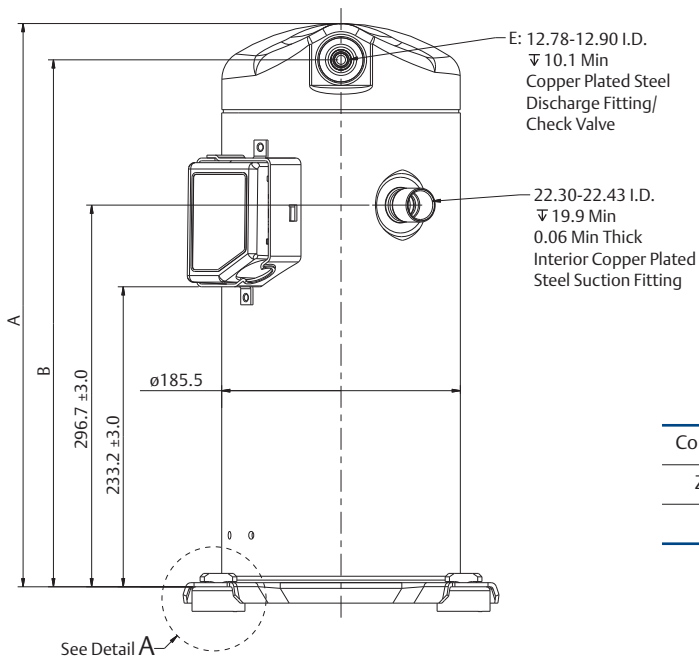
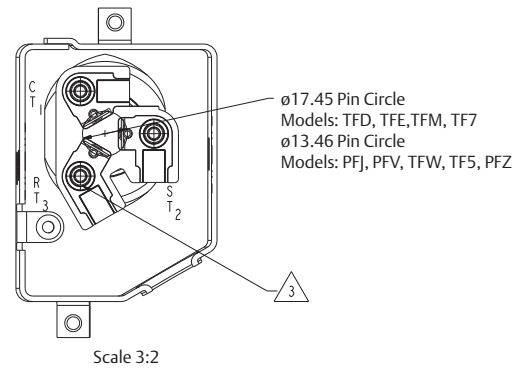
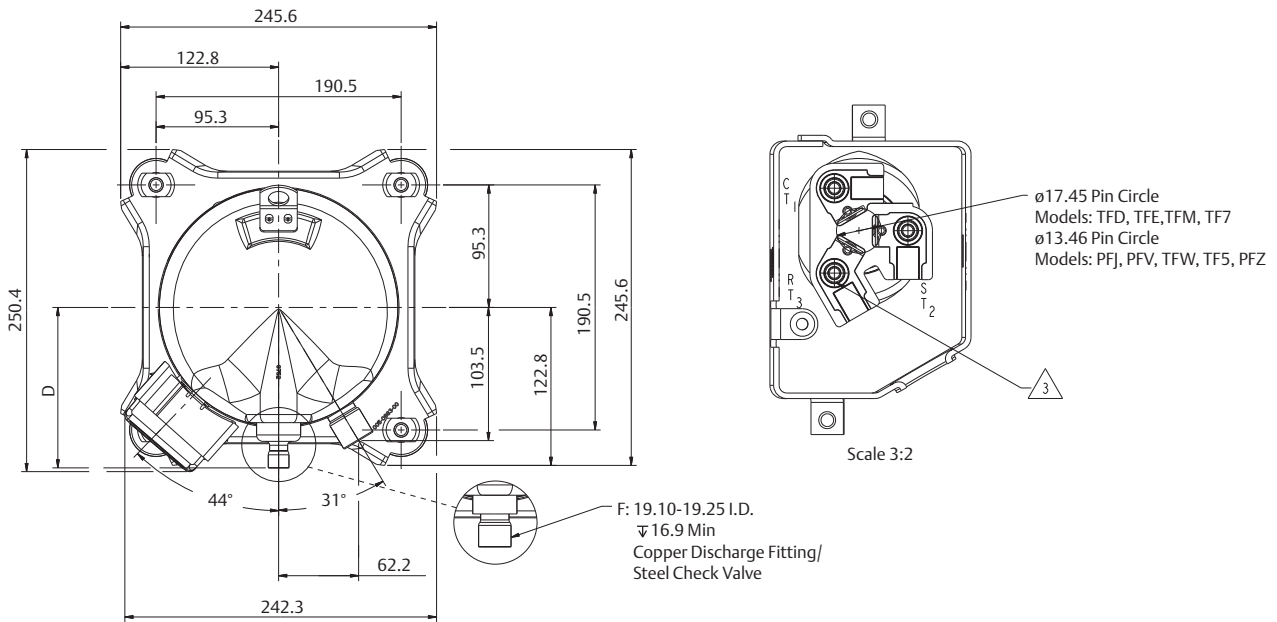
Model			ZB48KQ ZB48KQE	ZB58KQ ZB58KQE	ZB66KQ ZB66KQE	ZB76KQ ZB76KQE	ZB88KQ	ZB95KQ	ZB114KQ
Motor type	50Hz	TF5	TF5	TF5	TF5	TF5	TF5		
		TFD	TFD	TFD	TFD	TFD	TFD	TFD	TFD
								TW5	TW5
	60Hz	TF5	TF5	TF5	TF5	TF5	TF5		
		TF7	TF7	TF7	TF7	TF7	TF7		
		TFD	TFD	TFD	TFD	TFD	TFD	TFD	TFD
							TW5	TW5	
							TW7	TW7	
Displacement (M ³ /HR)		50Hz	18.8	22.1	25.7	28.8	33.2	36.4	43.3
		60Hz	22.6	26.7	31.0	34.8	40.1	43.9	52.3
LRA	50Hz	PFJ							
		TF5/TW5	179.0	203.0	231.0	239.0	273.0		
		TFD	101.0	95.0	111.0	118.0	118.0	140.0	174.0
	60Hz	PFV							
		TF5/TW5	164.0	195.0	225.0	239.0	245.0	300.0	340.0
		TF7/TW7	100.0	123.0	140.0	145.0	145.0	139.0	196.0
		TFD	100.0	95.0	114.0	125.0	125.0	150.0	179.0
RLA	KQ	PFJ							
		PFV							
		TF5/TW5	25.0	32.1	33.6	41.4	47.1	53.6	58.6
	KQE	TF7/TW7	12.1	16.7	18.6	23.6	24.4	28.6	35.7
		TFD	12.1	16.4	17.3	20.0	22.1	25.0	27.9
		PFJ							
		PFV							
		TF5/TW5	26.0	32.1	33.6	41.4		61.4	65.0
		TF7/TW7		17.1	18.6	23.6		35.0	42.9
		TFD	13.6	16.4	17.3	20.0		26.4	28.6
Max Continuous Current	KQ	PFJ							
		PFV							
		TF5/TW5	35.0	45.0	47.0	54.0	66.0	75.0	82.0
	KQE	TF7/TW7	17.0	23.4	26.0	33.1	34.2	40.0	50.0
		TFD	17.0	23.0	24.2	26.9	31.0	35.0	42.0
		PFJ							
		PFV							
		TF5/TW5	36.4	43.0	44.0	58.0		86.0	91.0
		TF7/TW7		24.0	29.0	33.0		49.0	60.0
		TFD	19.1	23.0	24.5	28.0		37.0	40.0
Run Capacitor (1 phase)	50Hz	PFJ							
Run Capacitor (1 phase)	60Hz	PFV							
Nominal power(HP)			7	8	9	10	12	13	15
Crankcase Heater(W)			70	90	90	90	90	90	90
Connection Tube size(inch)									
Discharge Tube outer Diameter			3/4	7/8	7/8	7/8	7/8	7/8	7/8
Suction Tube outer Diameter			7/8	1 1/8	1 3/8	1 3/8	1 3/8	1 3/8	1 3/8
Dimension(mm)									
Length			242	264	264	264	264	264	264
Width			242	284	284	284	284	285	285
Height			457	477	546	546	546	552	553
Mounting pants installation size (hole size)			190x190(8.5)	190x190(8.5)	190x190(8.5)	190x190(8.5)	190x190(8.5)	190x190(8.5)	190x190(8.5)
Oil Recharge(L)									
TFD/TF5/TF7			1.80	2.51	3.25	3.25	3.25	3.30	3.30
Weight(kg)									
Net			40	57	59	62	62	62	63
Gross			44	60	62	65	65	65	66

ZB15~ZB29 (BOM 524)



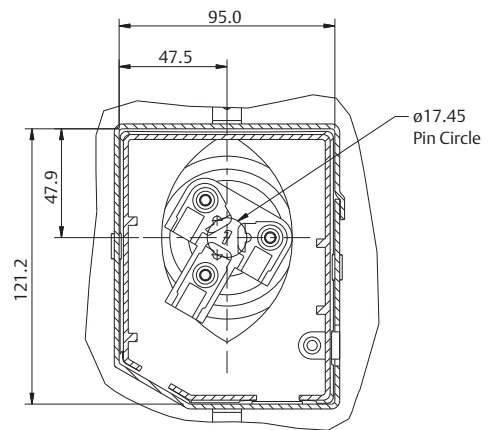
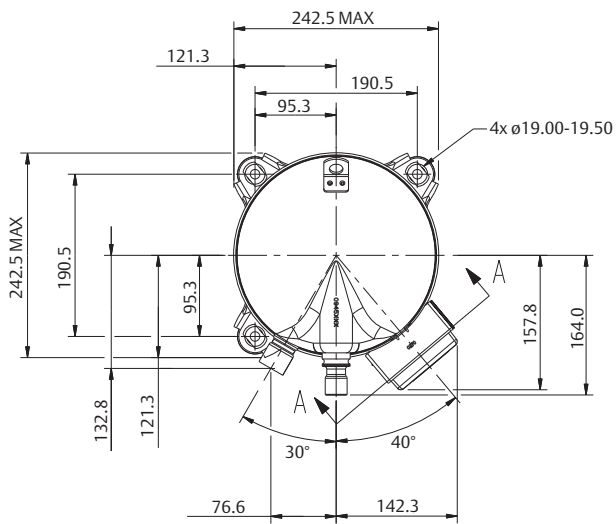
Compressor model	A \pm 3	B \pm 3	C \pm 3	D \pm 3
ZB15KQ/ZB15KQE	363.8	338.3	244.5	202.9
ZB19KQ/ZB19KQE				
ZB21KQ/ZB21KQE	386.4	360.9	264.4	222.8
ZB26KQ/ZB26KQE	400.2	374.6	277.1	235.5
ZB29KQ/ZB29KQE	417.8	389.9	294.1	252.5

ZB38~ZB48 (BOM 524)

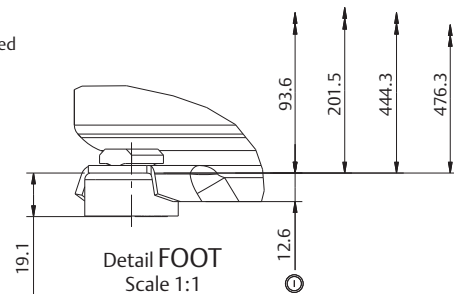
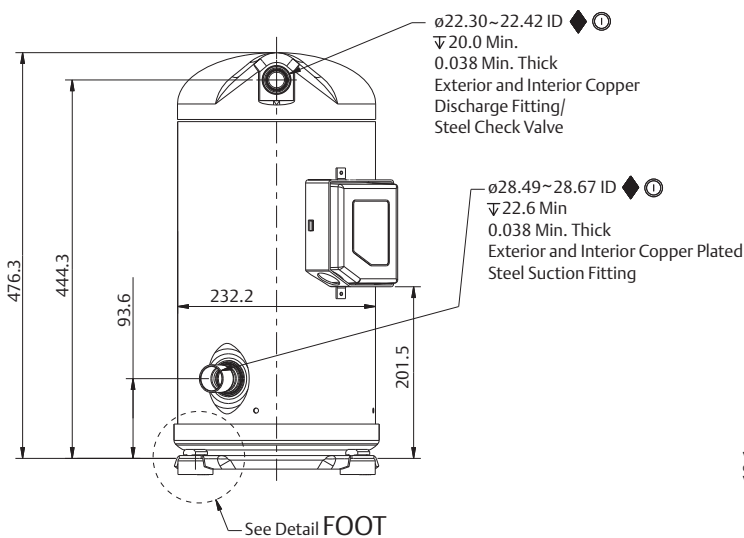


Compressor model	A \pm 3	B \pm 3	D
ZB38/45KQ(E)	437.7	409.6	124.7
ZB48KQ(E)	443.4	413.7	128.7

ZB58 (BOM 524)

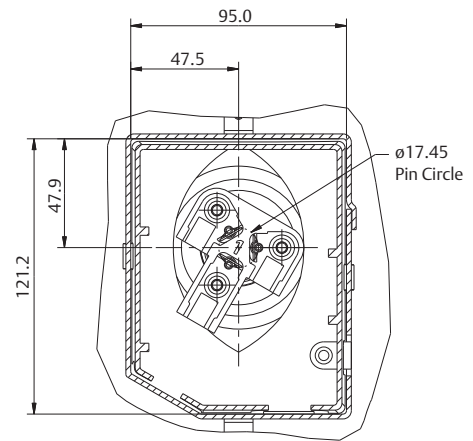
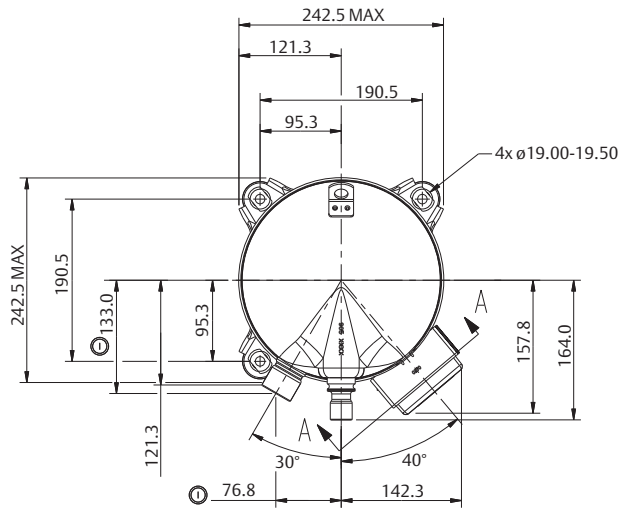


T-Box layout
Standard
Section A-A
Scale 1:1



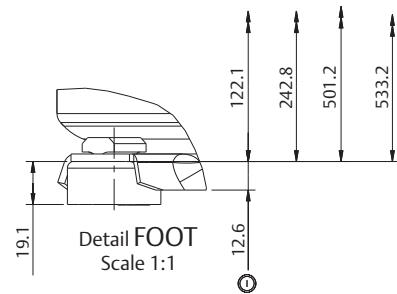
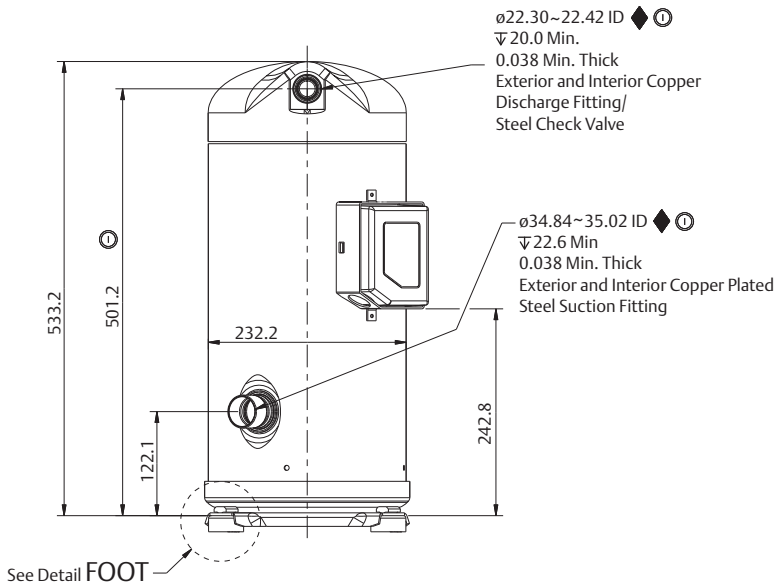
Detail FOOT
Scale 1:1

ZB66~ZB88 (BOM 524)



T-Box layout
Standard

Section A-A
Scale 1:1



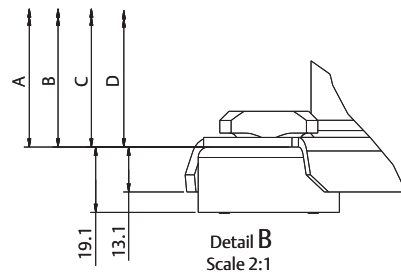
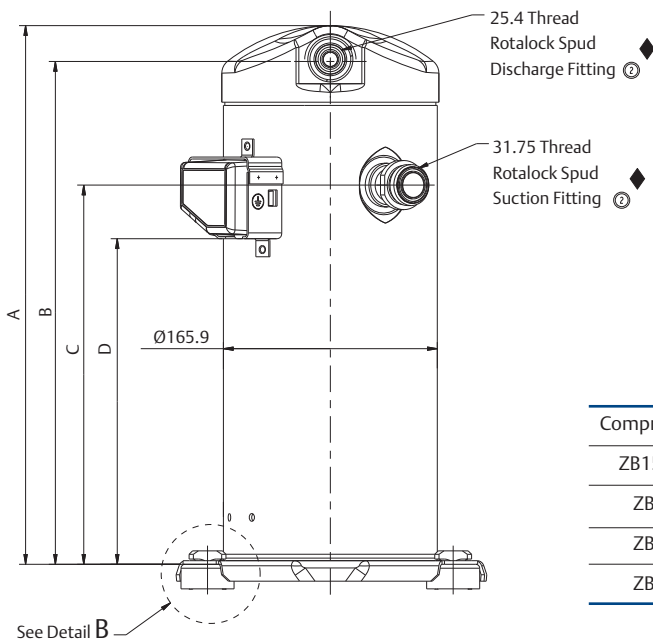
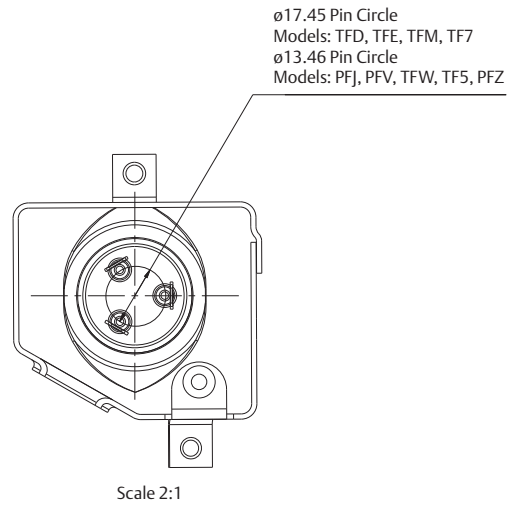
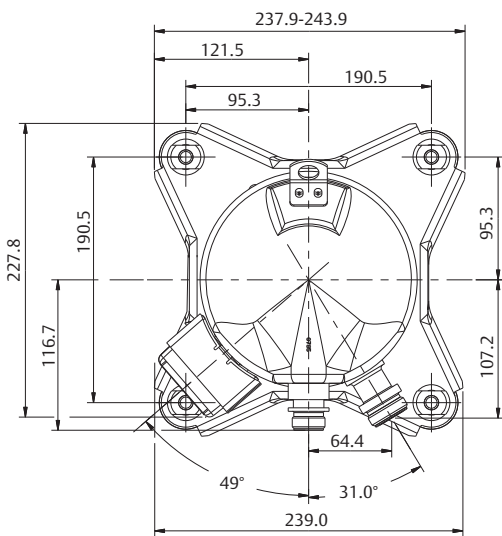
Detail FOOT
Scale 1:1

ZB Series

Dimensions

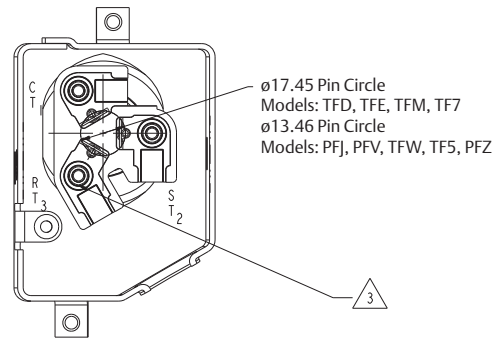
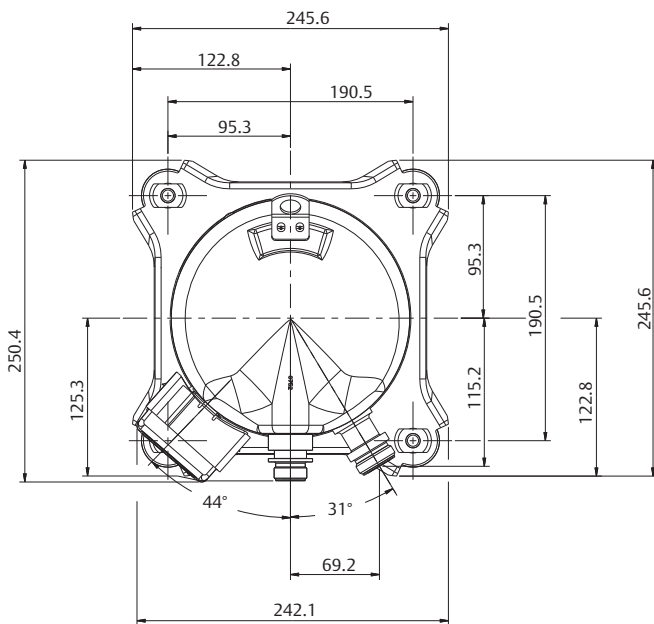
Rotalock Connection

ZB15~ZB29 (BOM 523)



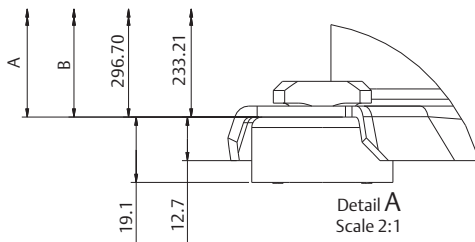
Compressor model	A±3	B	C	D±3	
ZB15/19KQ(E)	363.8	338.3	244.5	202.9	①
ZB21KQ(E)	386.4	360.9	264.4	222.8	①
ZB26KQ(E)	400.8	372.9	277.1	235.5	① ②
ZB29KQ(E)	417.8	389.9	294.1	252.5	①

ZB38~ZB48 (BOM 523)

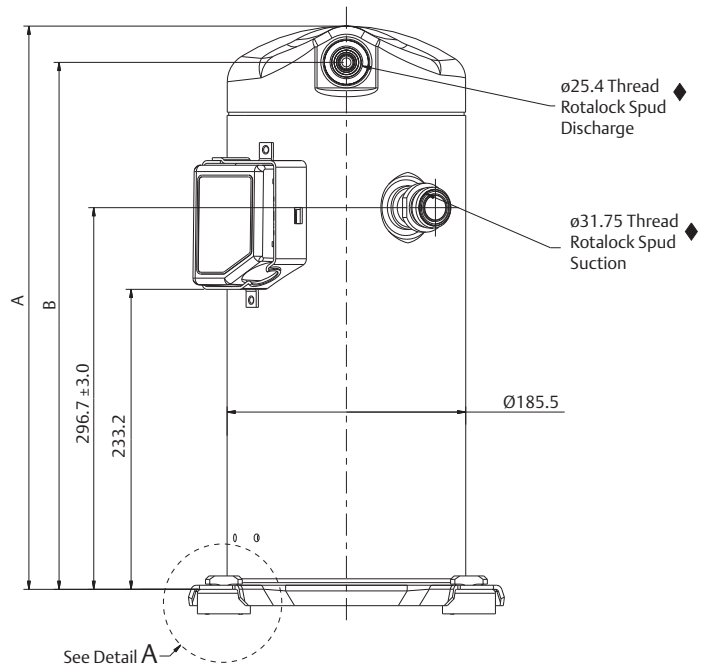


Terminal Box Layout Options
Terminal Box Cover Not Shown

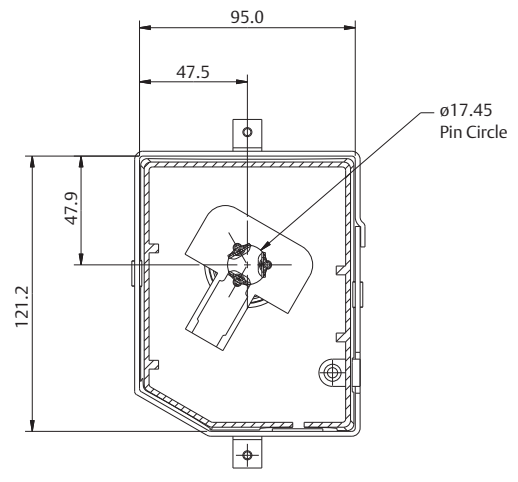
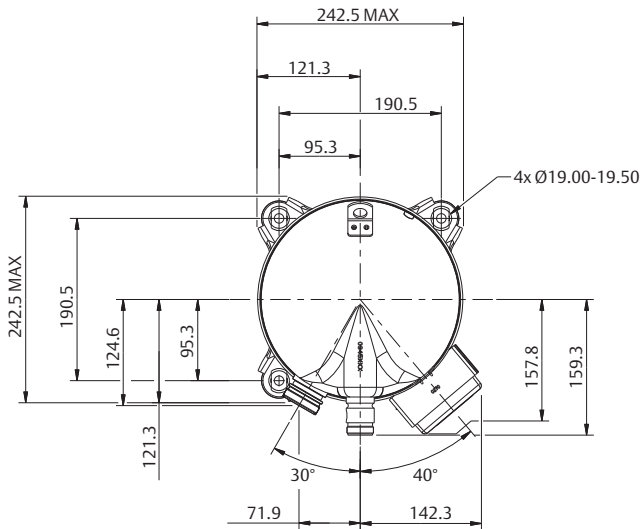
View A-A
Scale 3:2



Compressor model	A±3	B±3
ZB38/45KQ(E)	437.7	409.6
ZB48KQ(E)	443.4	413.7

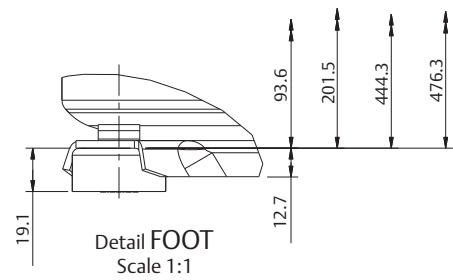
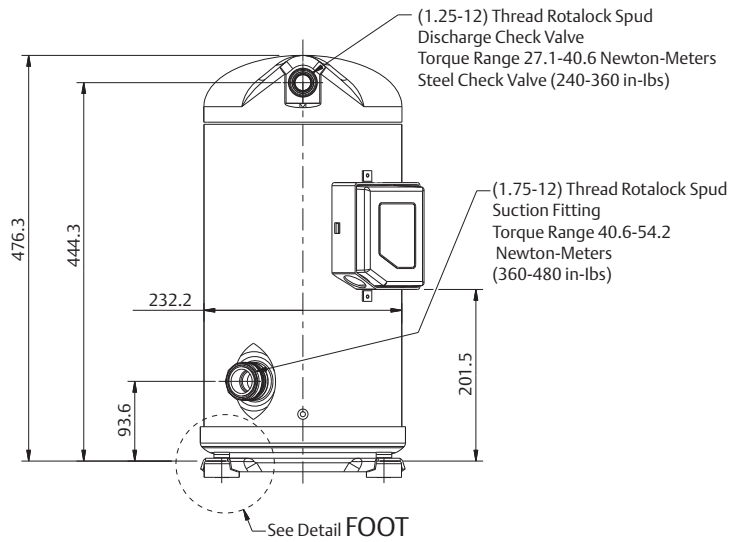


ZB58 (BOM 523)



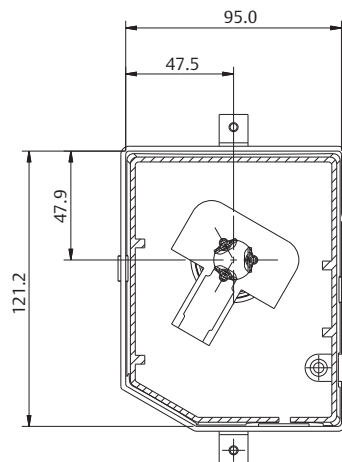
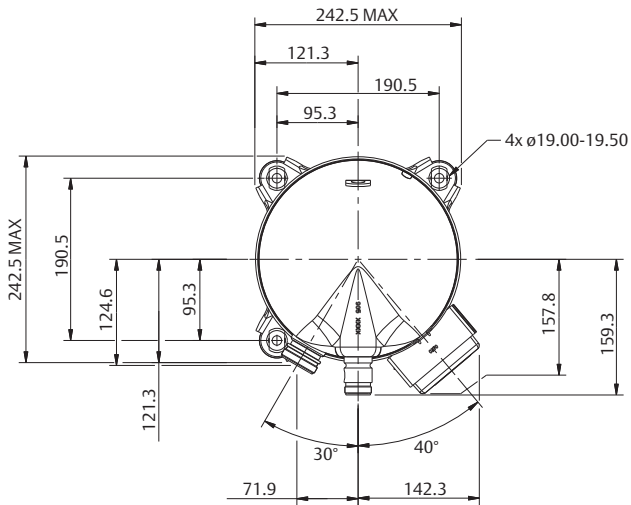
T-Box layout
Standard

Section A-A
Scale 1:1

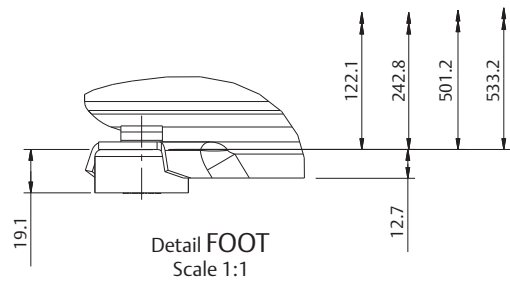
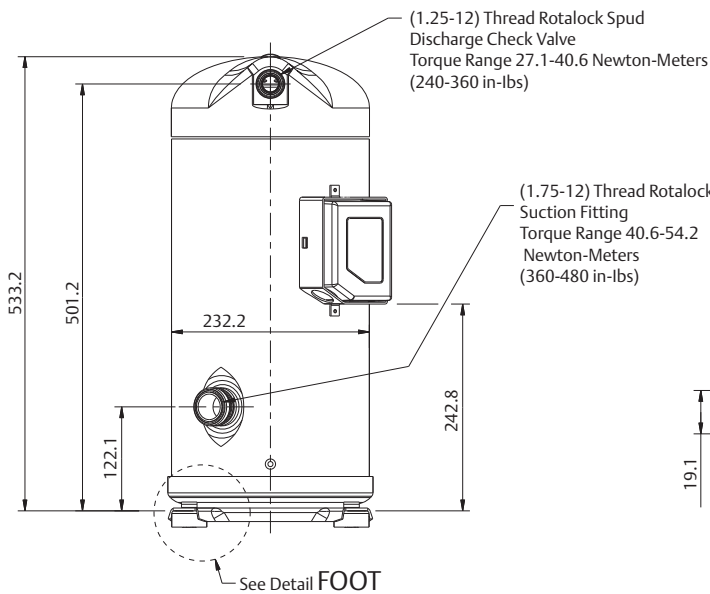


Detail FOOT
Scale 1:1

ZB66~ZB88 (BOM 523)

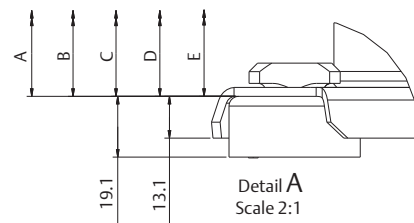
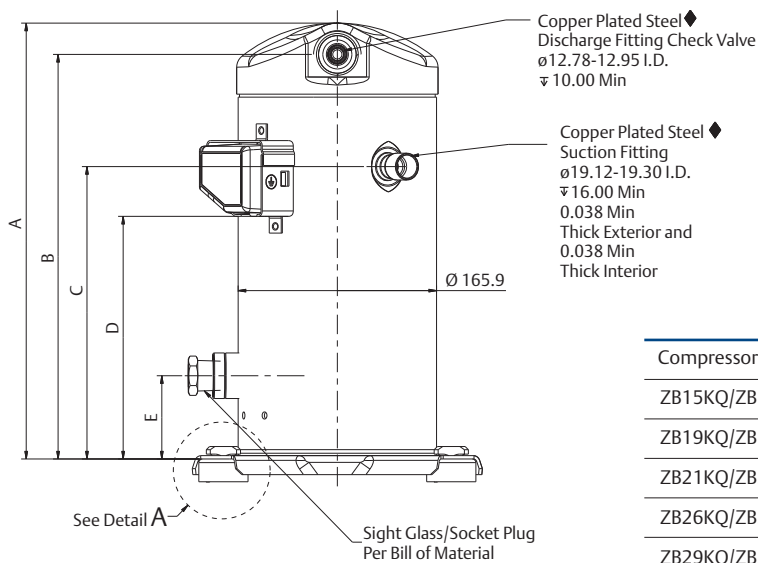
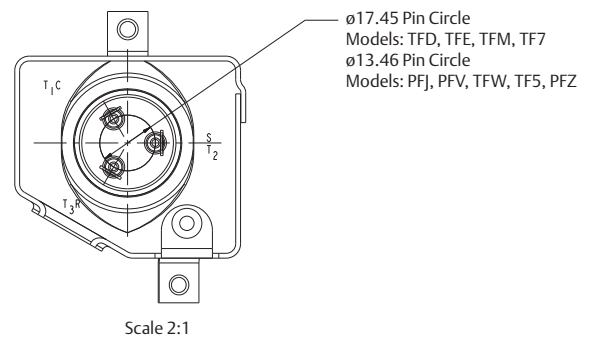
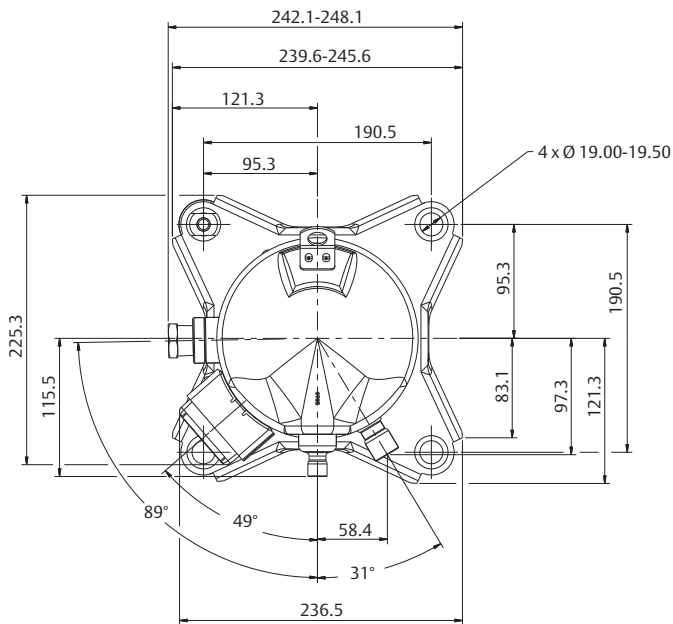


Section A-A
Scale 1:1



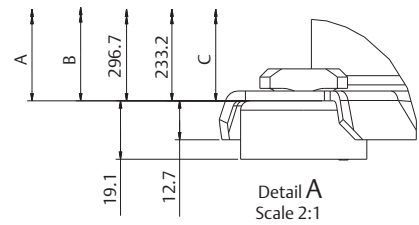
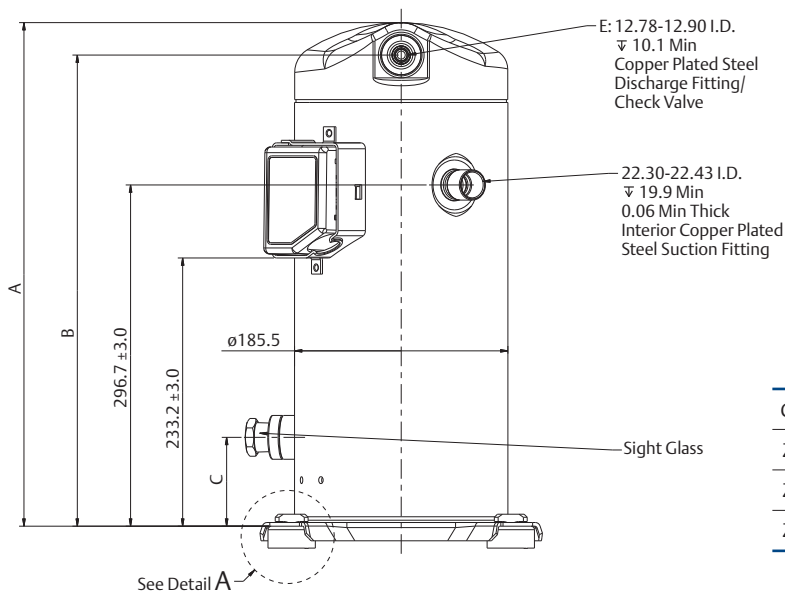
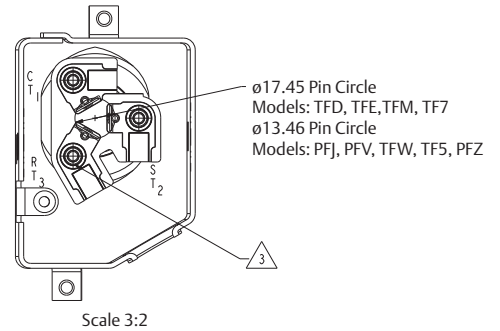
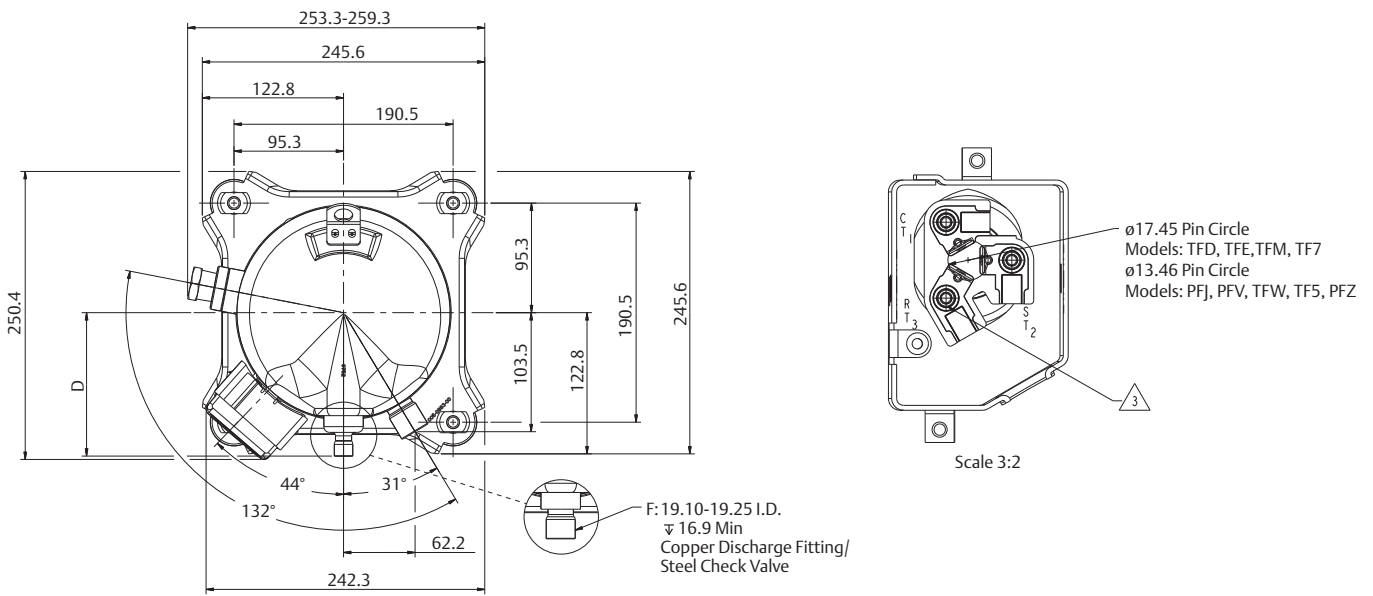
Detail FOOT
Scale 1:1

ZB15~ZB29 (BOM 558)



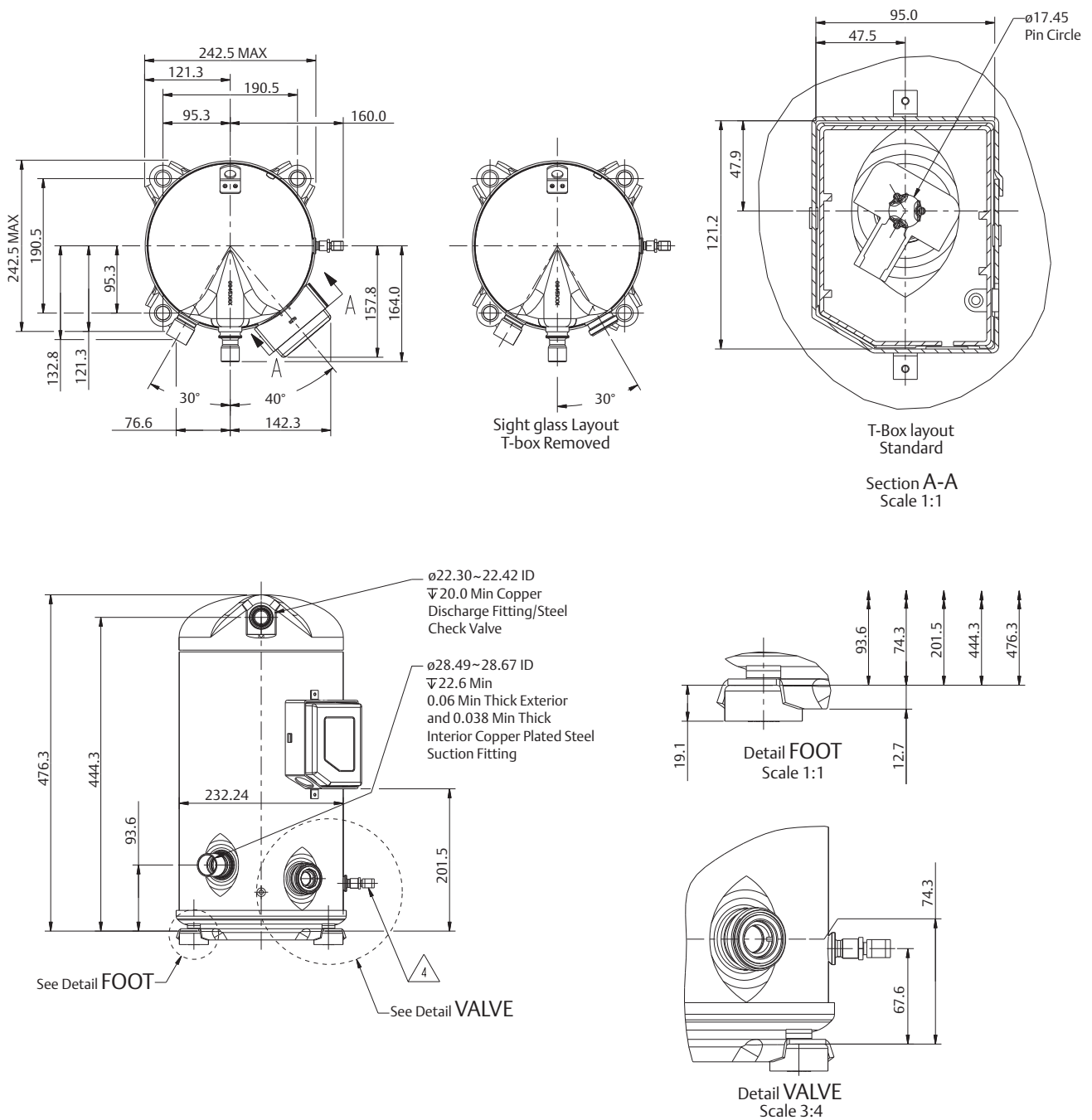
Compressor model	A±3	B±3	C±3	D±3	E±3
ZB15KQ/ZB15KQE	363.8	338.3	244.5	202.9	69.6
ZB19KQ/ZB19KQE					
ZB21KQ/ZB21KQE	386.4	360.9	264.4	222.8	64.9
ZB26KQ/ZB26KQE	400.2	372.9	277.1	235.5	77.6
ZB29KQ/ZB29KQE	417.8	389.9	294.1	252.5	67.4

ZB38~ZB48 (BOM 558)

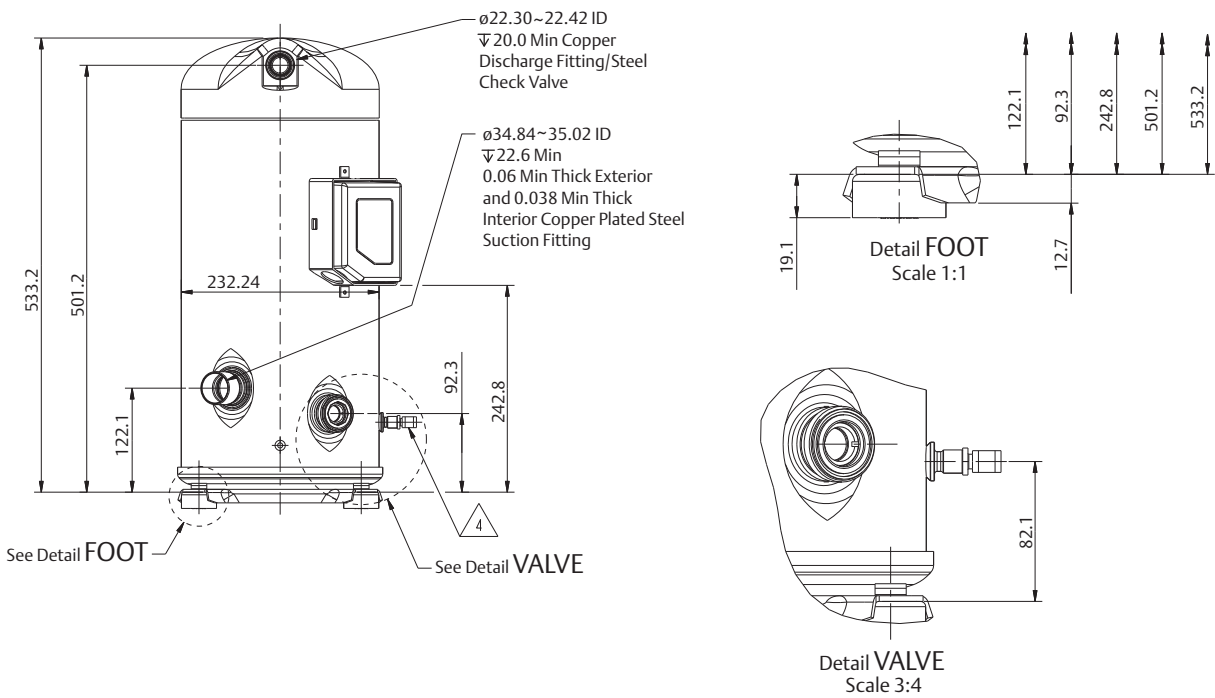
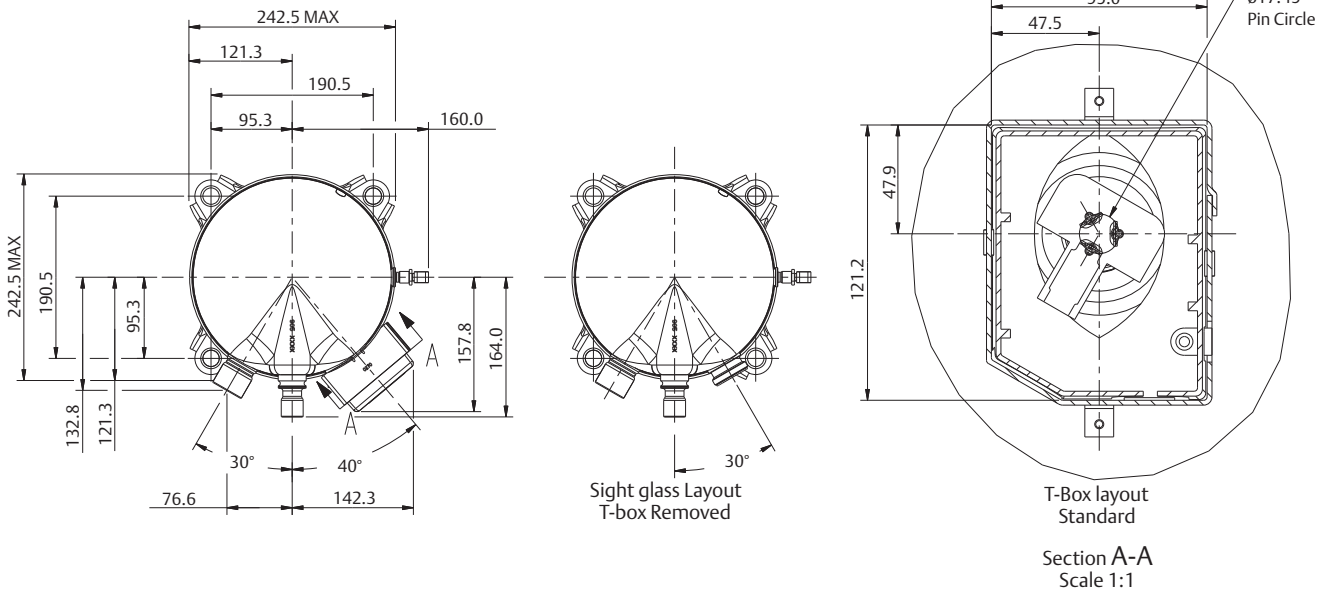


Compressor model	A \pm 3	B \pm 3	C \pm 3	D
ZB38KQ/ZB38KQE	437.7	409.6	91.3	124.7
ZB45KQ/ZB45KQE	437.7	409.6	77.2	124.7
ZB48KQ/ZB48KQE	443.4	413.7	77.2	128.7

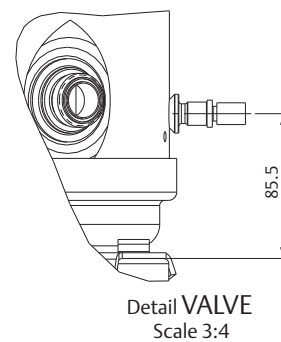
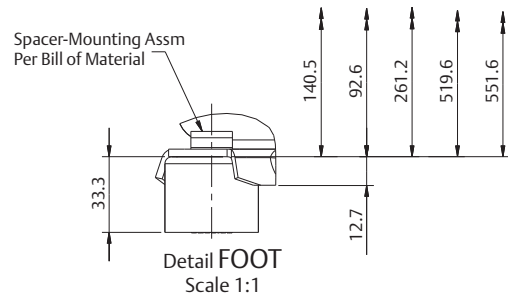
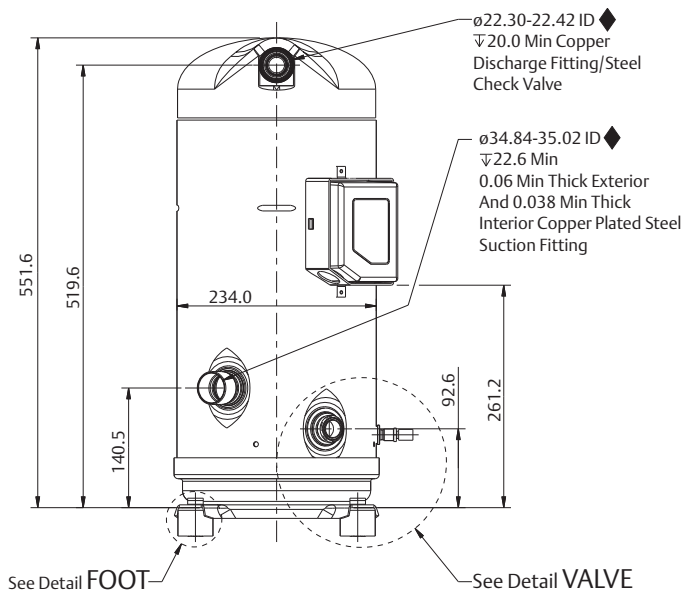
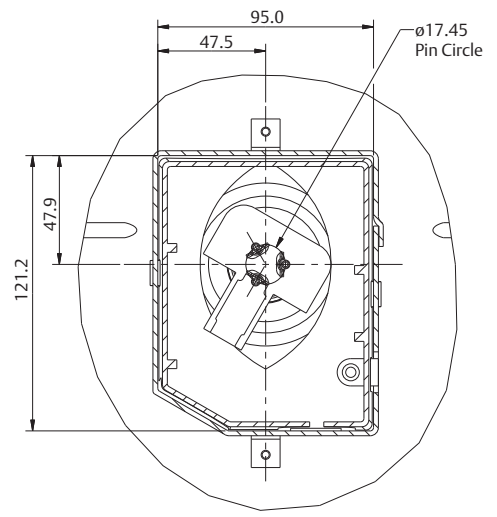
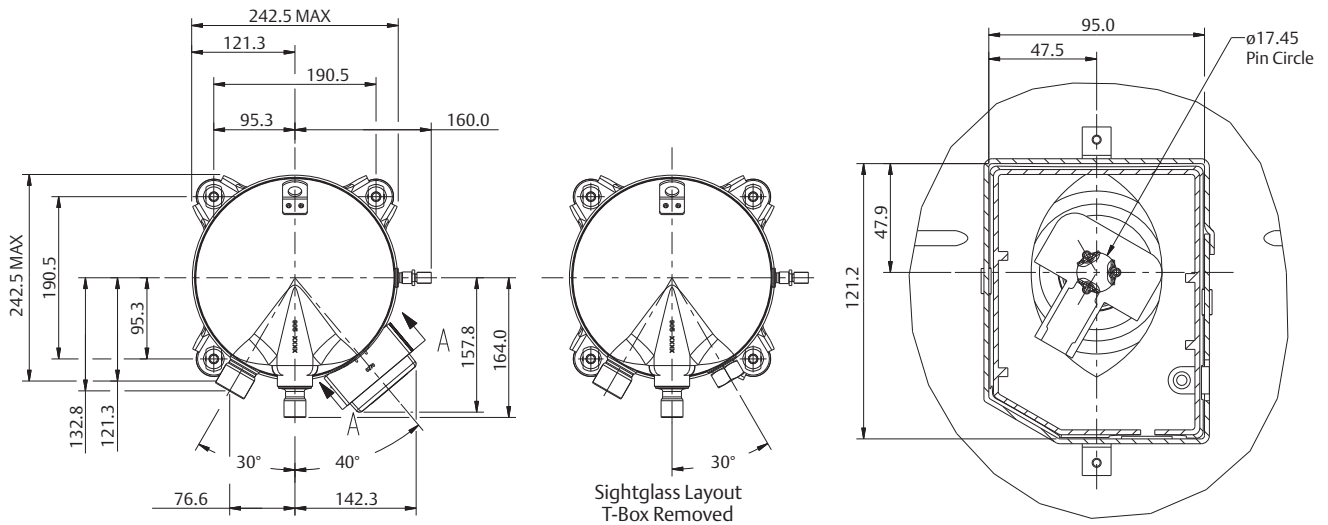
ZB58 (BOM 550)



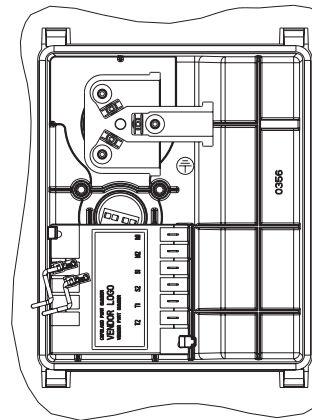
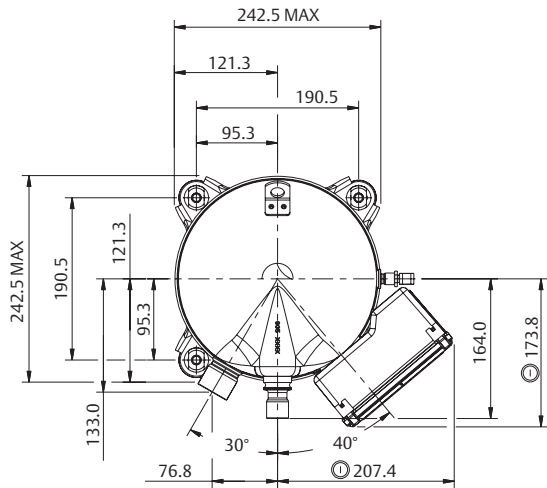
ZB66~ZB88 (BOM 550)



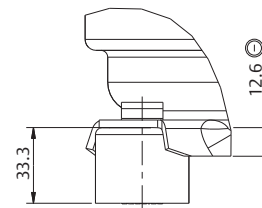
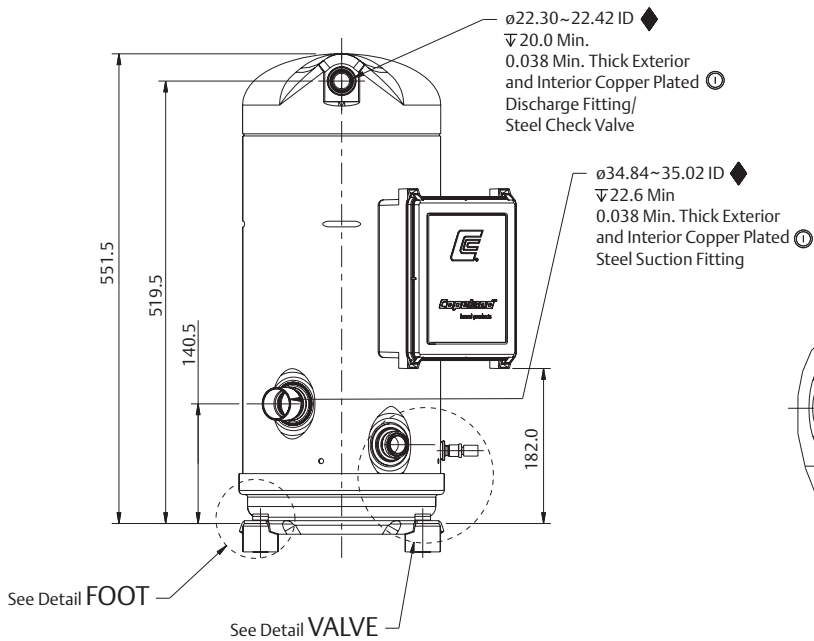
ZB95~ZB114 TFD (BOM 550)



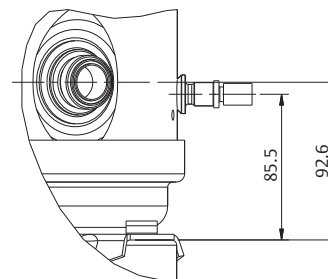
ZB95~ZB114 TW7/TW5 (BOM 550)



Terminal Box layout Standard
Scale 3:4

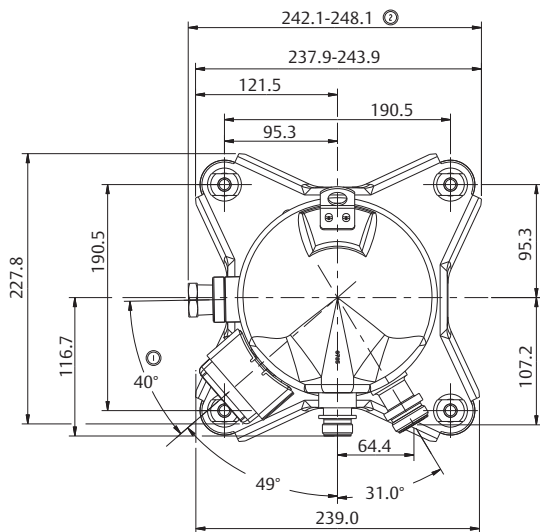


Detail FOOT
Scale 1:1

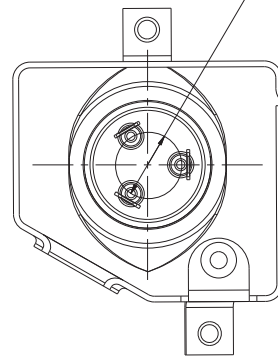


Detail VALVE
Scale 3:4

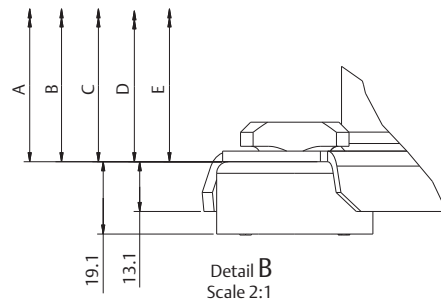
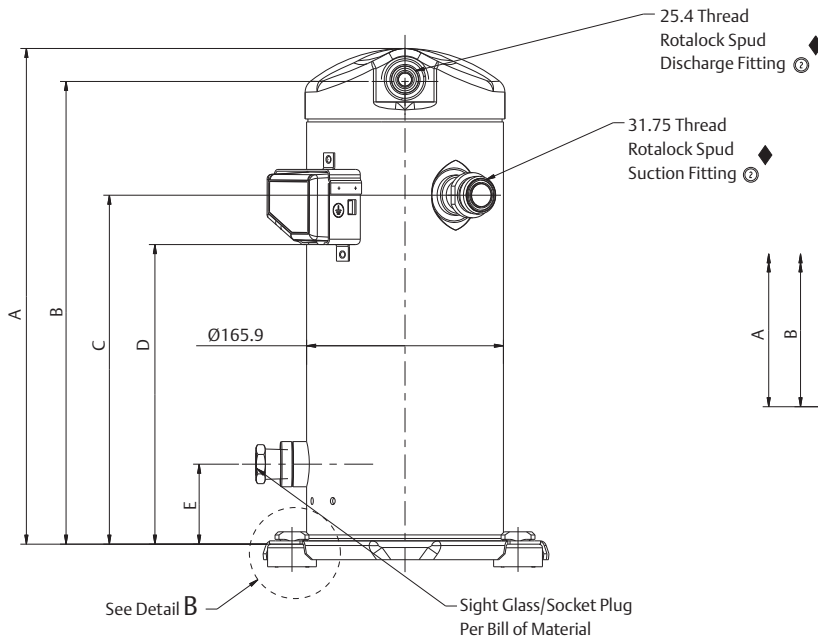
ZB15~ZB29 (BOM 559)



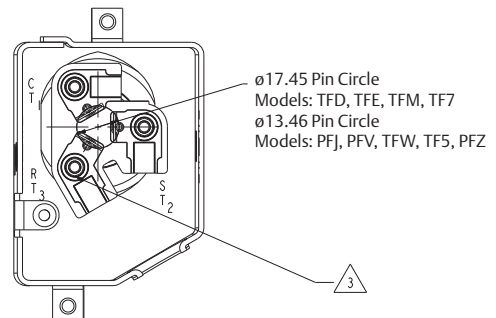
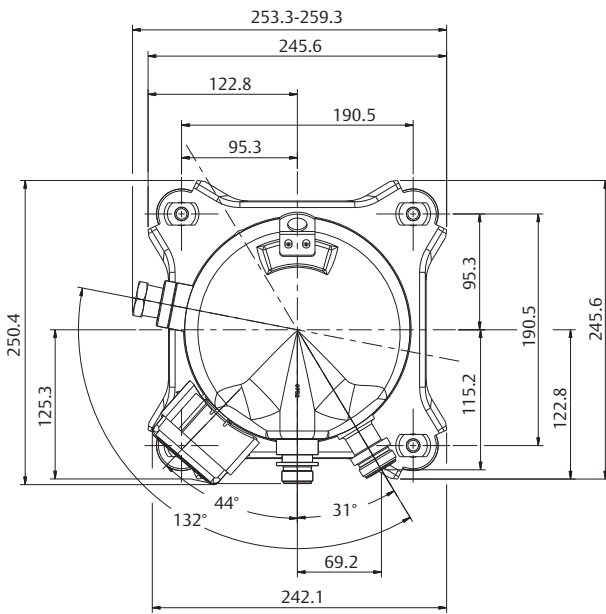
ø17.45 Pin Circle
 Models: TFD, TFE, TFM, TF7
 ø13.46 Pin Circle
 Models: PFJ, PFV, TFW, TF5, PFZ



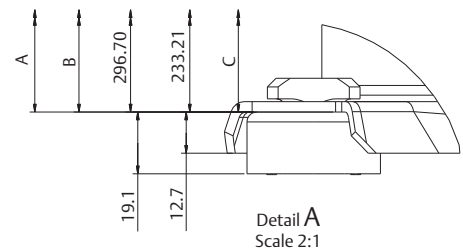
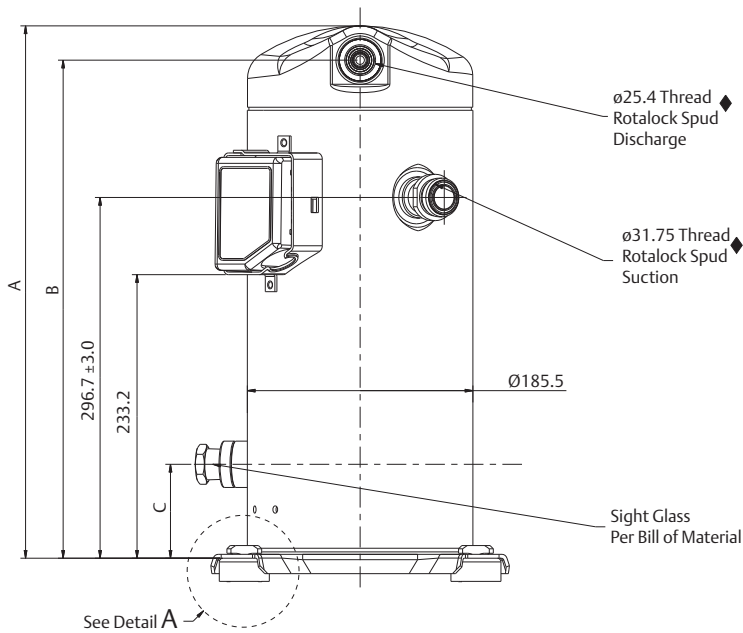
Scale 2:1



ZB38~ZB48 (BOM 559)

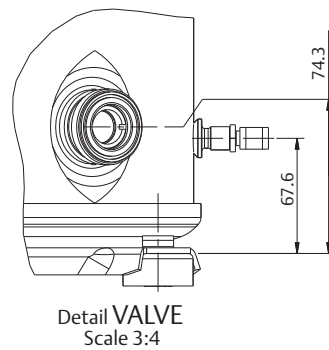
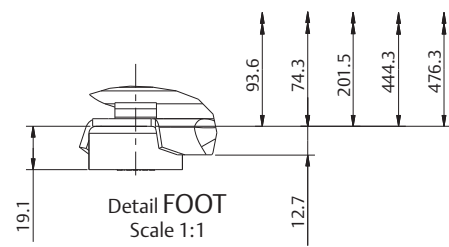
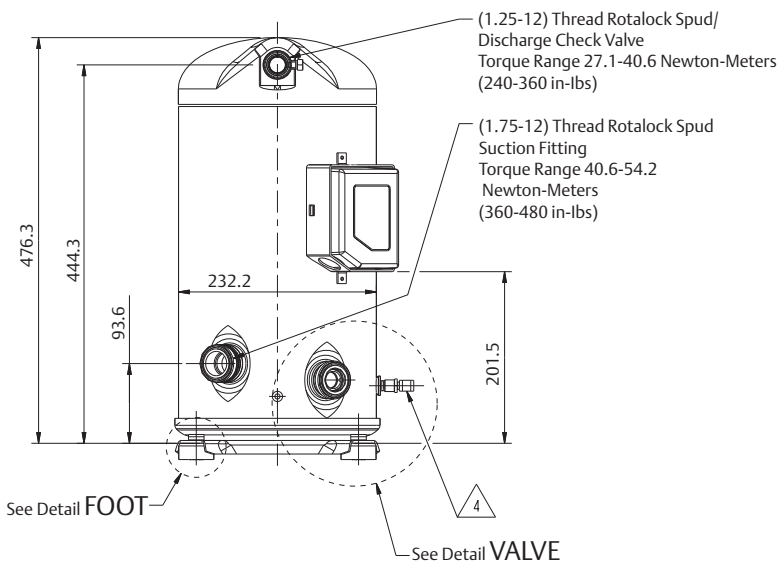
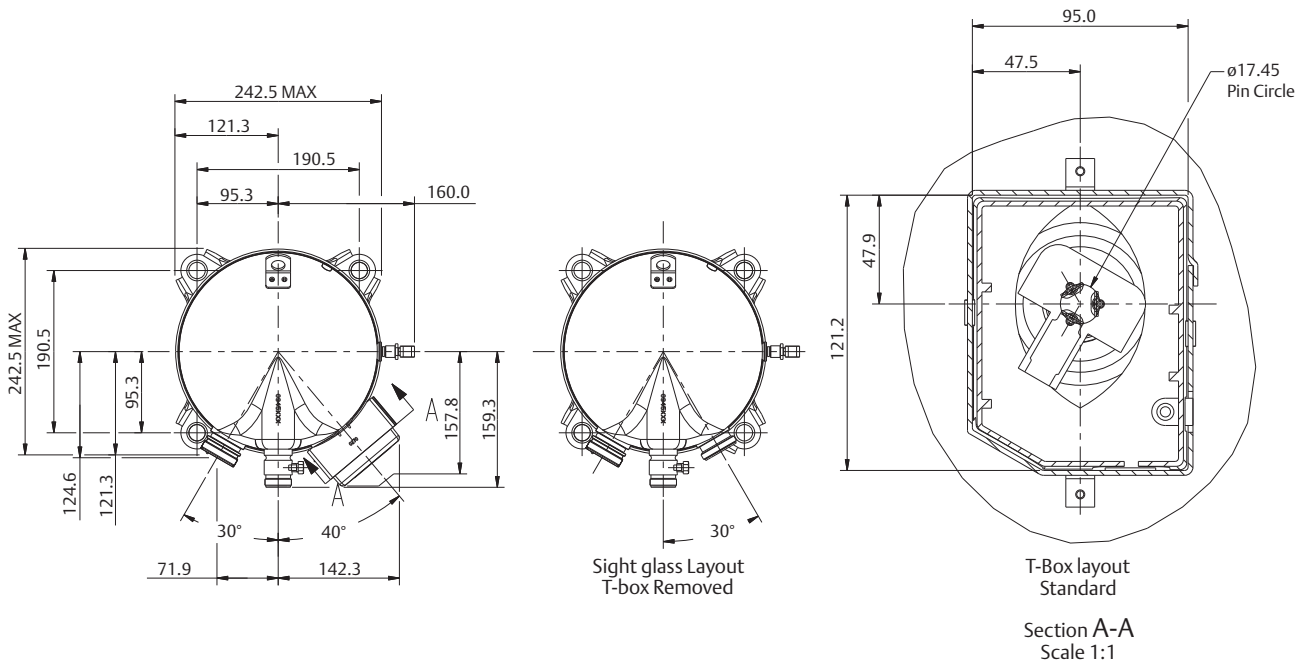


Terminal Box Layout Options
Terminal Box Cover Not Shown
View A-A
Scale 3:2



Detail A
Scale 2:1

ZB58 (BOM 551)

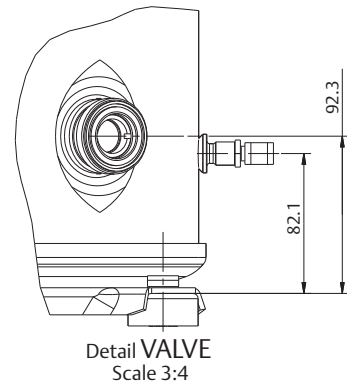
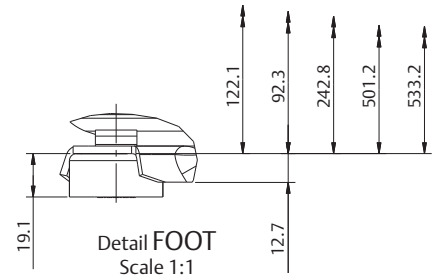
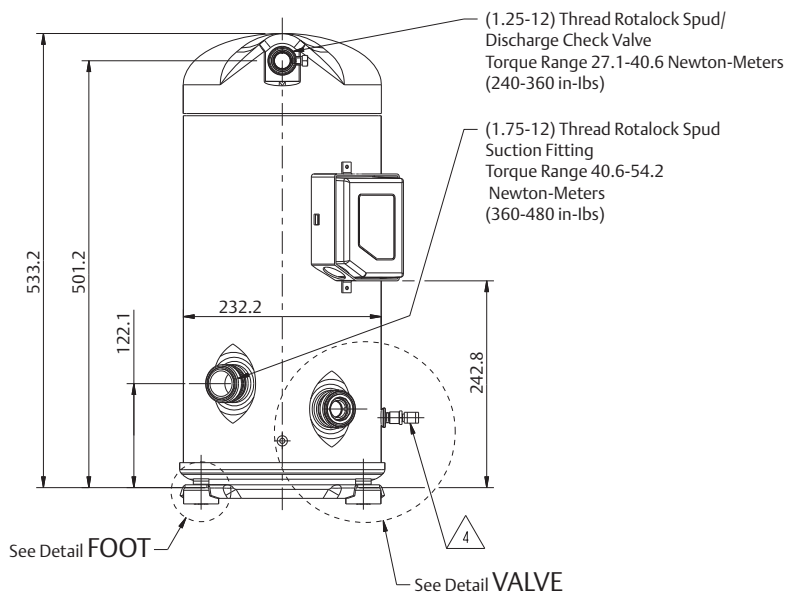
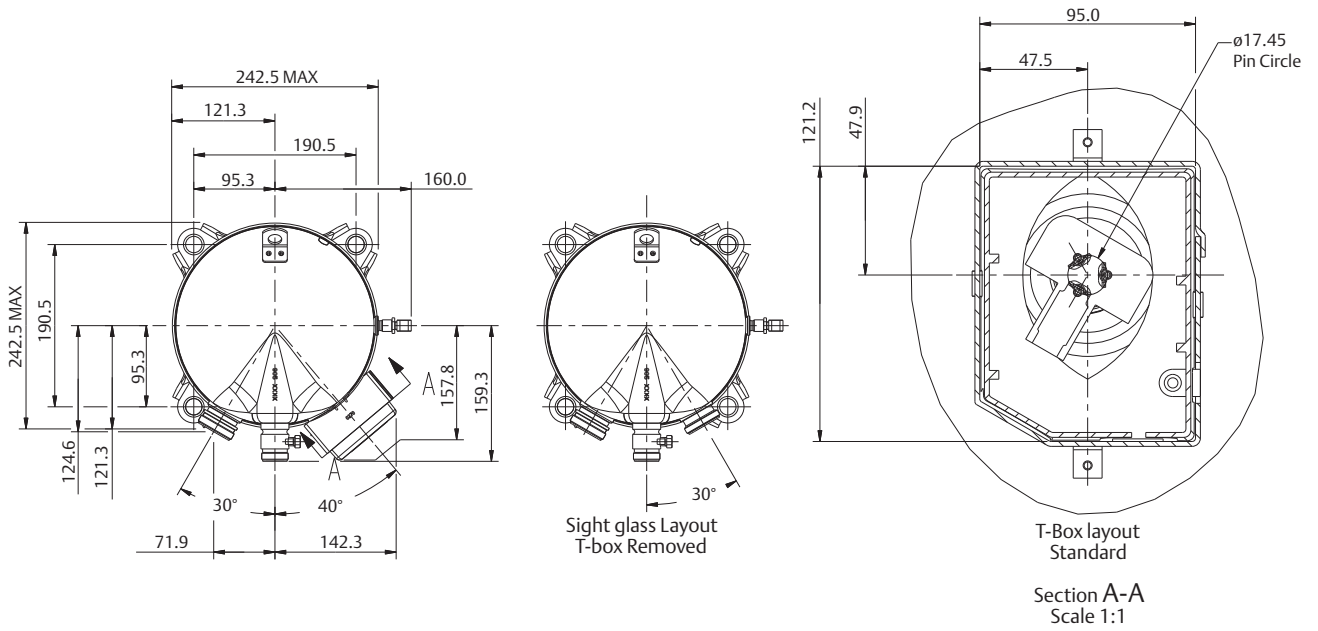


ZB Series

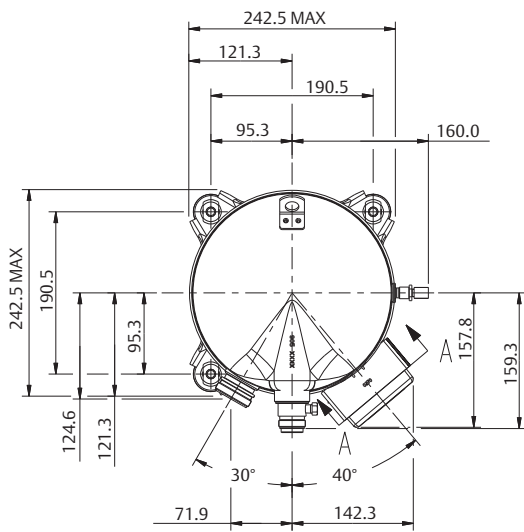
Dimensions

Rotalock, Sight Glass & Oil Schrader Valve

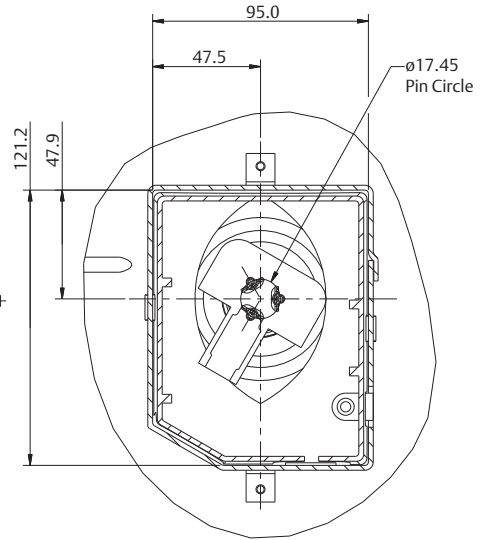
ZB66~ZB88 (BOM 551)



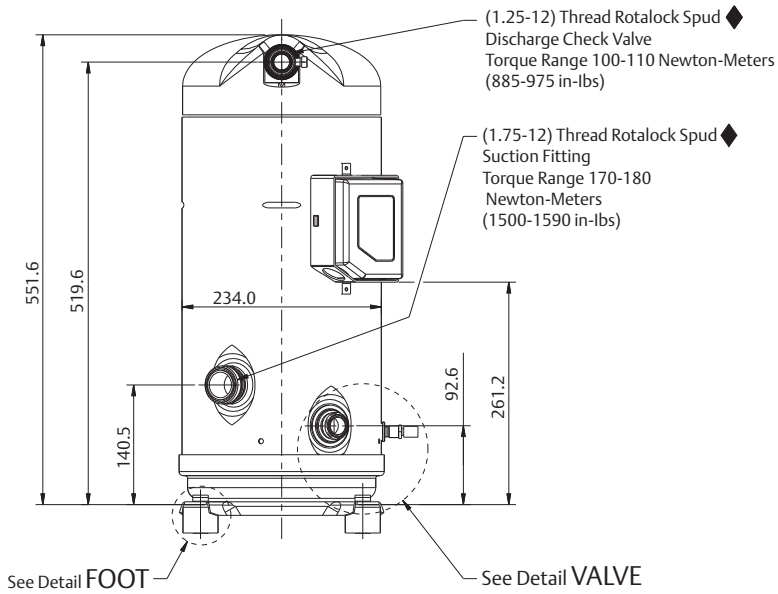
ZB95~ZB114 TFD (BOM 551)



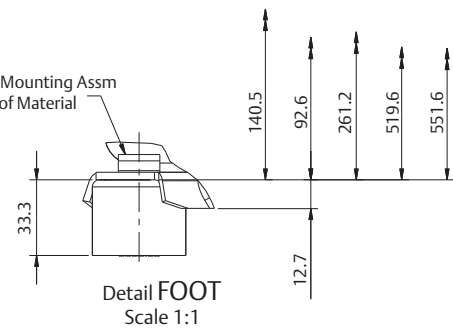
Sightglass Layout
T-Box Removed



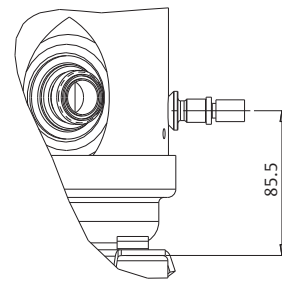
T-Box Layout
Standard
Section A-A
Scale 1:1



Spacer-Mounting Assm
Per Bill of Material



Detail FOOT
Scale 1:1



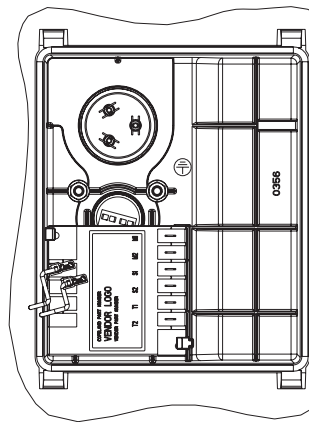
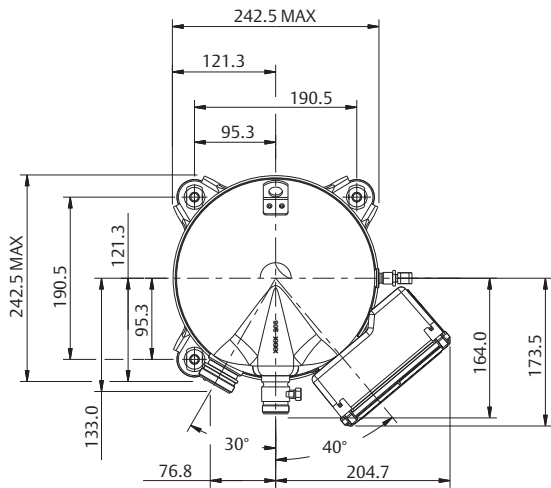
Detail VALVE
Scale 3:4

ZB Series

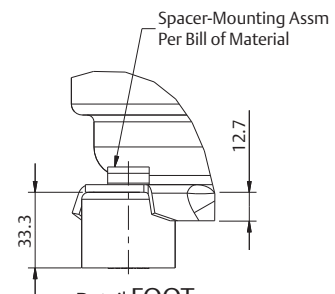
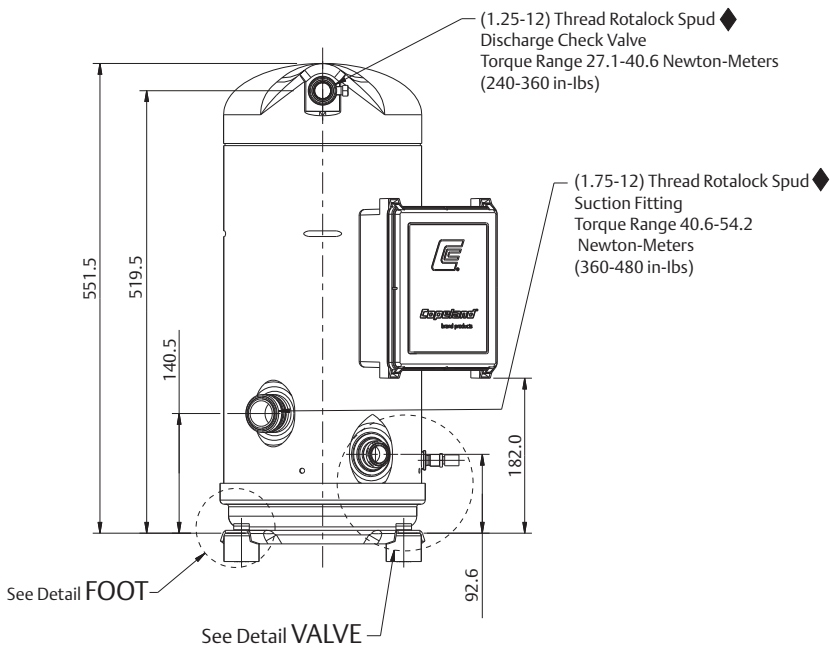
Dimensions

Rotalock, Sight Glass & Oil Schrader Valve

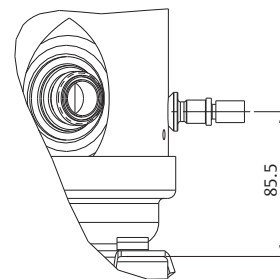
ZB95~ZB114 TW7/TW5 (BOM 551)



Terminal Box Layout Standard
Scale 3:4



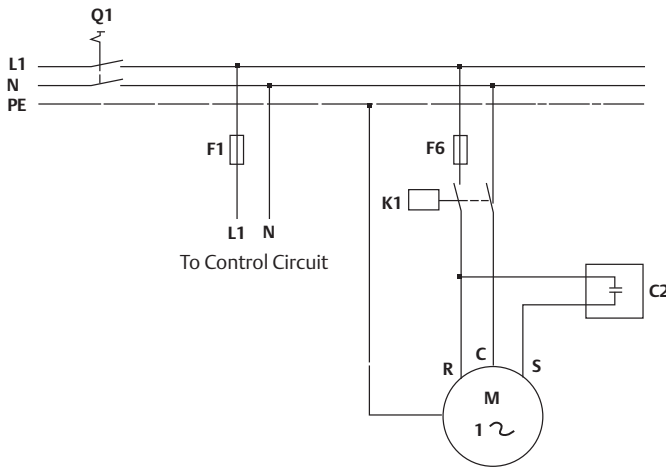
Detail FOOT
Scale 1:1



Detail VALVE
Scale 3:4

Electrical Wiring Diagram

ZB15~ZB114



Single Phase Circuit (ZB15-ZB29)

Electrical Schematics

L1/N/PE: Single Phase Lines (line/neutral/ground)

Q1: Manual Switch

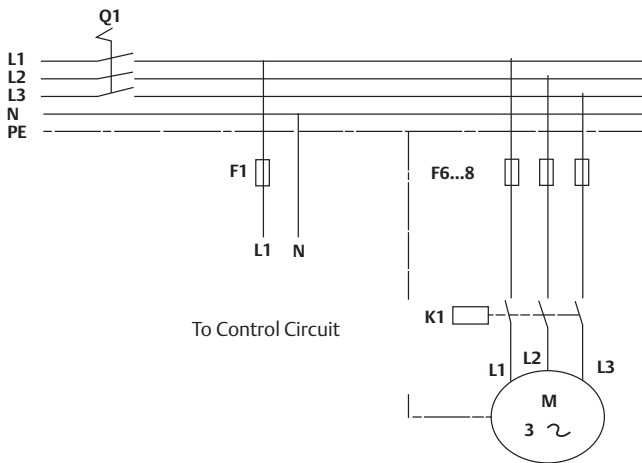
F1/F6: Fuse

K1: Compressor Contactor

C2: Run Capacitor

M: Compressor Motor

R/C/S: Compressor Terminal



3 Phase (ZB15-ZB114)

(with Motor Protection Code "F")

Electrical Schematics

L1/L2/L3/N/PE: 3 Phase Lines (line/neutral/ground)

Q1: Manual Switch

F1/F6..8: Fuse

K1: Compressor Contactor

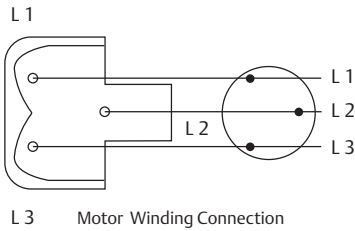
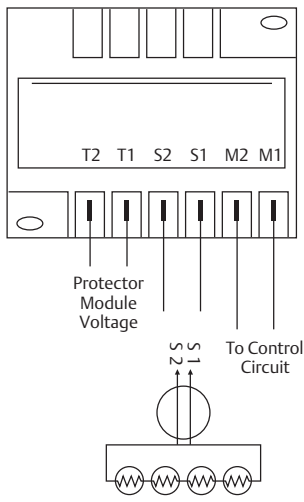
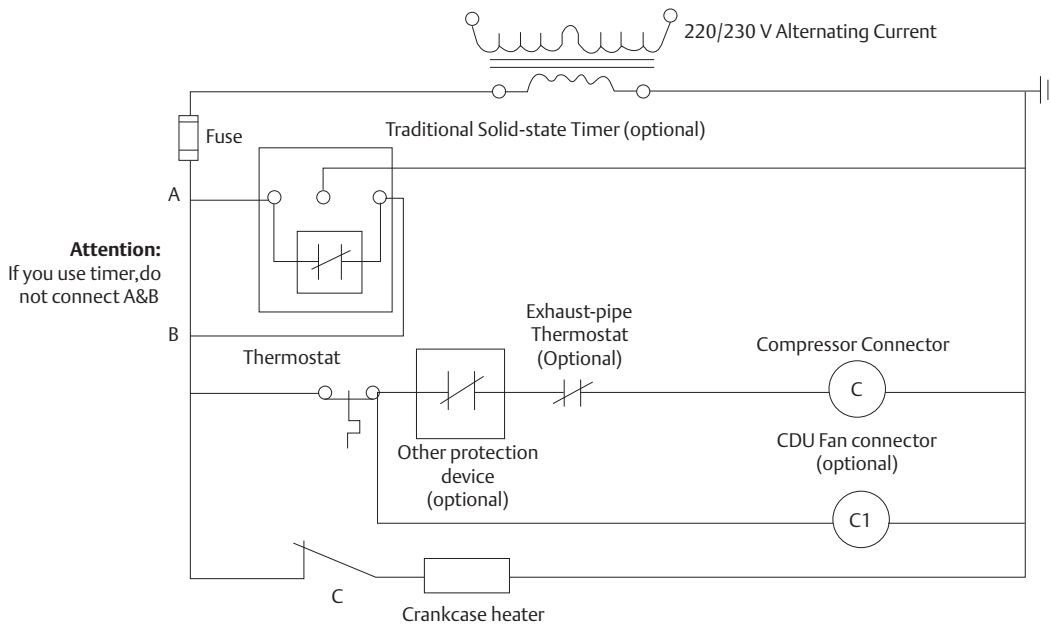
M: Compressor Motor

L1/L2/L3: Compressor Terminal

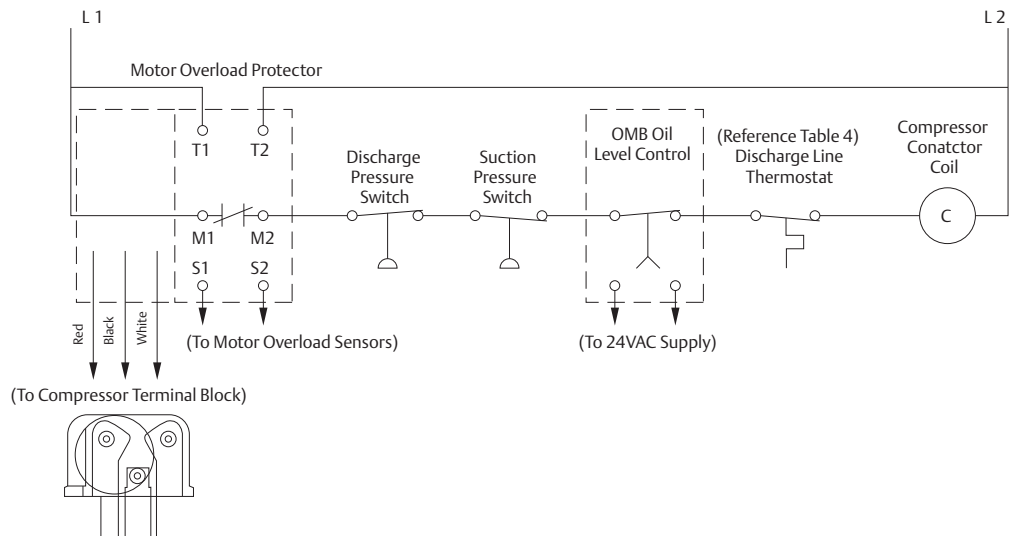
ZB Series

Electrical Wiring Diagram

ZB15~ZB114 Control Circuit



3 Phase (ZB95-114 TW*)
(with Motor Protection Code "W")



Contact us at:**Emerson Climate Technologies,
Asia Pacific Headquarters**

10/F, Pioneer Building,
213 Wai Yip Street,
Kwun Tong, Kowloon, Hong Kong.
Tel: (852) 2866 3108
Fax: (852) 2520 6227

Australia**Emerson Climate Technologies Australia Pty Ltd**

Unit R7, 391 Park Road
Regents Park, NSW 2143, Australia
Tel: (61-2) 9795 2800
Fax: (61-2) 9738 1699

China - Shanghai**c/o Emerson Climate Technologies (Suzhou) Co. Ltd
Shanghai Sales Office**

11th Floor, Innov Tower,
1801 Hong Mei Road,
XujiaHui District
Shanghai 200233, P. R. China
Tel: (86-21) 3395 0000
Fax: (86-21) 3367 8100

China - Beijing**c/o Emerson Climate Technologies (Suzhou) Co. Ltd
Beijing Sales Office**

Room 310, Canway Building
66 Nan Lishi Road, Xicheng District
Beijing 100045, China
Tel: (86-10) 6805 7825
Fax: (86-10) 6805 6301

China - Guangzhou**c/o Emerson Climate Technologies (Suzhou) Co. Ltd
Guangzhou Sales Office**

Room 508-509, R&F Yinglong Plaza
No. 76 Huangpu Road West,
Guangzhou 510623, PRC.
Tel: (86-20) 2886 7668
Fax: (86-20) 2886 7622

China - Suzhou**c/o Emerson Climate Technologies (Suzhou) Co. Ltd
Suzhou Plant**

No. 69 Suhong West Road,
Suzhou Industrial Park, Suzhou,
Jiangsu Province, P.R.C. 215021 China.
Tel: (86-512) 6257 5505
Fax: (86-512) 6257 5506

India - PUNE**Emerson Climate Technologies (India) Ltd**

Plot No. 23, Rajiv Gandhi Infotech Park,
Phase - II, Hinjewadi,
Pune 411 057, Maharashtra, India
Tel: (91-20) 2553 4988
Fax: (91-20) 2553 6350

India - Mumbai**Emerson Climate Technologies (India) Ltd**

Unit No. 4,5,6 & 7, Bhaveshwar Arcade
LBS Marg, Opp. Shreyas Cinema
Ghatkopar (West)
Mumbai 400 086, Maharashtra, India
Tel: (91-22) 2500 6630/ 2500 6632
Fax: (91-22) 2500 6570

Indonesia**PT. Emerson Indonesia**

Wisma Kota BNI 46 16th floor Suite 16.01
Jl. Jend.Sudirman Kav.1.Jakarta 10220
Tel: (62)21-2513003 ext.6000
Fax: (62)21-2510622

Japan**c/o Emerson Japan Ltd**

Shin-yokohama Tosho Building No. 3
3-9-5 Shin-Yokohama, Kohoku-ku
Yokohama 222-0033 Japan
Tel: (81-45)475 6371
Fax: (81-45)475 3565

South Korea**c/o Emerson Electric (South Korea) Ltd**

12F, Narae B/D, 719-1, Yeoksam-dong
Gangnam-gu, Seoul, South Korea 135-080
Tel: (82-2) 3483-1500
Fax: (82-2) 592-7883 / 592-7886

Malaysia**c/o Emerson Electric (Malaysia) Sdn. Bhd.**

Level M2, Blk A, Menara PKNS-PJ
Jalan Yong Shook Lin
46050 Petaling Jaya, Selangor, Malaysia
Tel: (60-3) 7949 9222
Fax: (60-3) 7949 9333

Philippines**Emerson Climate Technologies
Global Service Centre - Manila**

4th floor, San Miguel Properties Center (SMPC),
No. 7, St. Francis Avenue., Mandaluyong City
Philippines
Trunkline: (63-2) 4795-100/4795-200/4795-300
Tel: (63-2) 702 1579
Fax: (63-2) 479 5271

Taiwan**c/o Emerson Electric (Taiwan) Co. Ltd**

5th Floor, No.2 Jen Ai Road
Section 4, Taipei 10650, Taiwan
Tel: (886-2) 2325 9555
Fax: (886-2) 2702 9630/ 2784 0022

Thailand - Rayong Plant**c/o Emerson Electric (Thailand) Ltd**

No. 24 Moo 4 Tambol Pluakdaeng, Amphur
Pluakdaeng, Rayong 21140, Thailand
Tel: (66-38) 957 000
Fax: (66-38) 954 251

Thailand - Bangkok**c/o Emerson Electric (Thailand) Ltd**

34th Floor Nation Tower
1858/133 Bangna Trad
Bangkok 10260, Thailand
Tel: (66-2) 716-4700
Fax: (66-2) 751-4240

aprefrigeration@emersonclimate.com