



SHELL ASSY

COOLING SYSTEM

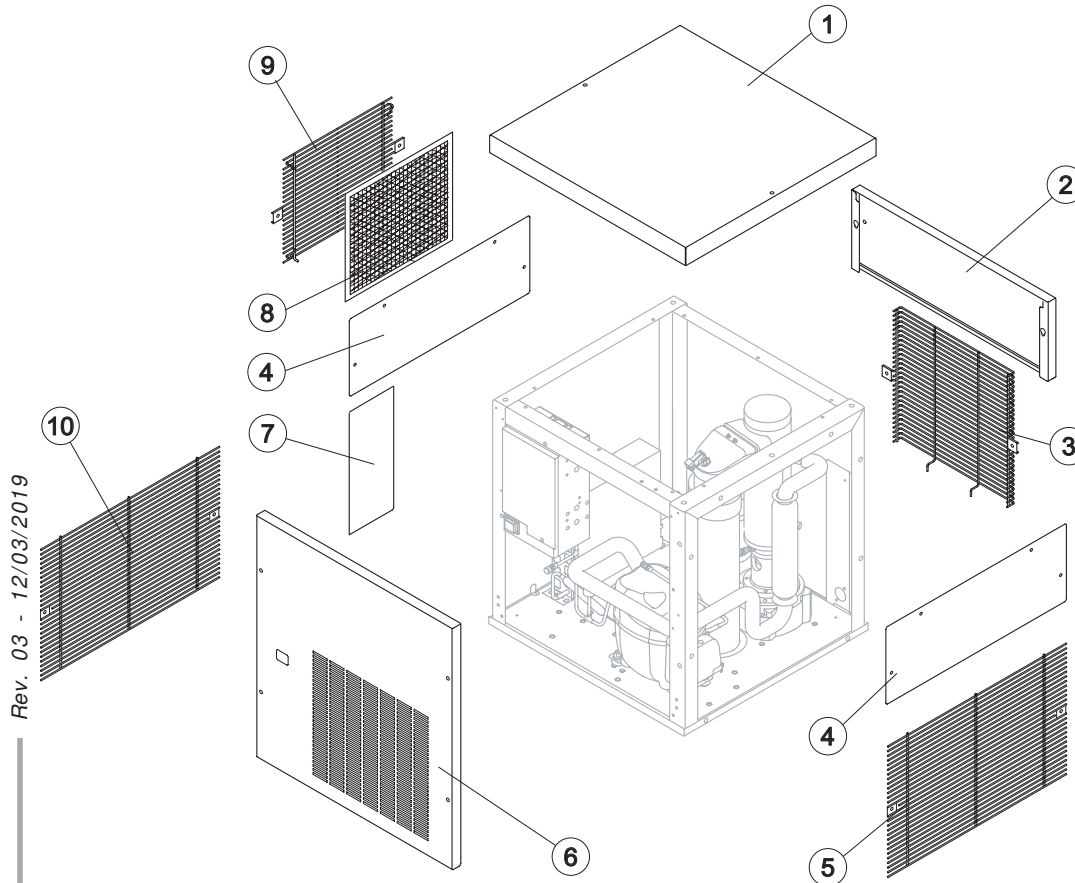
EVAPORATOR

HYDRAULIC CIRCUIT

ELECTRIC PARTS



SHELL ASSY



Rev. 03 - 12/03/2019

Common Parts

Ref.	Spare Description	Code
1	Top	221518
2	Back Panel	221513
3	Back Grill	D12091
4	Side Panel	221515
5	Right Side Grill	D12092
6	Front Panel	221511

Parts for Air-Cooled Version Only

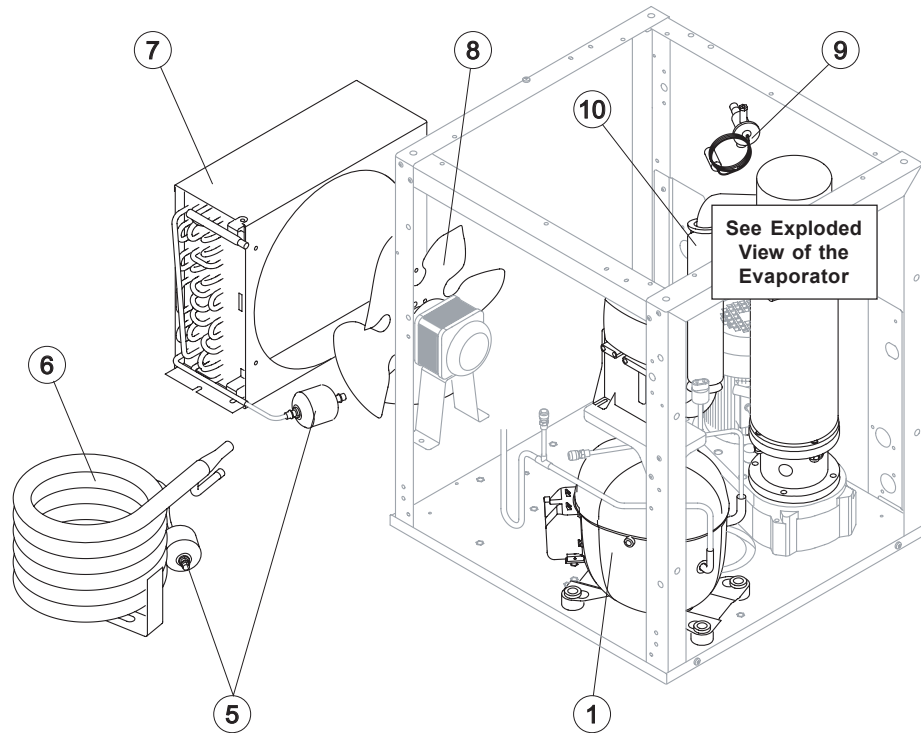
Ref.	Spare Description	Code
7	Lower Left Side Panel	221517
8*	Filter	18246
9	Left Side Grill	D12093

Parts for Water-Cooled Version Only

Ref.	Spare Description	Code
10	Left Side Grill	D12092



COOLING SYSTEM



Common Parts

Ref.	Spare Description	Code
1	Compressor	See Table
5*	Molecular Drier	14089
9	Expansion Valve	20991
10	Suctin Line	for the spare parts code give us the s/n.

Parts for Air-Cooled Version Only

Ref.	Spare Description	Code
7	Air Condenser	20924
8	Sucking Fan	20407

Parts for Water-Cooled Version Only

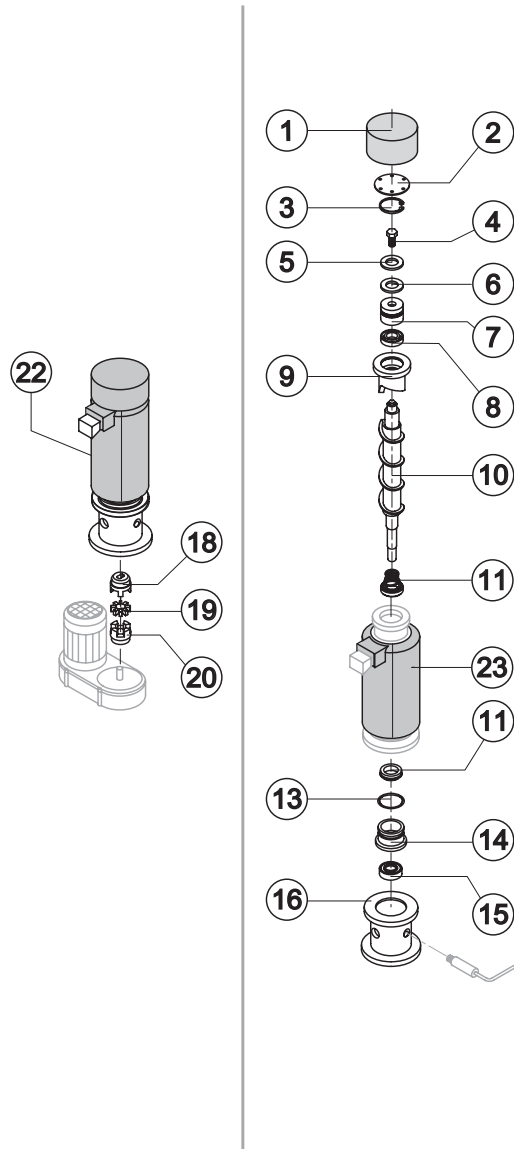
Ref.	Spare Description	Code
6	Water Condenser	14678

Rif. 1 - Compressor

Voltage	Code
220/240V 50 Hz	23986
220/230V 60 Hz	23964



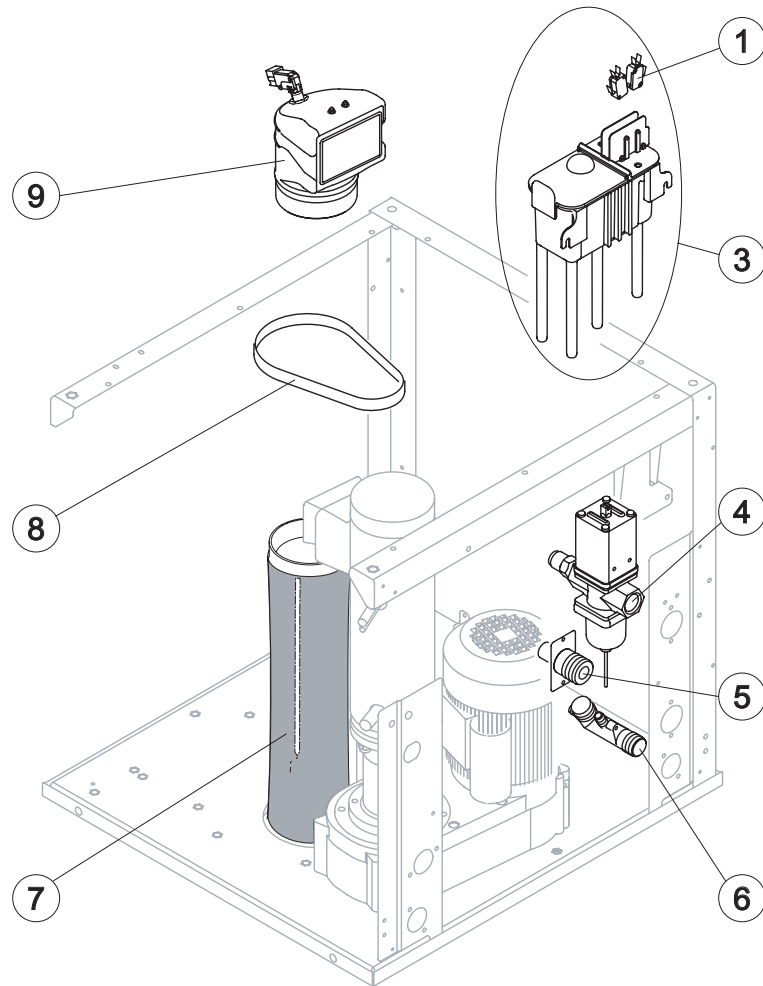
EVAPORATOR



Ref.	Spare Description	Code
1	Insulating Cap	18167
2	Closing Disk	22649
3	Seeger	20116
4	Stainless Steel Screw	20664
5	Shimming Disk	22829
6	Self-Lubricating Disk	20639
7	Stainless Steel Thrust Bearing	20685
8	OR Gasket 4137	20689
9	Ice Breaker	201233
10	Auger	20684
11	Ceramic Seal	20633
13	OR Gasket 3218 NBR	20655
14	Reduction Ring	20659
15	Stainless Steel Bearing	20112
16	Flange	20644
18	Semi-Joint Upper	D20654
19	Vibration-Damping Elastomer	20494
20	Semi-Joint Lower	D20493
22	Evaporator Assy	C11114
23	Insulating Cap	18182



HYDRAULIC CIRCUIT



Common Parts

Ref.	Spare Description	Code
1	Microswitch	23055
3*	Double Switch Basin Assembly	C10685
6	Discharges Manifold	10579
7	Ice Outlet Pipe with Bin Bulb Holder	C10656
8	Locking Exhaust Strip	25049
9*	Ice Exhaust with micro Assy	C10585

Parts for Water-Cooled Version Only

Ref.	Spare Description	Code
4	Water regulating valve assembly	C20967
5	Drain manifold	20984



ELECTRIC PARTS

Common Parts

Ref.	Spare Description	Code
1	Anti Radio Interference Filter 50Hz	C23457
2	Safety Pressure-Switch	23342
3*	1 Way- Water Inlet Valve	23115
4	Rotation Sensor	231028
5	Gearmotor	231030
6	Low Pressure Safety Switch	23909
8*	Green Light Switch (On-Off)	23327
10*	Contactor	See Table
11*	Bin Thermostat	R231035

Parts for Air-Cooled Version Only

Ref.	Spare Description	Code
7*	Fan Motor	23121
9*	Condenser Pressure Switch	23175
12	Anti Radio Interference Filter 50Hz	C23459

Rif. 10* - Contactor

Voltage	Code
220/240V 50 Hz	23147
220/230V 60 Hz	23963

Rev. 03 - 12/03/2019

